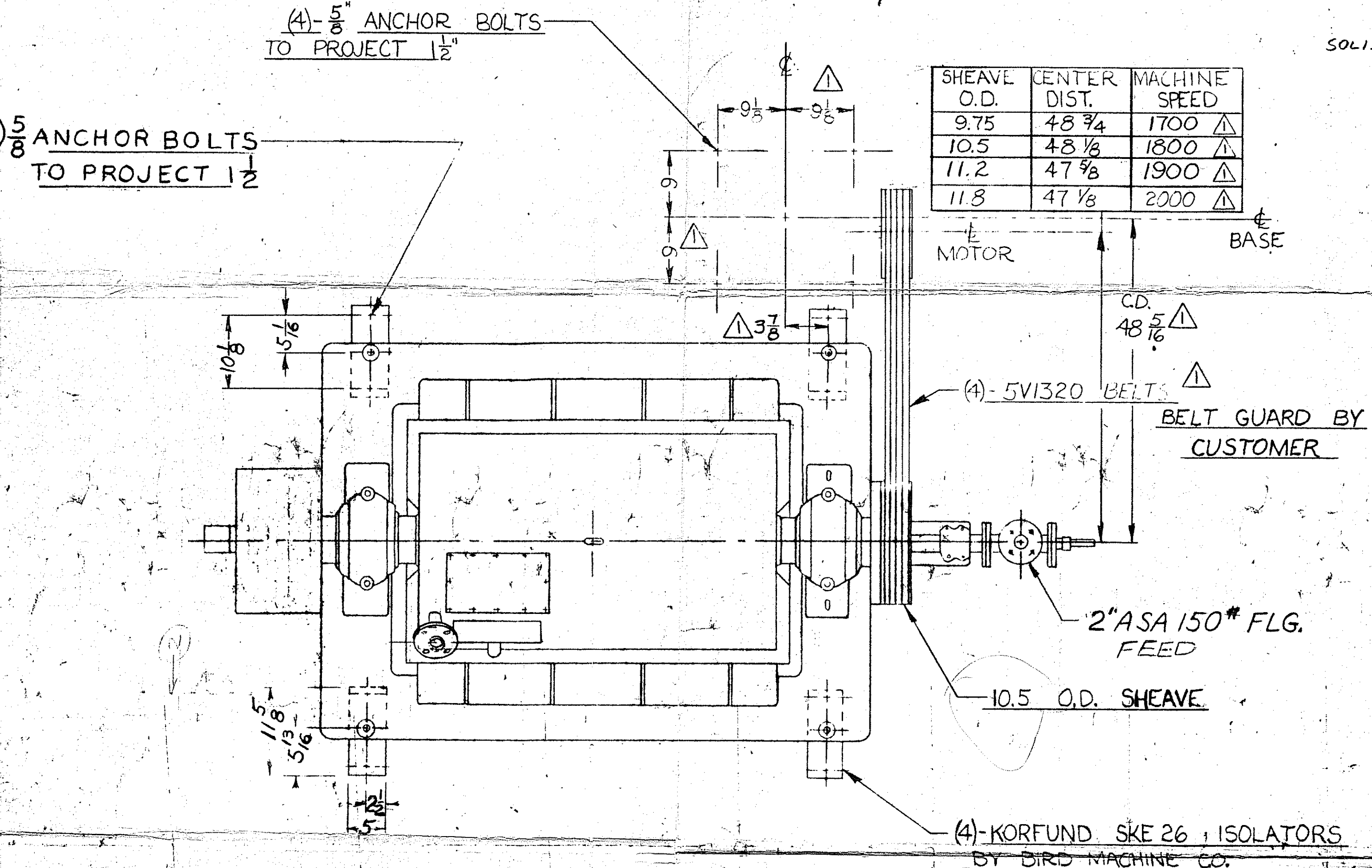
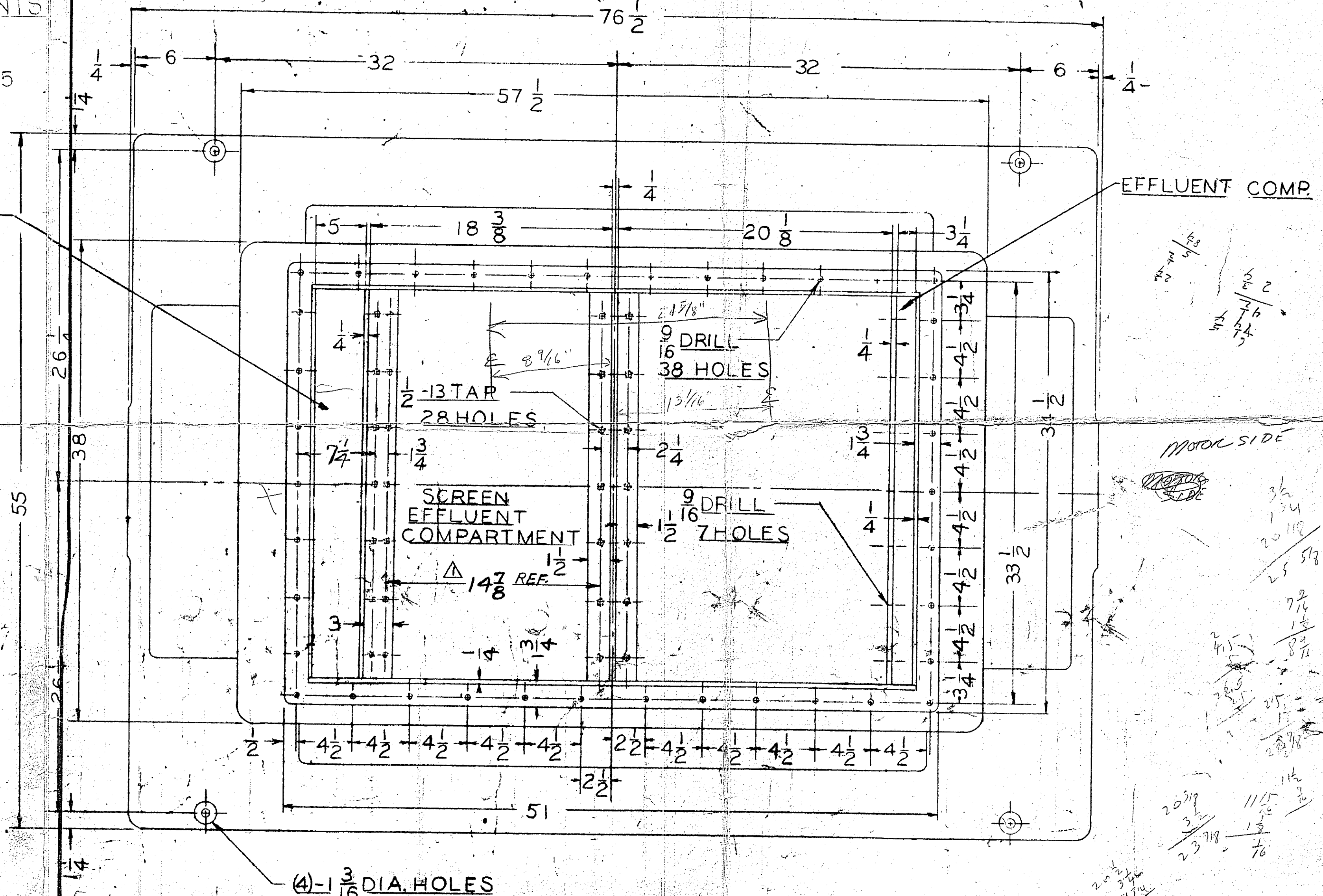


RECOMMENDED VENTING EFFLUENT AND SCREEN HOPPER IF SEPERATE, 5" DIA. VENTS WITH SUFFICIENT VERTICAL LEG. CONSULT BIRD OPERATING MANUAL FOR DESCRIPTION AND FUNCTION AND S-4265 FOR LOCATION.



SHEAVE O.D.	CENTER DIST.	MACHINE SPEED
9.75	48 3/4	1700
10.5	48 1/2	1800
11.2	47 3/8	1900
11.8	47 1/8	2000



MAX. ALLOWABLE LOAD WHICH MAY APPLIED TO:
 1. EFFLUENT COMPARTMENT FLANGE
 2. SCREEN EFFLUENT FLANGE
 3. SOLID COMPARTMENT FLANGE

250 #
 250 #
 250 #

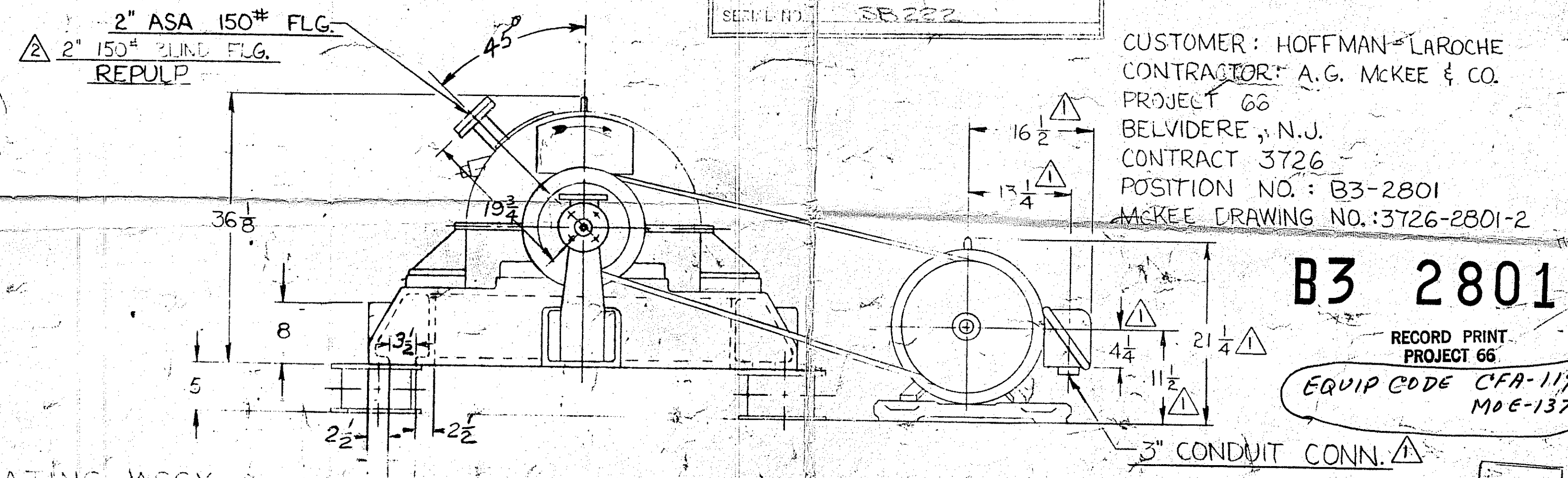
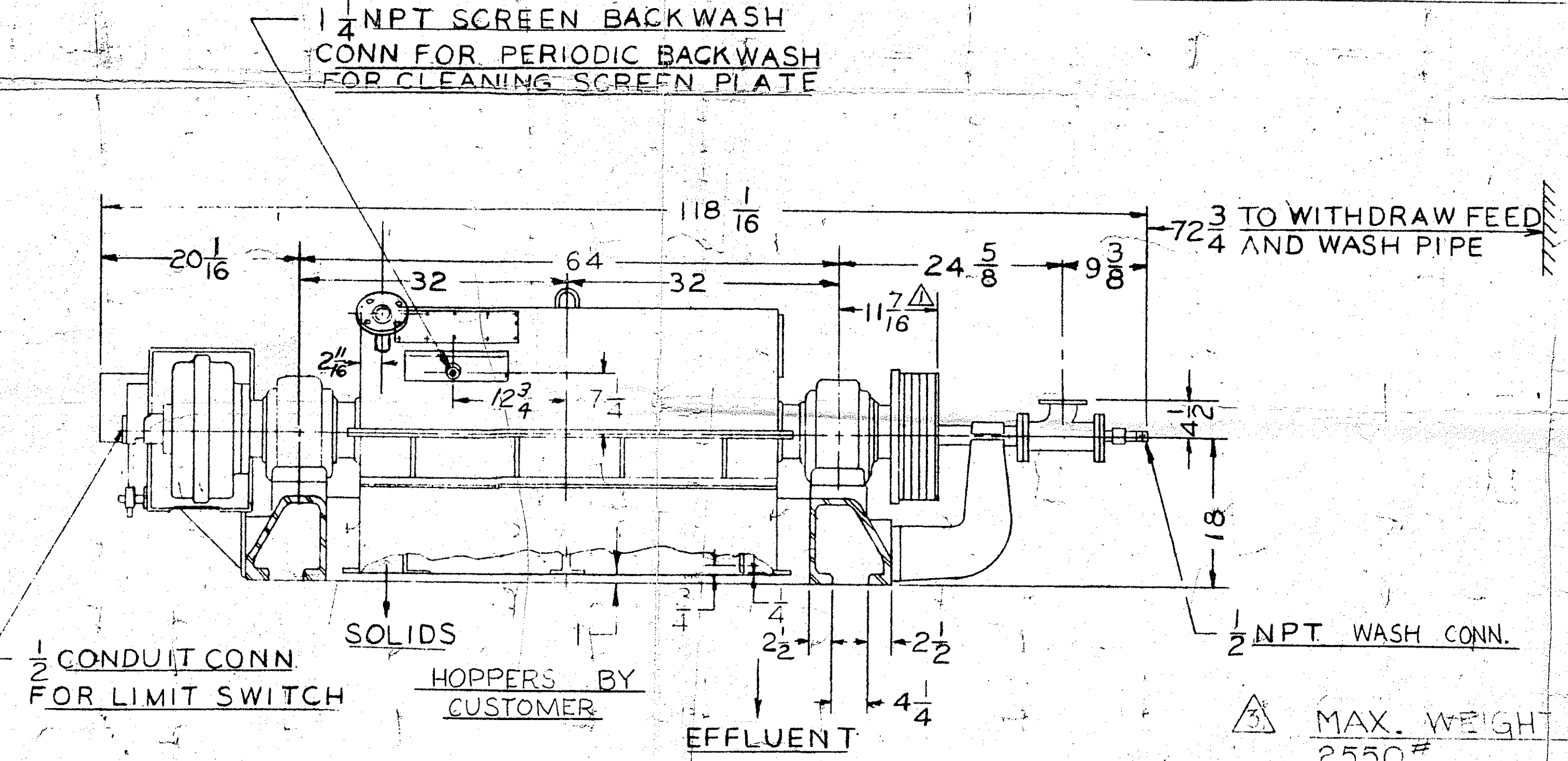
BOTTOM VIEW SHOWING HOPPER MOUNTING FLANGES
 SCALE: NONE

NOTE: FOXBORO DYNALOG TORQUE CONTROLLER
 CROUSE-HINDS SUB-3171-02 AMMETER FURNISHED BY BIRD MACHINE CO.

FOR INSTALLATION
 FOR HOFFMAN LAROCHE
 S.O. C-12 S.O.E262102B
 BY: [Signature] DATE 10-26-70
 SERIAL NO. 35232

CUSTOMER: HOFFMAN LAROCHE
 CONTRACTOR: A.G. MCKEE & CO.
 PROJECT 66
 BELVIDERE, N.J.
 CONTRACT 3726
 POSITION NO.: B3-2801
 MCKEE DRAWING NO.: 3726-2801-2

B3 2801
 RECORD PRINT PROJECT 66
 EQUIP CODE CFA-119 MOE-1373



MAX. WEIGHT OF STATING ASSY. 2550 #

WEIGHTS
 CENTRIFUGE: 500 #
 MOTOR: 50 #

NOTE: EFFLUENT DISCHARGE, FEED, REPULP, SCREENWASH, & WASH CONNECTIONS SUBJECT TO 1/2\"/>

MAKE	FRAMETYPE	H P	R P M	PHASE	CYCLE	VOLTS	SERIAL NO.
WANCE	3G4T	50	1770	3	60	460	

CLASS 1, GROUP D, DIV. WITH HIGH THERMAL ROTOR SLIDE PAIR, & GROUND LUG IN CONDUIT BOX

FULL LOAD CURRENT 62 AMPERES @ 460 VOLTS
 LOCKED ROTOR CURRENT 346 AMPERES @ 460 VOLTS
 CLASS "B" INSULATION

POSITION NO B3-2801
 EQUIP. CODES: CFA-119 & MOE-1373

OUTLINE & FOUNDATION
 #99691
 CFA-119 OFLBI-1462Z3

DRWN. BY	SCALE	DATE
B3	1"=1'-0"	11-17-69

PRINT MADE
 NOV 19 1969
 HOFFMAN LAROCHE