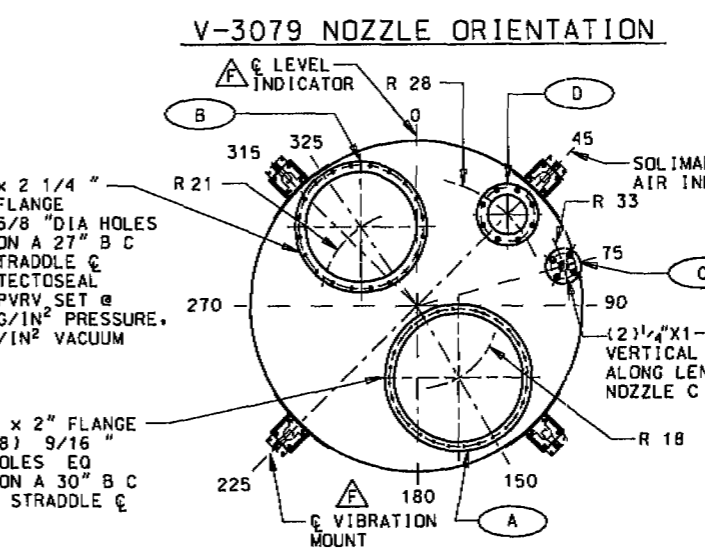
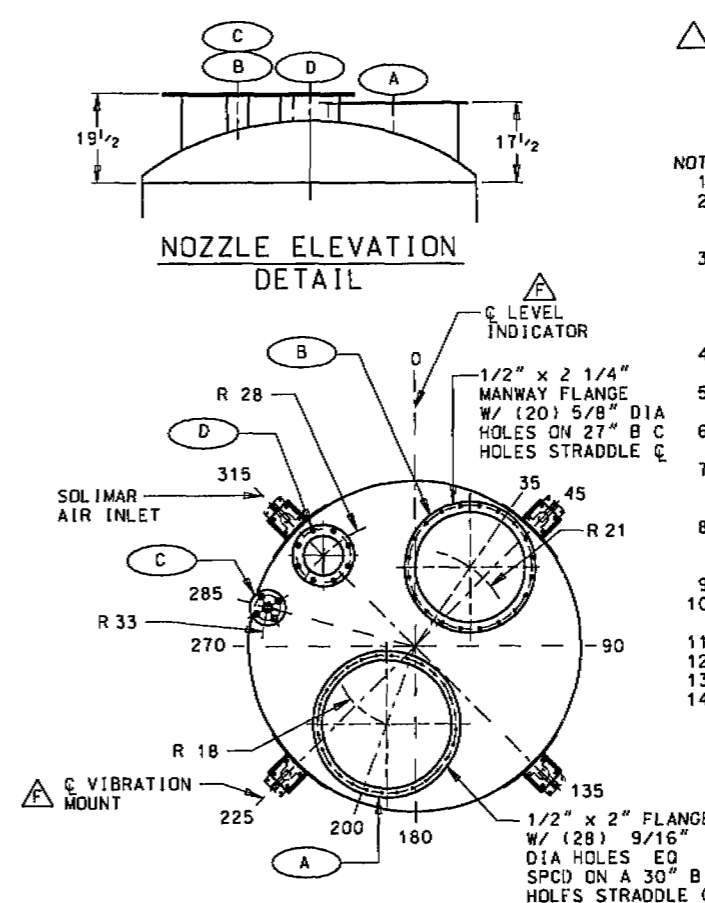
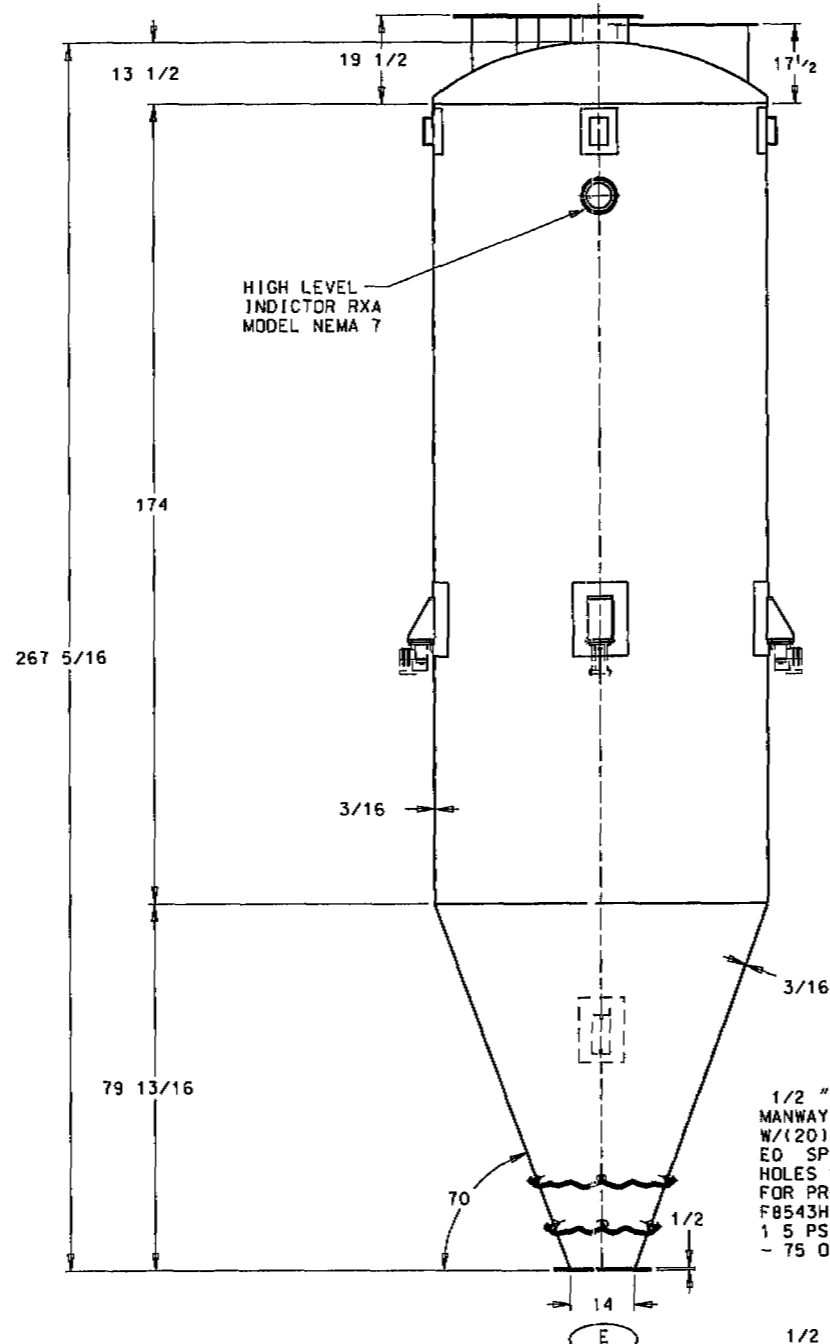
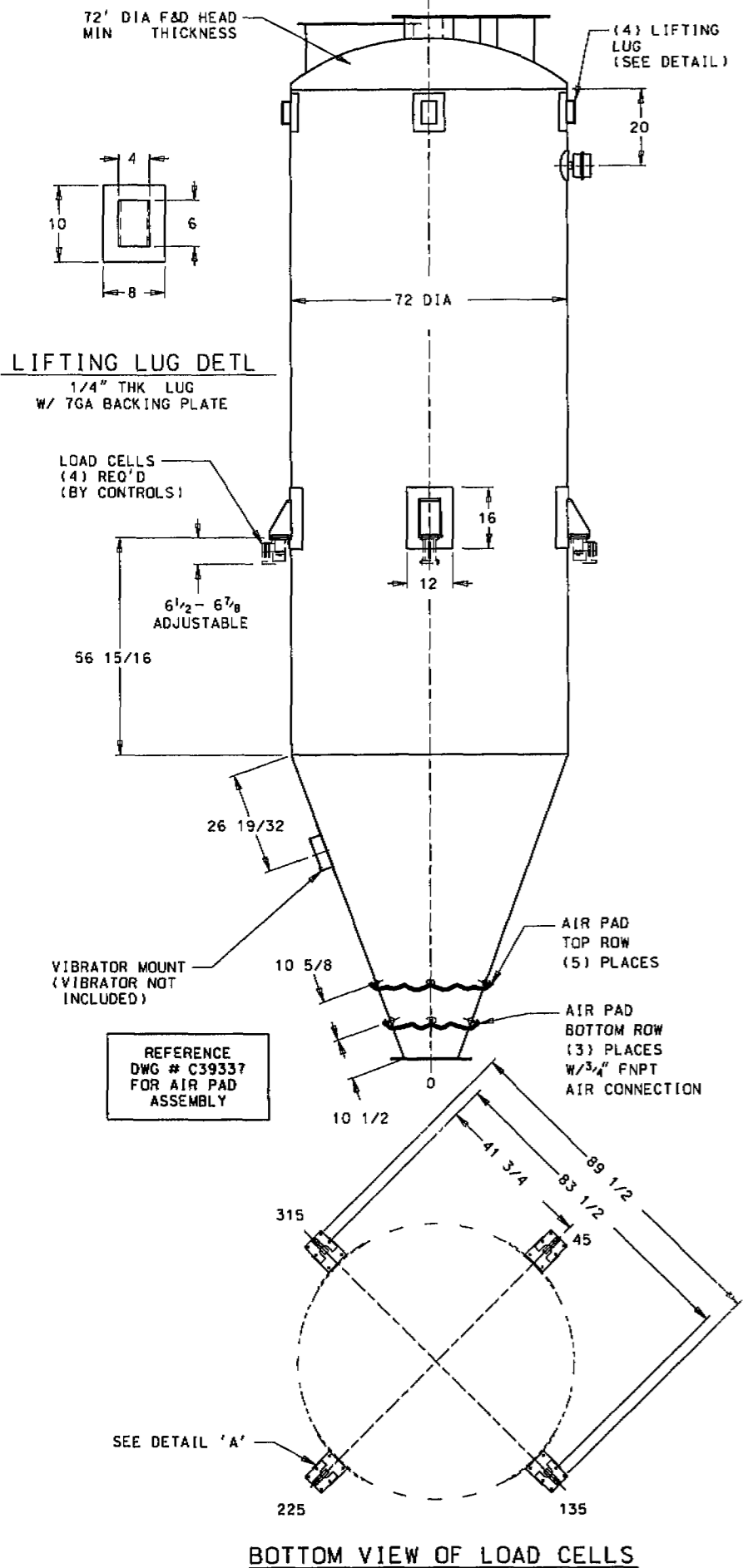
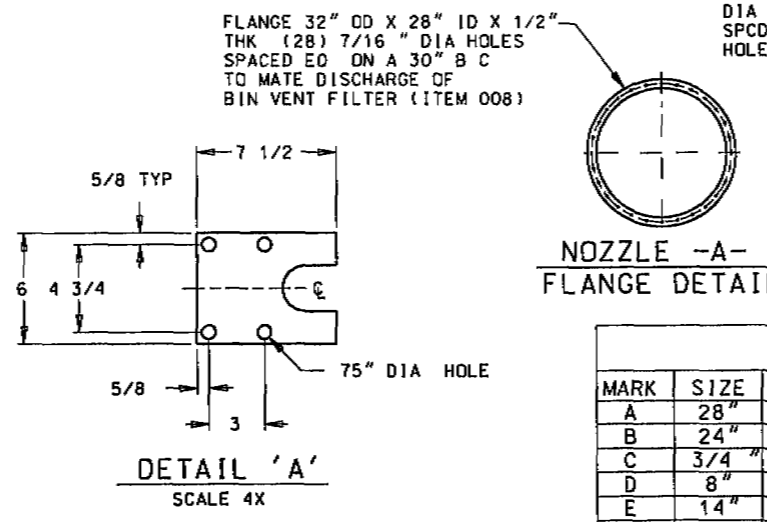
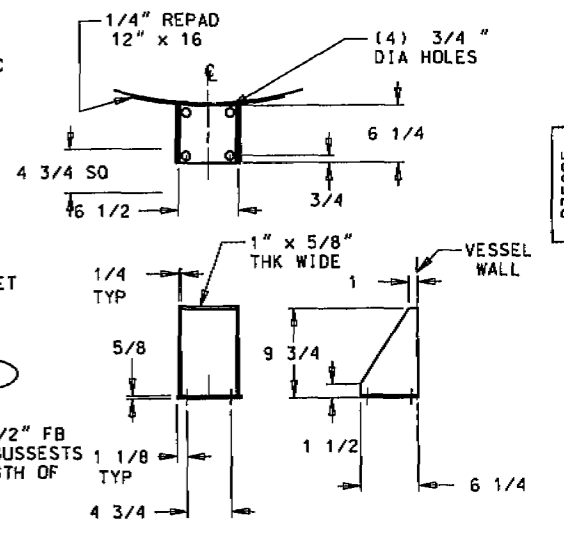


REVISIONS			
LTR	DESCRIPTION	DATE	BY
F	REVISED & RELEASED FOR CUST INFO	12/01/98	TN



- NOTES
- ALL DIMENSIONS ARE IN INCHES
 - UNIT CONSTRUCTED OF 316L S S DESIGN PRESSURE 14.9 PSIG INTERNAL HYDROTEST NOT REQUIRED
 - INTERIOR WELDS TO BE GROUND SMOOTH TO CG 80 GRIT FINISH IF POSSIBLE EXTERIOR WELDS CONTINUOUS AND CLEANED FREE OF WELD SLAG AND SPLATTER WHERE POSSIBLE
 - DISCHARGE FLANGE WITH TRANSITION TO MATE DISCHARGE BLOCK VALVE
 - LOAD CELLS AS SPECIFIED IN PROCESS CONTROLS SECTION
 - LEVEL INDICATOR MOUNTED FOR HIGH LEVEL INDICATION, NEMA 7
 - AERATION NOZZLES SS STEM, WHITE DISK PIPED AND MOUNTED IN HOPPER WITH AIR SUPPLY CONTROL VALVE
 - PRESSURE REGULATOR AND PURGE FLOWMETER (DWYER RMC-121-SSV) FOR 3 SCFM OF PURGE WHEN NOT CONVEYING 1/2" NPT PIPE CONNECTIONS
 - GASKETS TO BE 1/8" THICK FULL FACE GYLON 3545
 - POSITIVE PRESSURE LEAK TEST TO BE PERFORMED AT 1/4 PSIG FOR 30 MINUTE DURATION
 - ESTIMATE EMPTY WT 3500 LBS
 - QTY (2)
 - MAC WPS-25
 - ALL FLANGES TO BE WELDED ON BOTH SIDES



REMOVABLE TAG	SAP NO
(V-3078)	10039878
(V-3079)	10039882

SCHEDULE OF OPENINGS						
MARK	SIZE	RATING	FACING	SERVICE	NECK SCHD	REMARKS
A	28"	-	FF	BIN VENT	3/8"	32"OD, 1/2" THK
B	24"	-	FF	MANWAY	3/8"	1/2" THK
C	3/4"	CL 150	FF	FLOW PURGE	SCH 40	1/2" THK
D	8"	CL 150	FF	INLET	SCH 40	1/2" THK
E	14"	-	FF	DISCHARGE	-	150# ANS1

ITEM # 002

MAC HOUSTON TEXAS 77041 (800) 955 7735

MOD NO	WORK BIN 6' X 4 5'	LOCATION	HOECHST CELANESE
S/O	98523-002		BISHOP TX
PO NO	4500037100	ITEM NO	002
SYS NO	98-523 5G	SAP NO	10039878
B/M NO	98-523 5G 002		10039878
DATE	1998	DWG NO	D35025

MAC Flotronics

THIS MATERIAL IS THE PROPERTY OF MAC EQUIPMENT INC. AND SHOULD NOT BE REPRODUCED, PUBLISHED OR SOLD TO OTHERS WITHOUT AUTHORIZATION AND SHALL NOT BE USED IN ANY MANNER OR BE LOANED, RENTED, REPRODUCED, COPIED, OR OTHERWISE USED BY ANY PARTY WITHOUT THE WRITTEN CONSENT OF MAC EQUIPMENT INC.

WORK BIN, MODEL 6' X 14 5' 316L S S CONSTRUCTION GENERAL DIMENSIONS FOR HOECHST CELANESE

DATE: 09/02/98
SCALE: 1/20"=1"

9 28-1998 15 18-38 RF