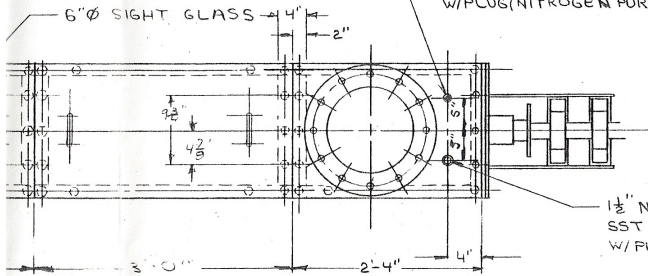


$\frac{3}{16}$ " TK. COVER W/ BOLTS, WING NUTS, & LOCKWASHERS 6"

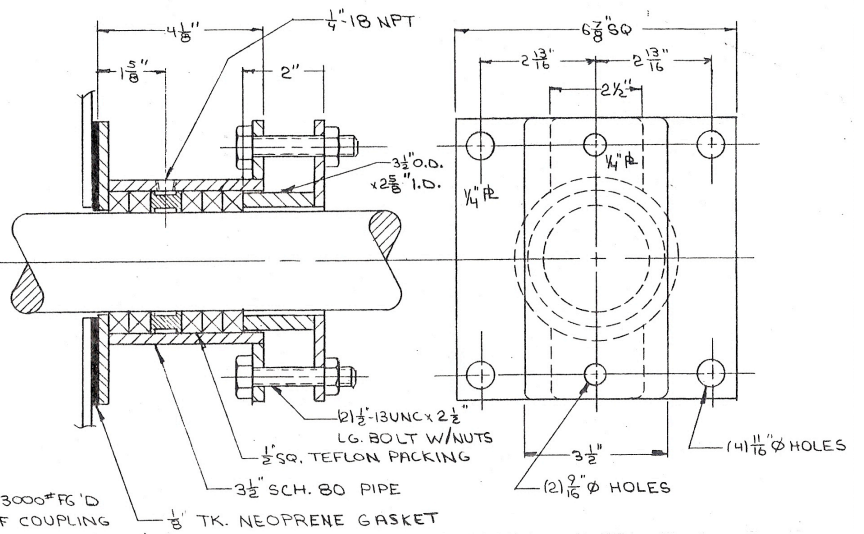


SEE DETAIL "D-D"

(2) $\frac{1}{2}$ " NPT 3000# FG'D SST HALF COUPLING W/PLUG (NITROGEN PURGE)

$\frac{1}{2}$ " NPT 3000# FG'D SST HALF COUPLING W/PLUG (CLEANING INLET)

FALK REDUCER NO. 2202-JR 2.5 W/MOTOR



PACKING GLAND DETAIL

(2 REQUIRED)

