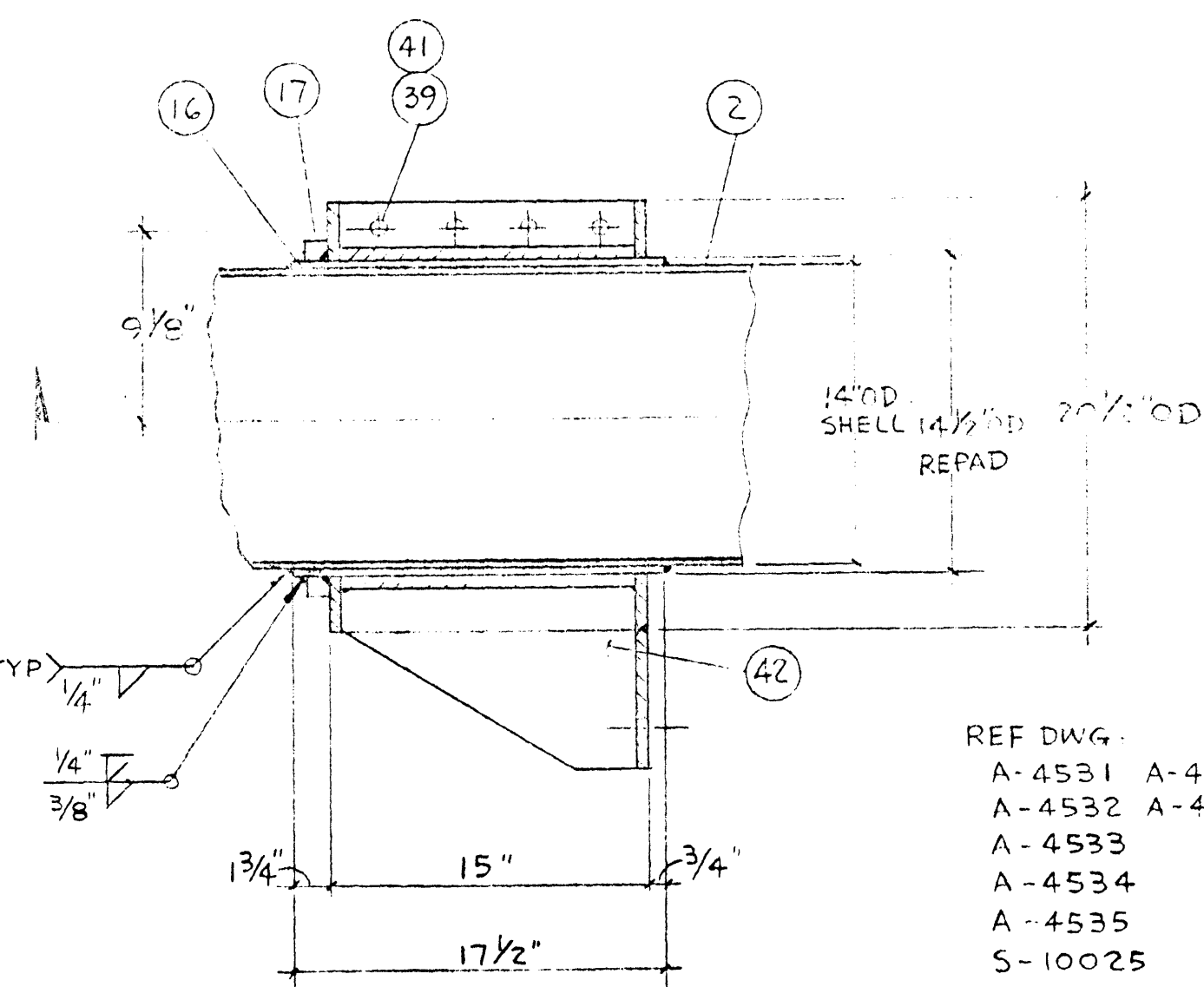
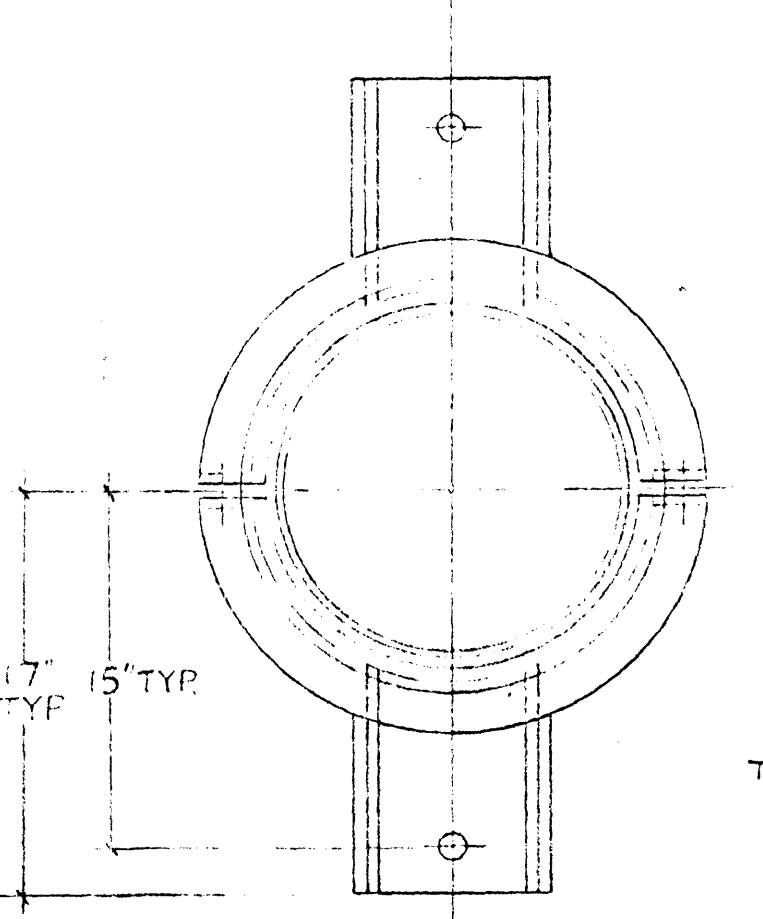
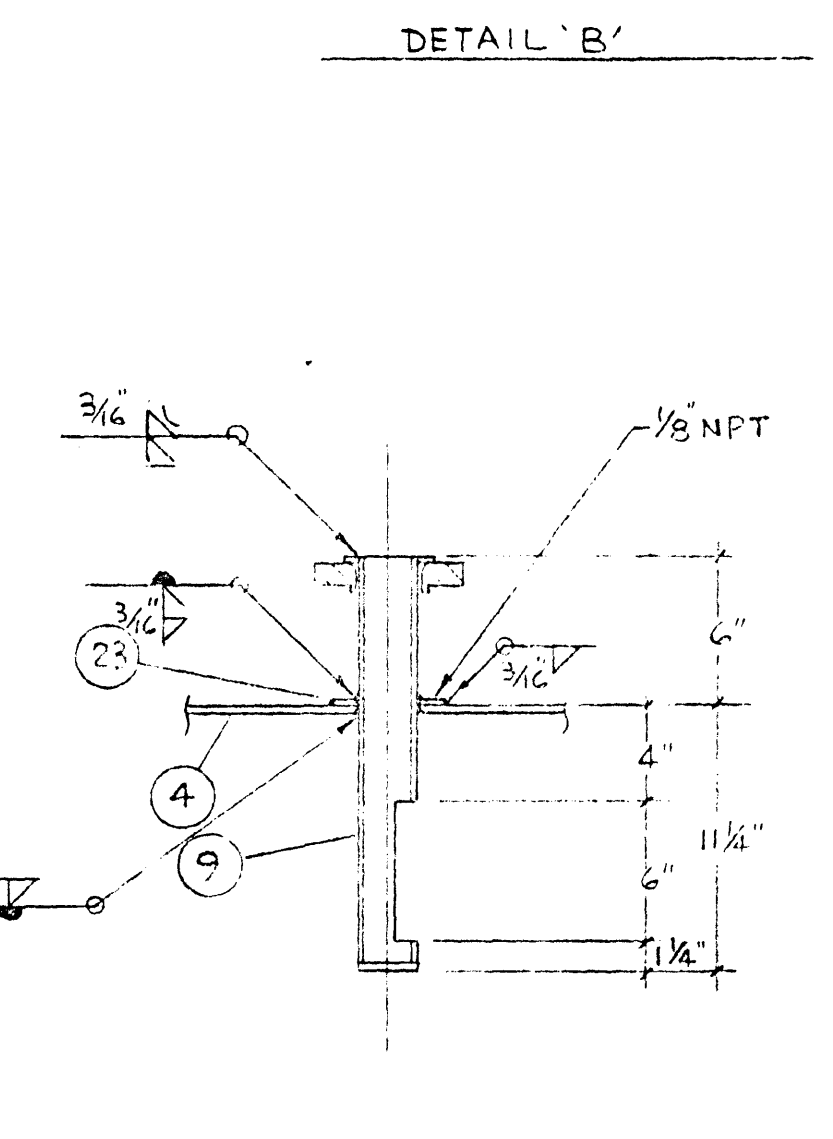
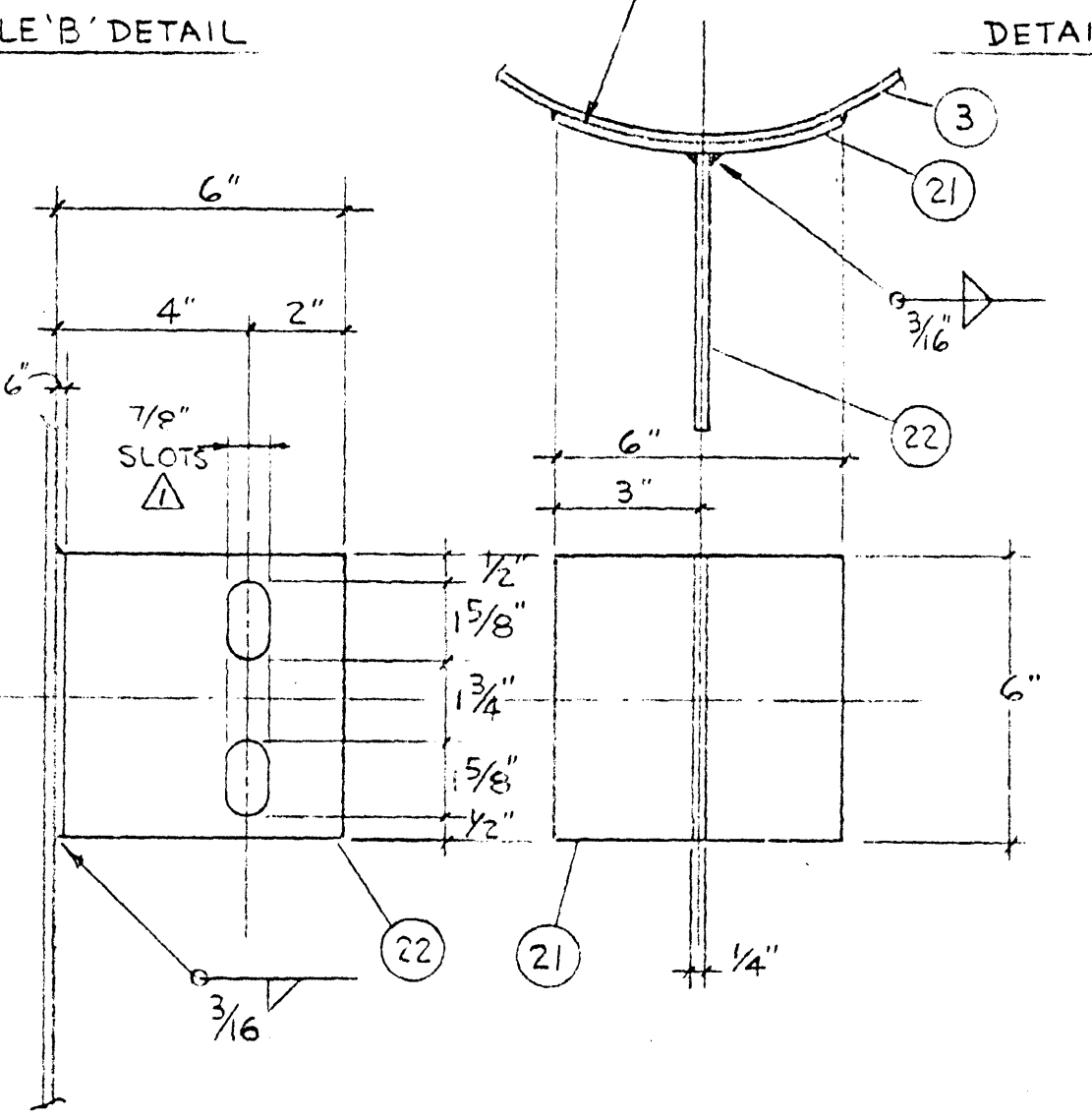
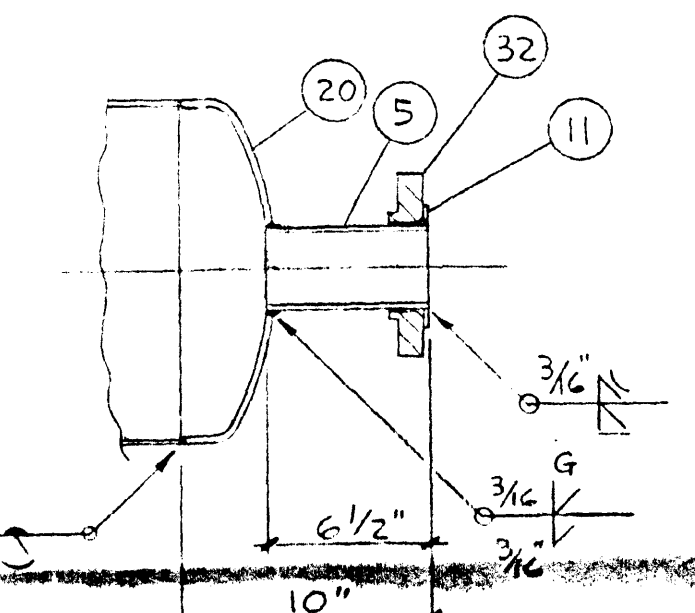
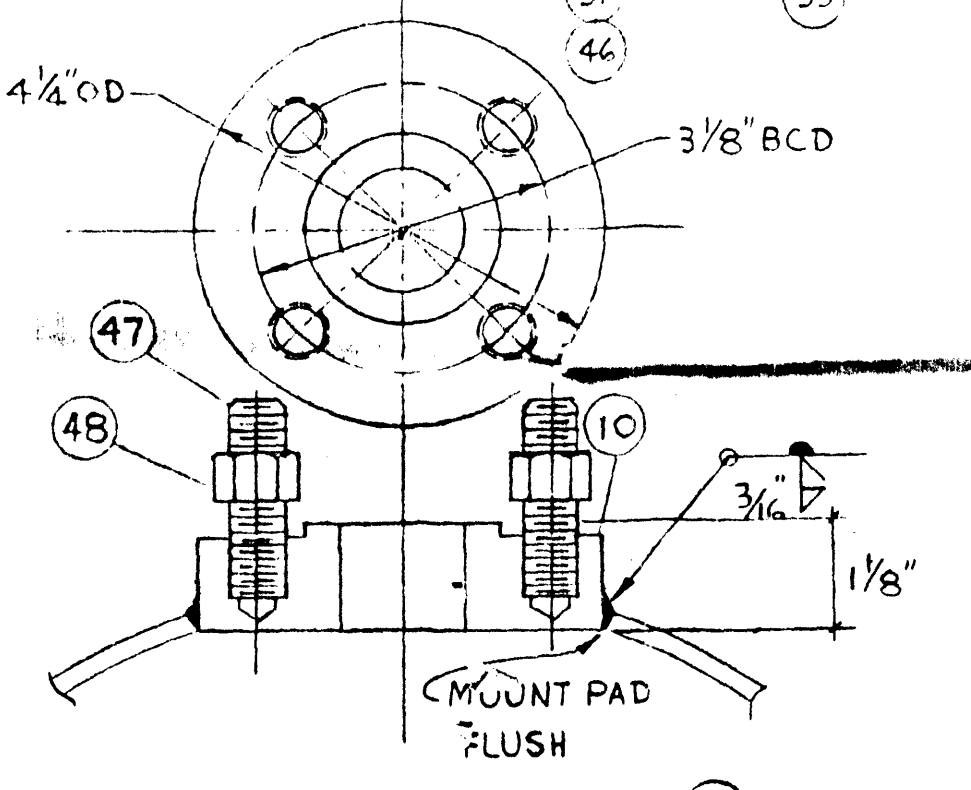
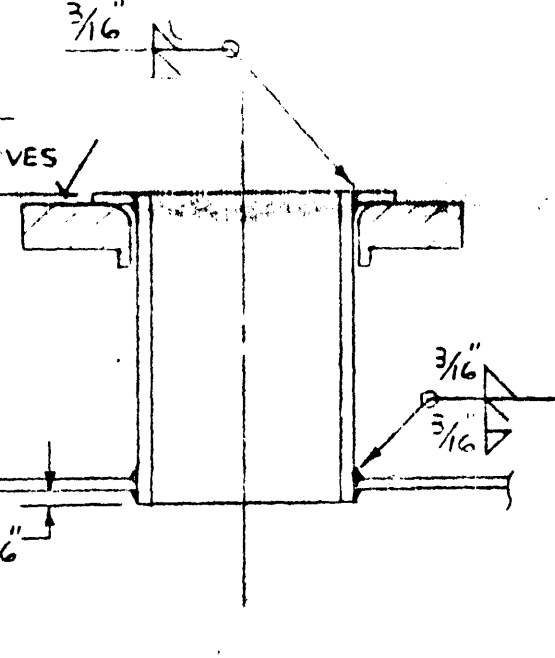
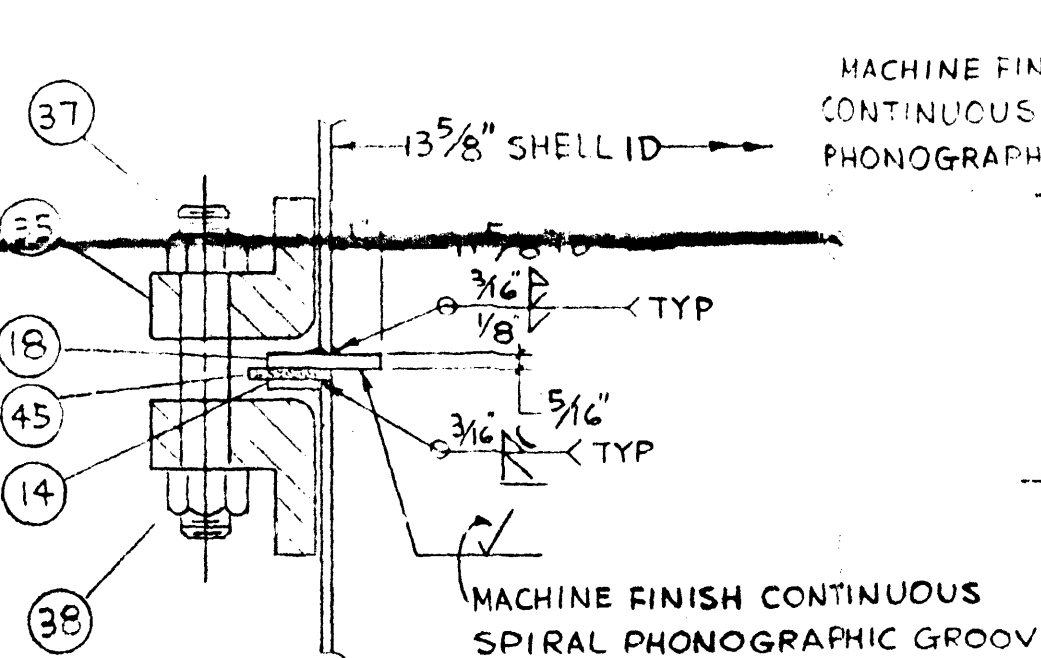
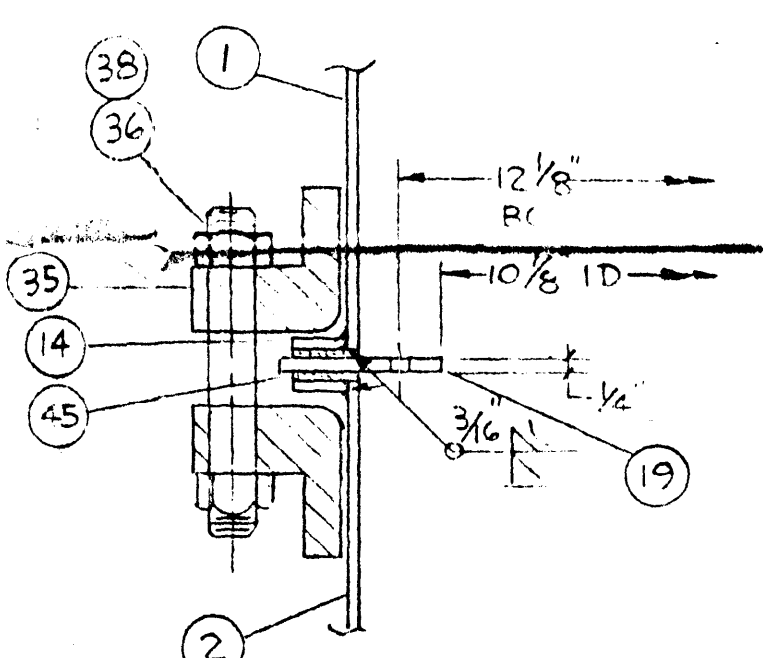
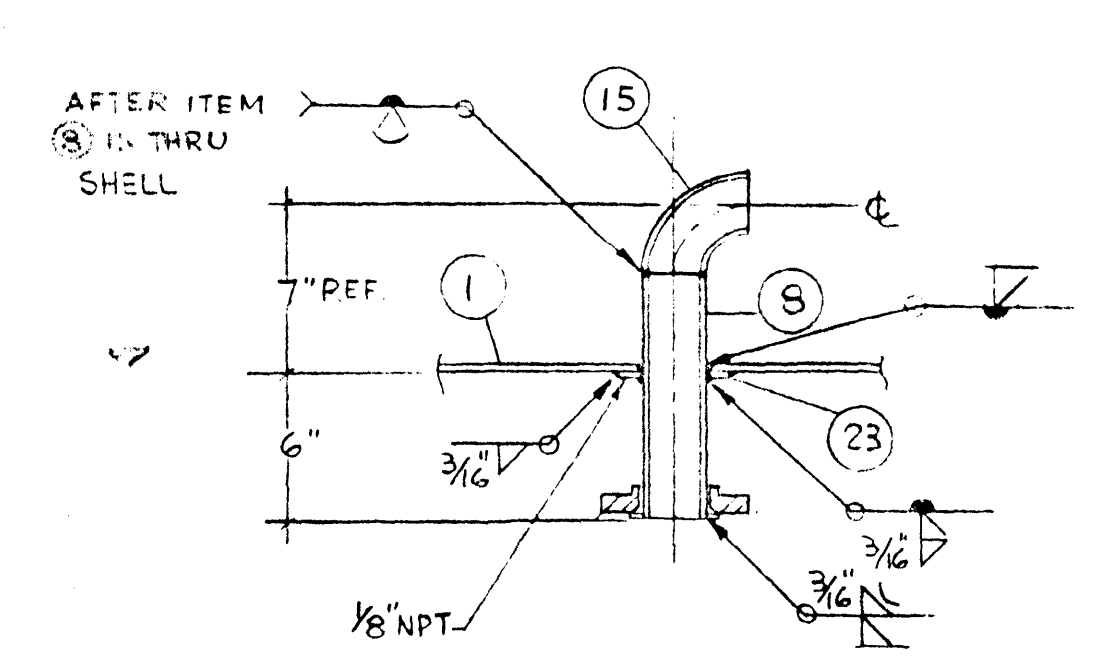


NOZ. NO.	ITEM	MARK	SIZE	RATING	TYPE	SERVICE
1	5	A	3"	150#	LAPJOINT	VAPOR OUTLET
2	8	B	2"	"	"	LIQUID FEED
3	9	C	2"	"	"	STEAM FEED
4	5	D	3"	"	"	LIQUID OUTLET
6	10	E	1"	"	PAD	TE
7	6	F	4"	150#	LAPJOINT	LX
8	6	G	4"	"	"	LX, DPI
10	6	H	4"	"	"	DPI
11	10	I	1"	"	PAD	THERMOMETER
12	10	J	1"	"	PAD	"
13	7	K	6"	150#	LAPJOINT	HANDHOLE W/BLD
14	7	L	6"	"	"	"
15	7	M	6"	"	"	"
16	7	N	6"	"	"	"
17	7	O	6"	"	"	"
18	7	P	6"	"	"	"
19	10	Q	1"	"	PAD	LEVEL GAGE
20	10	R	1"	"	PAD	"
21	7	S	6"	150#	LAPJOINT	HANDHOLE W/BLD
22	7	T	6"	"	"	"
23	7	U	6"	"	"	"
24	7	V	6"	"	"	"
25	10	W	1"	"	PAD	TE
26	10	X	1"	"	PAD	TE
27	24	Y	1 1/2"	"	LAPJOINT	RECIRCULATION



- 19 PAINT NORTH ARROW & ITEM NO. ON TOP
- 18 SUPPORTS SA-36
- 17 FLANGES SA-105
- 16 INTERNALS SB-245-2
- 15 STUDDING OUTLET SB-245-2
- 14 STUDS (EXTERNAL) SA-193-B8
- 13 GASKET SURFACES MACHINE FINISH CONTINUOUS SPIRAL PHONOGRAPHIC GROOVES
- 12 NORTON SUPPORT PLATE MODEL 818
- 11 NORTON REDISTRIBUTOR MODEL 950 OR EQUAL. TACK WELD NUTS TO TOP OF 2 PIECE REDISTRIBUTORS FOR ASSEMBLY FROM BOTTOM ONLY
- 10 NORTON DISTRIBUTOR MODEL 845 OR EQUAL. DRILL LUGS TO MATCH HOLES IN ITEM (19) (DETAIL 'A')
- 9 100% X-RAY
- 8 ALL BOLT HOLES TO STRADDLE CENTERLINE
- 7 PAINT-1-COAT CARBOZING II ON CARBON STEEL ONLY
- 6 BOLTS/NUTS SA193-B7/SA194-2H
- 5 GASKET - 1/8\"/>

REF DWG.
A-4531 A-4720
A-4532 A-4805
A-4533
A-4534
A-4535
S-10025
S-10034.0
S-10040

VESSEL	15 PSI	200°C (392°F)	40 PSI
DESIGN PRESS	DESIGN TEMP	TEST	
13288	 FUTURA METAL TECHNOLOGY 31166 Via Colinas, Westlake Village, California 91361		
NO.	DATE	BY	
1	12-10-80	RY	14" RAFFINATE STRIPPER PACKED COLUMN
2	12-17-80	JL	ROHM & HAAS BAYPORT, TEXAS
3	1-26-81	RY	RY 10/8/80
4			

This drawing and the information it contains are the property of FUTURA TITANIUM CORPORATION and is not to be copied or traced without prior written approval.

NOTE: LUG SUPPORT TO CLAMP OVER BACKING PLATE DO NOT WELD C S TO TITANIUM

ITEM NO. 445-04-20564