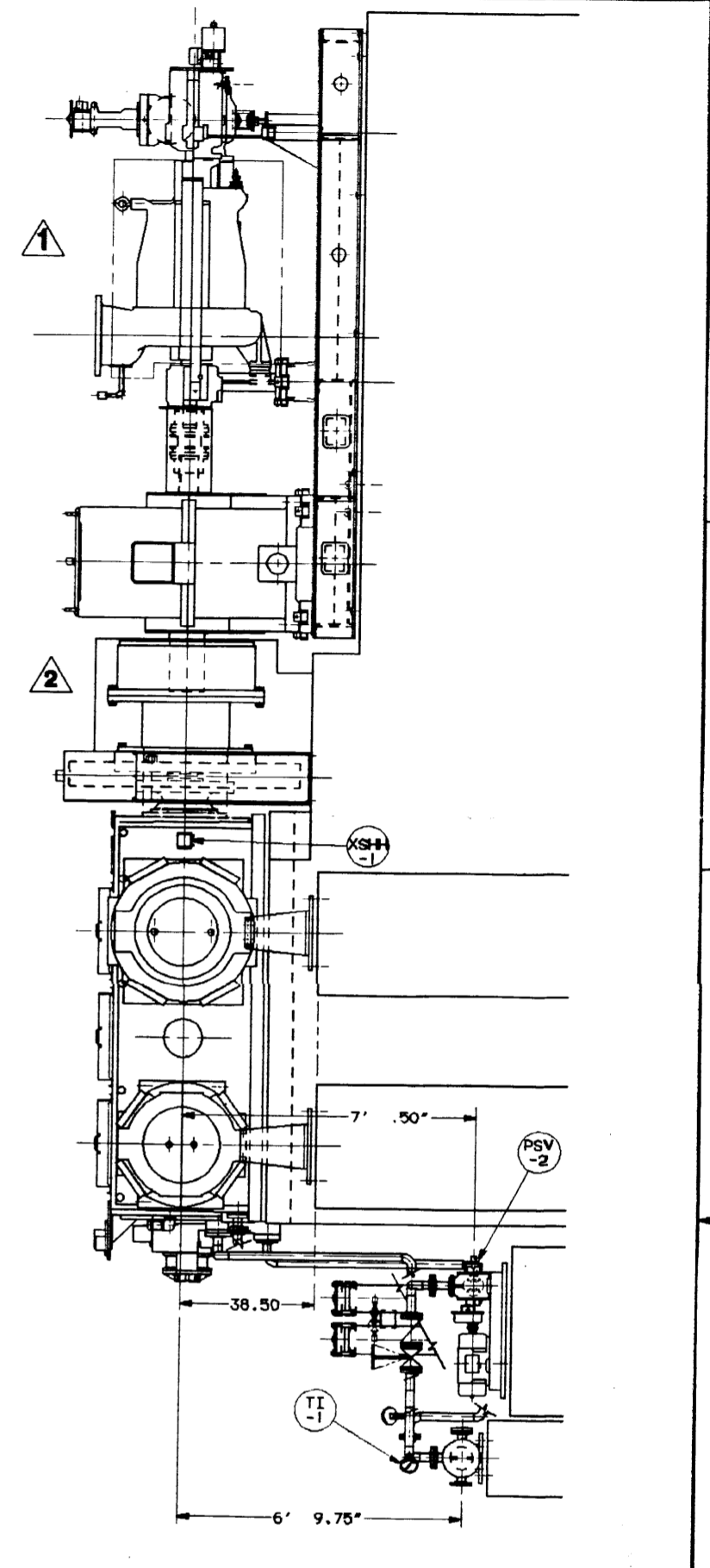
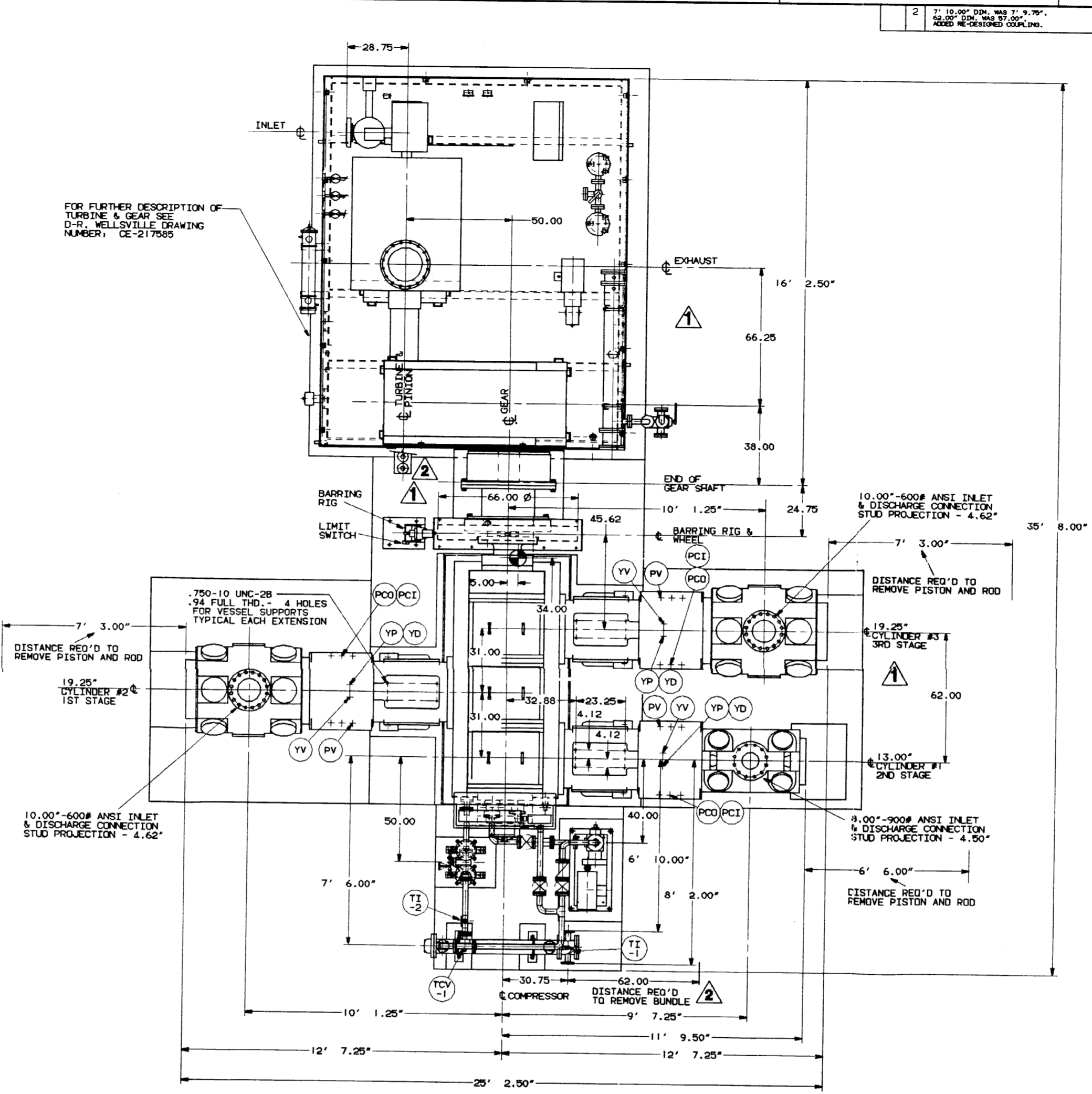
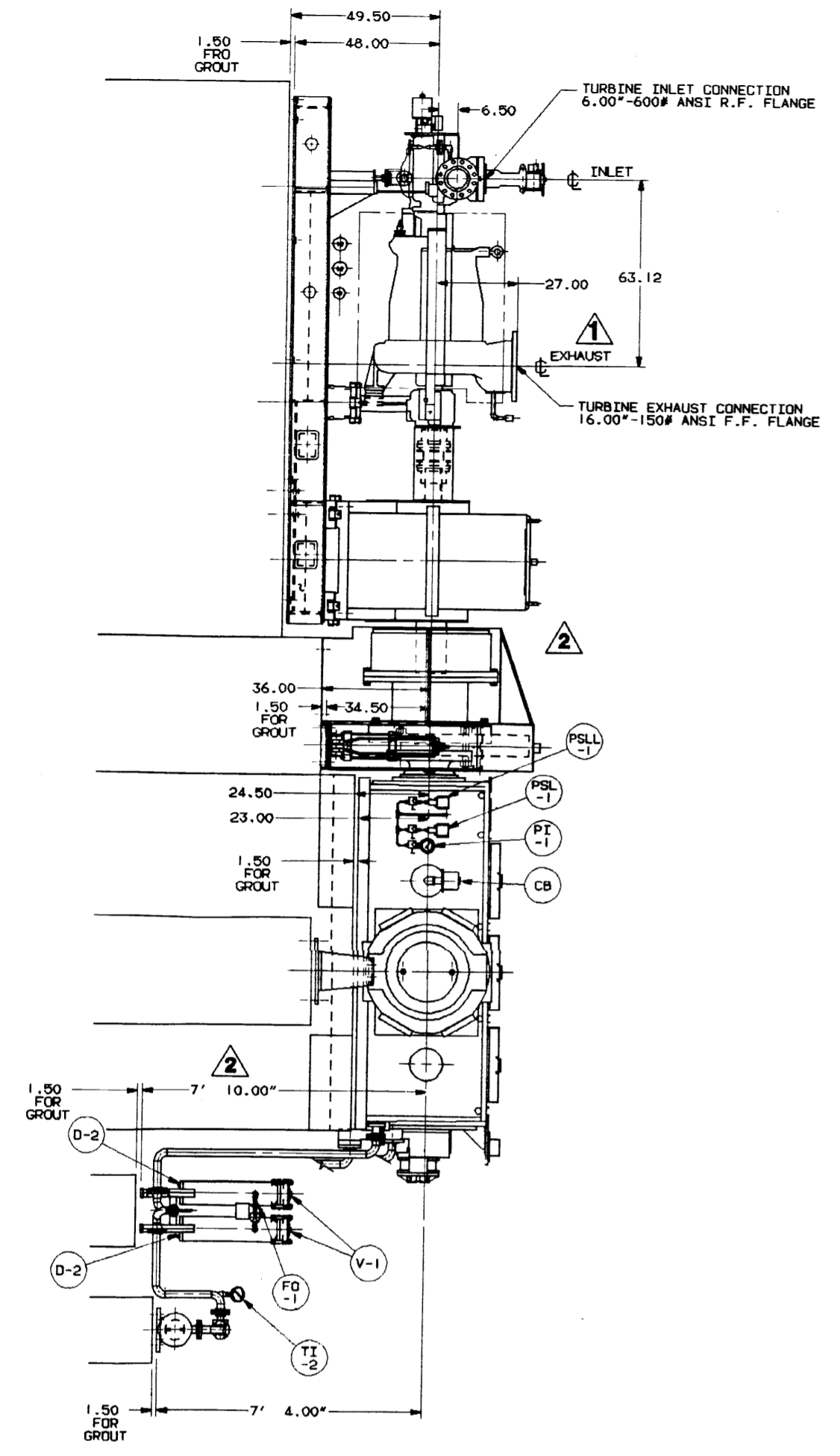


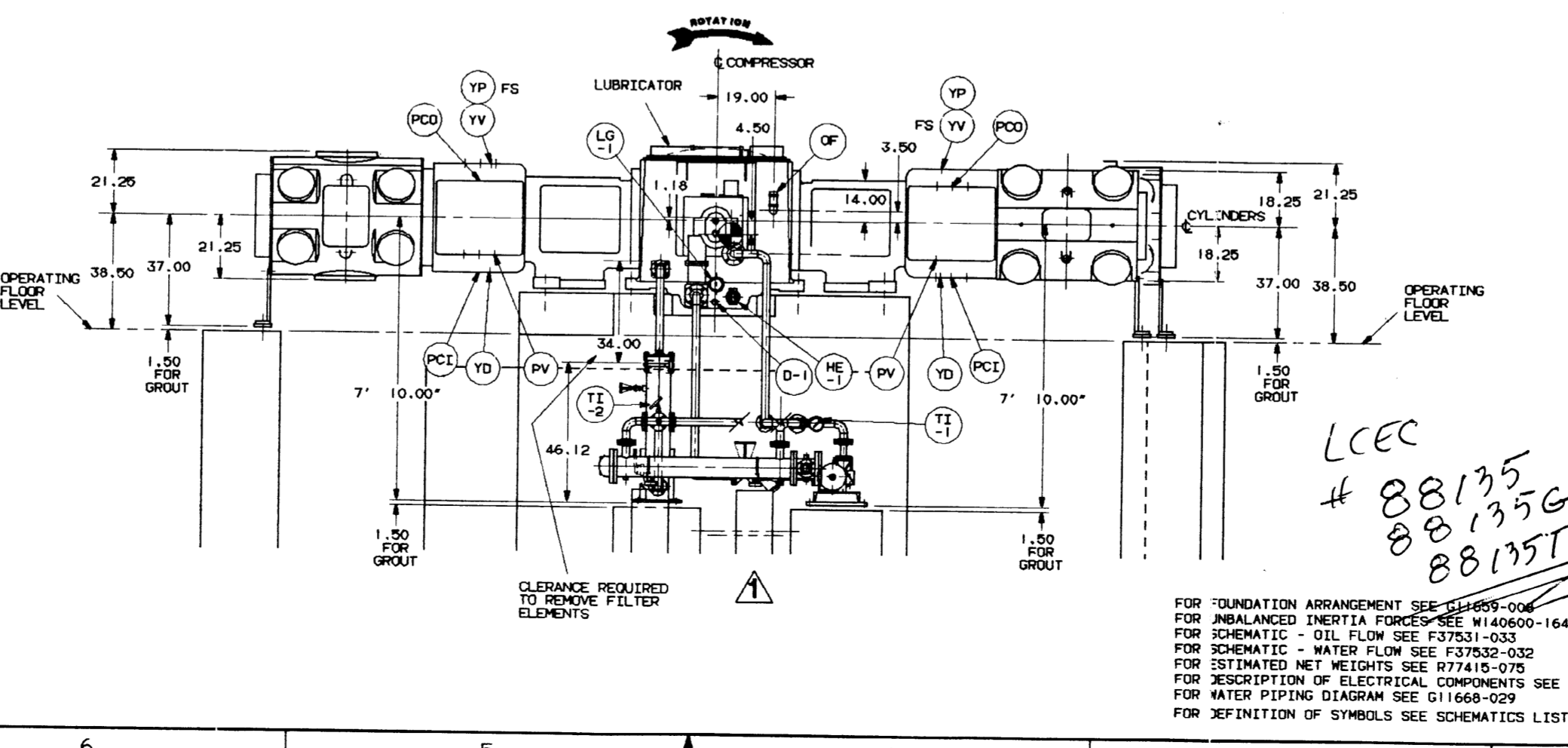
2	7" 10.00" DIA. WAS 7" 9.75" 2.00" DIA. WAS 2.00" ADDED RE-DESIGNED COUPLING.	23MAY91	SAB/KML	ZONE REV	REVISIONS	DATE	APPROVED
1	ADDED BLOCK MOUNTED OIL SYSTEM, TURBINE & GEAR ASSEMBLY TO DRIVE END, RELOCATED CENTER OF GRAVITY TO INCLUDE TURBINE & GEAR. SHD WAS 1ST	19MAY90	ML/CJS	2			



- NOTES:
1. DIMENSIONS SHOWN ON THIS DRAWING ARE NOMINAL AND MAY VARY DUE TO NORMAL MANUFACTURING TOLERANCES. WHEN FITTING PIPING, IT IS GOOD PRACTICE TO LEAVE ONE OR TWO FLANGES LOOSE FOR FIELD FITUP TO ALLOW FOR THESE NORMAL TOLERANCES. FAILURE TO ALLOW FOR THESE TOLERANCES MAY CAUSE DIFFICULTY IN FITTING PREFABRICATED PIPING.
 2. COMPANION FLANGES, GASKETS, BOLTS AND NUTS NOT FURNISHED BY D-R COMPANY.
 3. DO NOT USE THIS DRAWING FOR CONSTRUCTION PURPOSES UNLESS OFFICIALLY ENDORSED.
 4. DISTANCES GIVEN FOR WITHDRAWAL OF PISTON RODS ARE BASED ON NO FURTHER DISMANTLING THAN REMOVAL OF OUTER HEADS. THESE DISTANCES CAN USUALLY BE REDUCED IF FLOOR SPACE IS LIMITED. REFER TO THE SHOPS FOR THIS INFORMATION.
 5. DO NOT SCALE THIS DRAWING FOR DIMENSIONS. USE FIGURES GIVEN.
 6. BE SURE TO READ THE INSTRUCTION BOOK BEFORE CONSTRUCTION.
 7. PROVISIONS MUST BE MADE TO ANCHOR CONNECTING PIPING SUCH THAT THERE WILL BE LITTLE OR NO STRAIN INTRODUCED AT ANY CYLINDER. THE WEIGHT OF CONNECTING PIPING SHOULD NOT BE CARRIED BY THE CYLINDERS.
 8. PACKING VENT LINES MUST BE KEPT SEPARATE FROM CONDENSATE DRAIN PIPING.
 9. ALL PACKING VENT PIPING AND YOKE VENT PIPING EXTERNAL TO YOKES TO BE PIPED BY CUSTOMER. IF PACKING VENTS ARE PIPED AWAY FROM COMPRESSOR IN A VERTICAL POSITION ABOVE CYLINDERS A DRAIN LEG MUST BE PROVIDED FOR CONDENSATION.
 10. ALL DIMENSIONS 72\"/>

RECOMMENDED ALLOWABLE FORCES AND MOMENTS ON CYLINDER FLANGES DUE TO ALL PIPING STRESSES.

MAXIMUM FORCES:	1000 LBS. X-X AXIS (453.6 KGS.)
	800 LBS. Y-Y AXIS (362.9 KGS.)
	1200 LBS. Z-Z AXIS (544.3 KGS.)
MAXIMUM MOMENTS:	1500 FT./LBS. X-X AXIS (207.5 KG/M)
	1000 FT./LBS. Y-Y AXIS (138.3 KG/M)
	1000 FT./LBS. Z-Z AXIS (138.3 KG/M)



LCEC
88135
88135G
88135T

FOR FOUNDATION ARRANGEMENT SEE G11669-006
FOR UNBALANCED INERTIA FORCES SEE W140600-164
FOR SCHEMATIC - OIL FLOW SEE F37531-033
FOR SCHEMATIC - WATER FLOW SEE F37532-032
FOR ESTIMATED NET WEIGHTS SEE R77415-075
FOR DESCRIPTION OF ELECTRICAL COMPONENTS SEE R76419-084
FOR WATER PIPING DIAGRAM SEE G11668-029
FOR DEFINITION OF SYMBOLS SEE SCHEMATICS LISTED ABOVE.

CYL. SIZE	SHAFT TO CONN.	VERT. DIST. CYL. TO CONN.	HORIZ. DIST. CYL. TO CONN.	QTY.	SIZE NPT
YOKE VENT "YV" TOP					
19.25" & 13.00"	6FT-2.00"	18.25"	3.00"	1	1.50
YOKE DRAIN "YD" BOTTOM					
19.25" & 13.00"	6FT-2.00"	18.25"	3.00"	1	1.00
YOKE PURGE "YP" TOP					
19.25" & 13.00"	5FT-3.00"	18.25"	3.00"	1	1.00
PACKING VENT "PV" BOTTOM					
19.25" & 13.00"	6FT-0.50"	14.38"	16.75"	1	1.00
PACKING COOLANT IN "PCI" BOTTOM					
19.25" & 13.00"	6FT-5.50"	14.38"	16.75"	1	.75
PACKING COOLANT OUT "PCO" TOP					
19.25" & 13.00"	6FT-5.50"	14.38"	16.75"	1	.75

HYDRO-CHEM/SCCLP

CUSTOMER ORDER NO.: 231-102-002
SERVICE NAME: SYNTHESIS GAS COMPRESSOR

D-R ORDER NO.: 026-70415

CHG TO: 16C 29C 80 124C

DR **DRESSER-RAND**
PAINTED POST, N.Y. 14870

THIRD ANGLE PROJECTION
DRAWN: K.W. LOCEY
CHECKED: D.L. SPIRAWK
APPROVED: J.E. CRIMMER

DATE: 05JAN91
DATE: 14JAN91
DATE: 15JAN91

SIZE: 19.25" & 13.00" & 19.25"
STROKE: 15.00"
TYPE: 3H-E-VK-2-1

NAME OF PART: GENERAL ARRANGEMENT

SIZE FEDERAL SUPPLY CODE: E
DRAWING NO.: G11658-008
REV.: 2

SCALE: .50"=1 FT. WT.
SHEET 1 OF 1