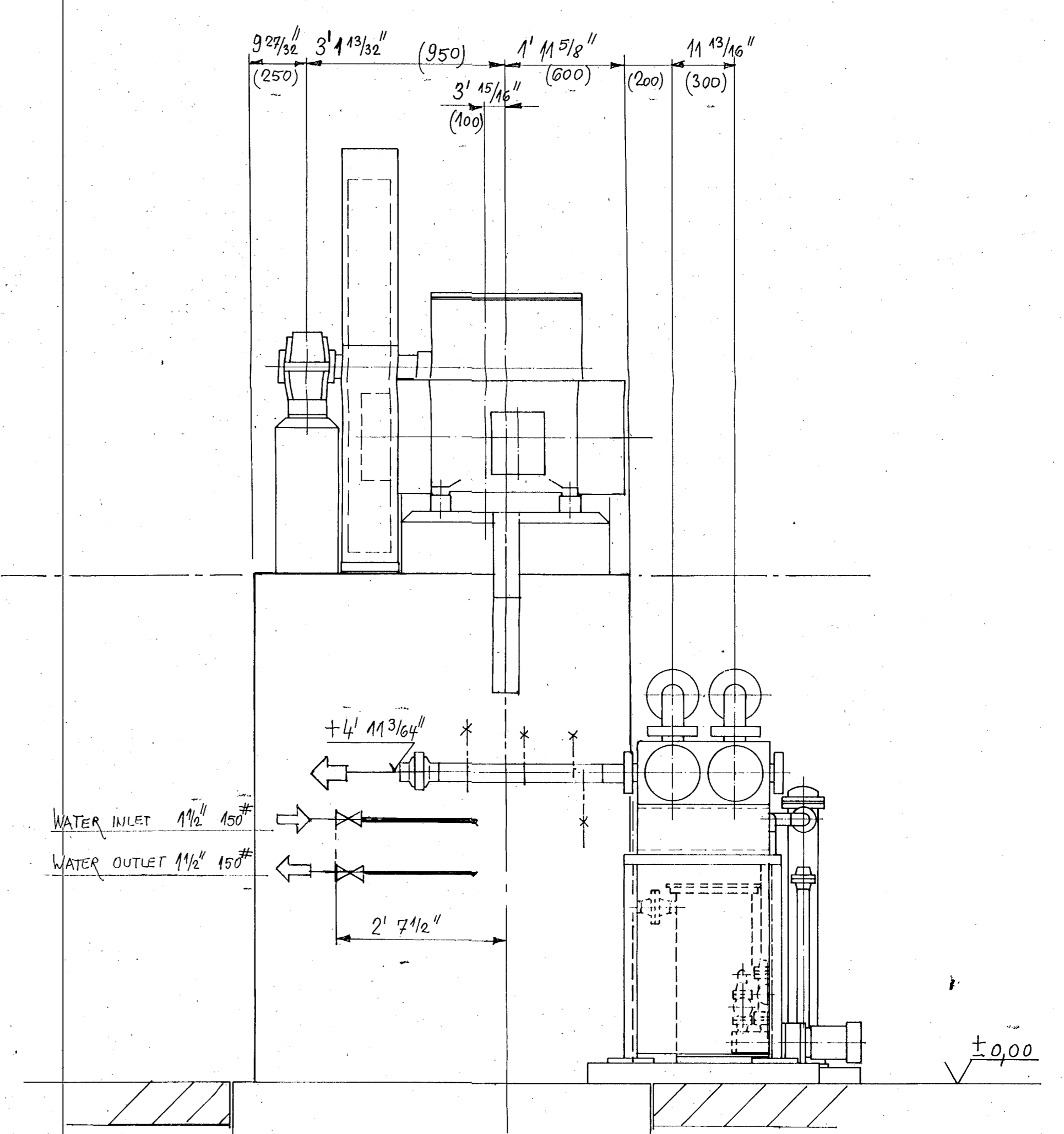
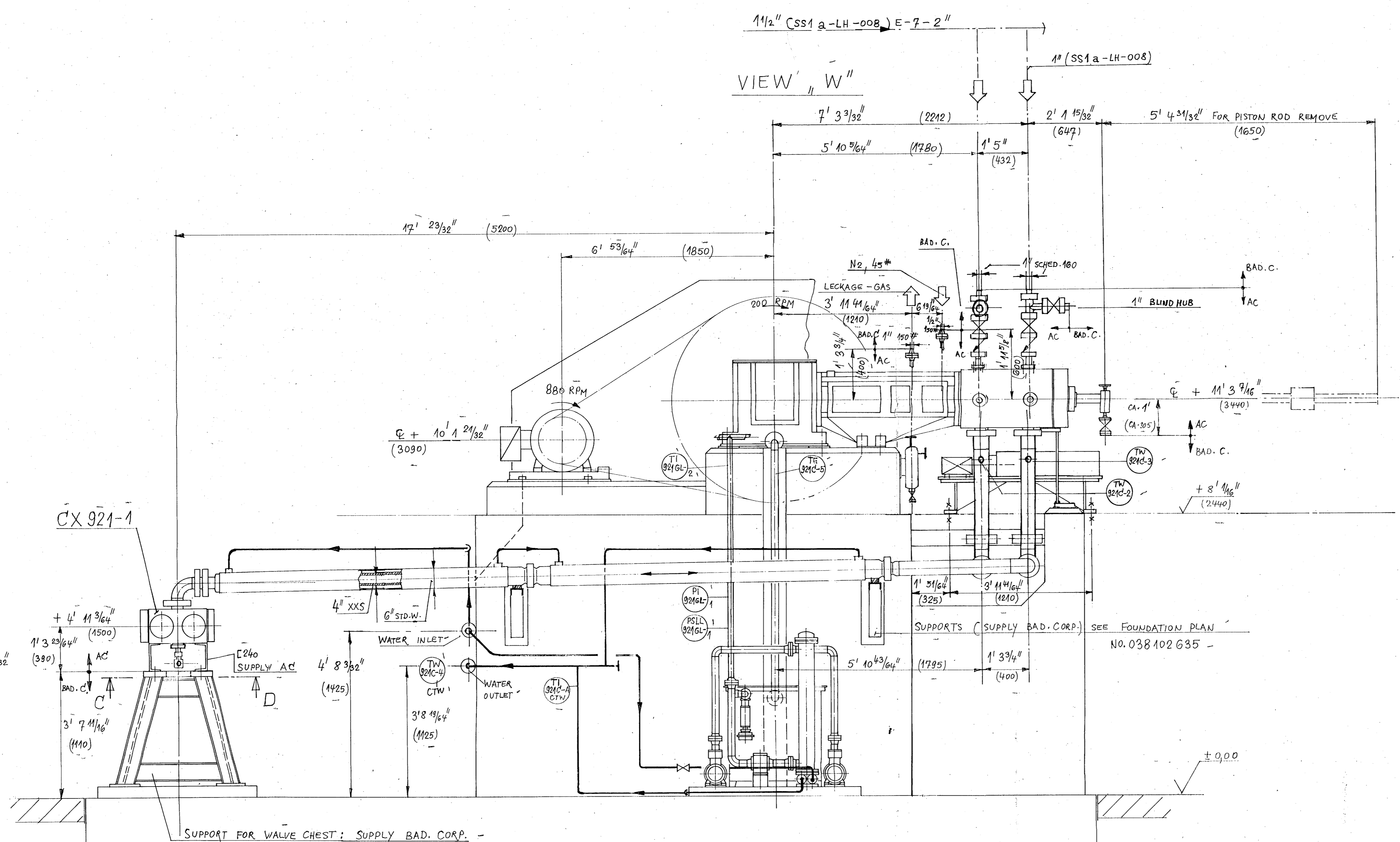
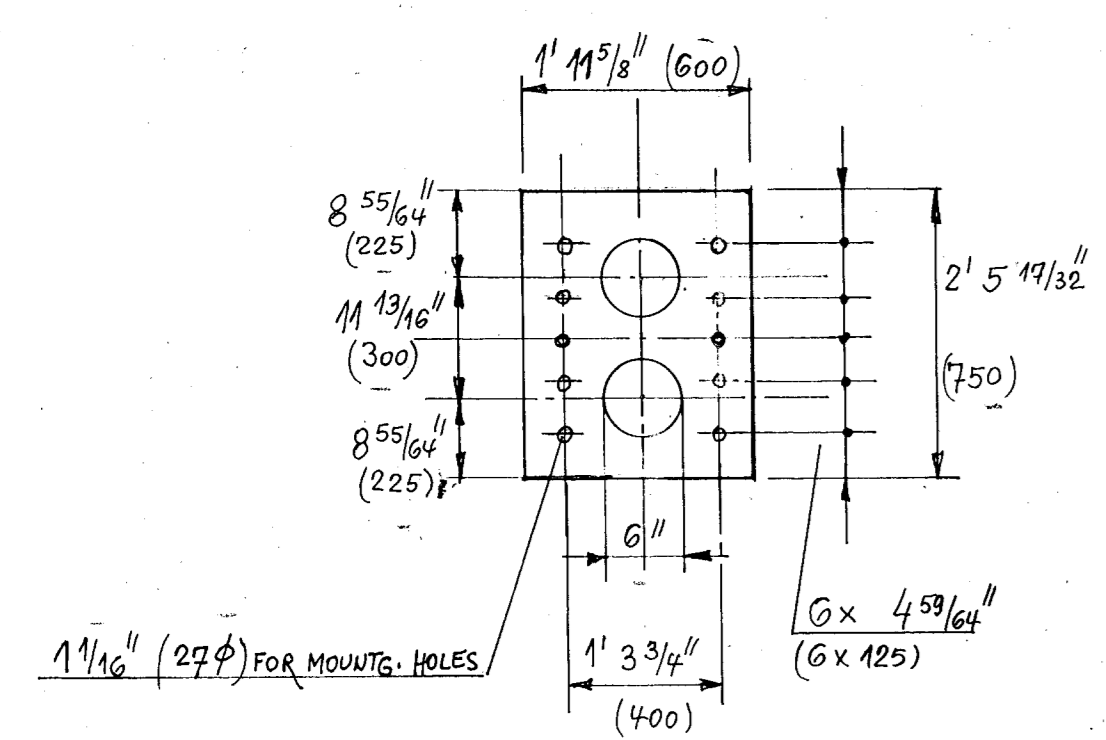


VIEW "W" 1 1/2" (SS1 a-LH-008) E-7-2"

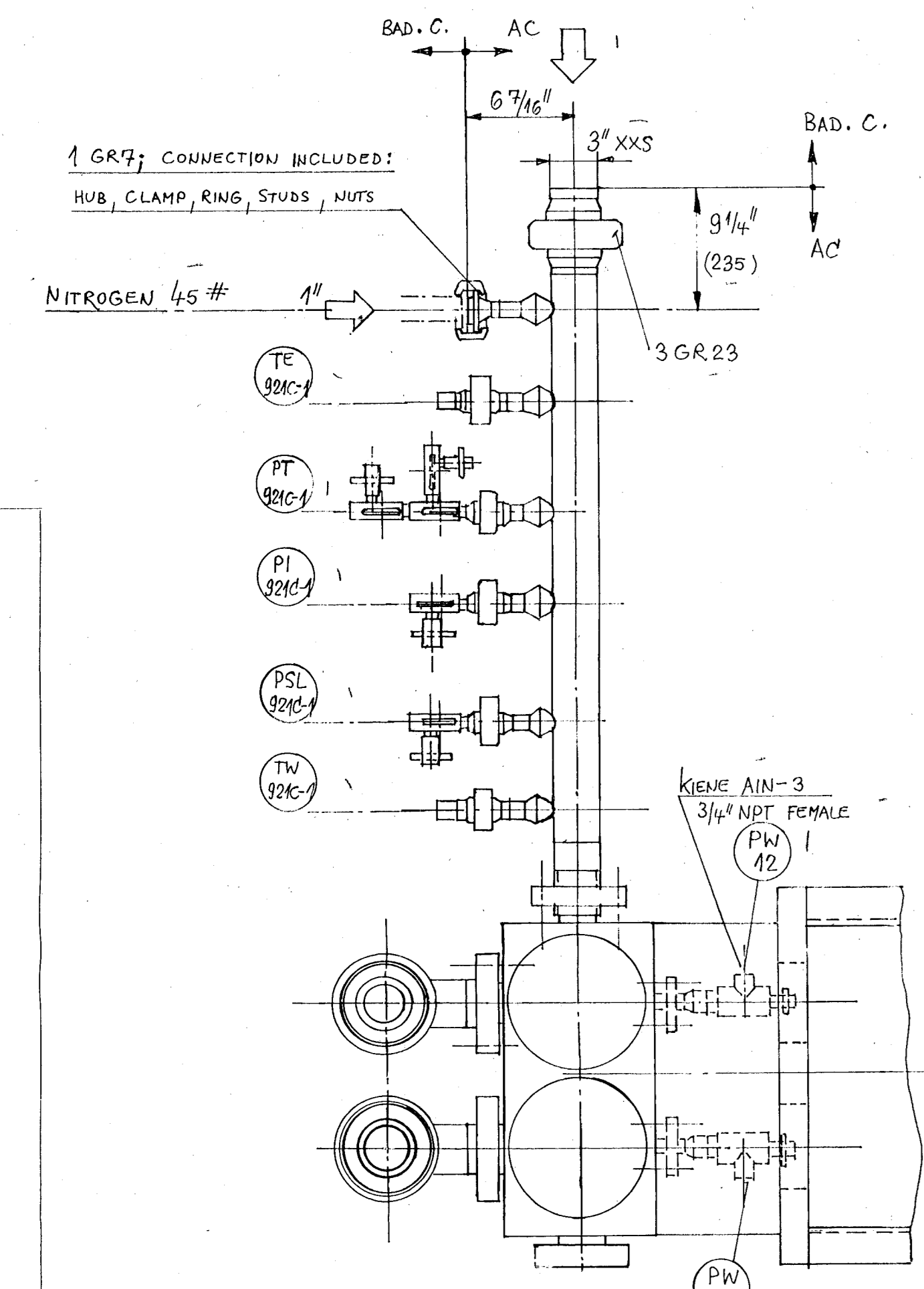
VIEW "U"



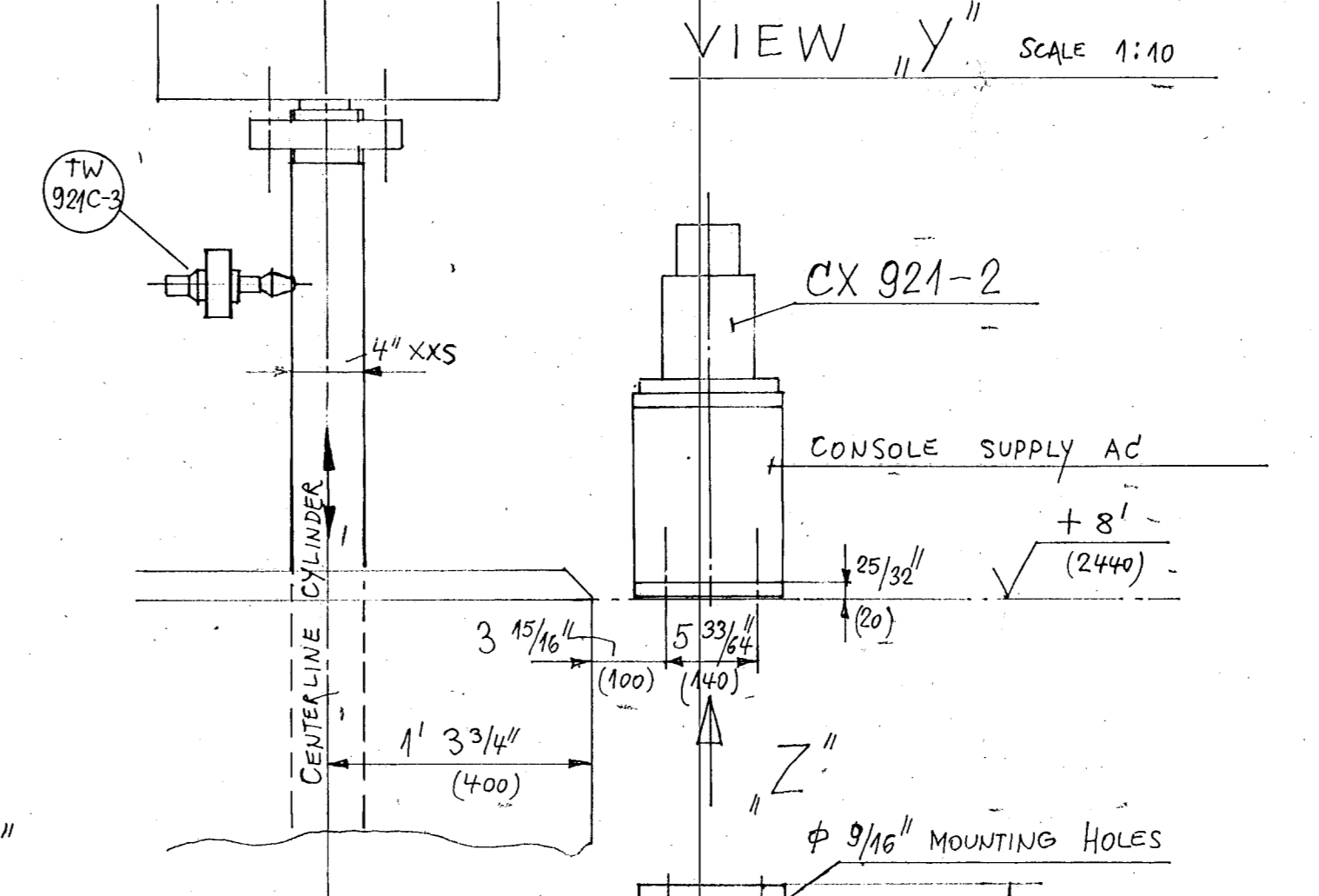
SECTION C-D SCALE 1:20



SECTION A-B SCALE 1:40



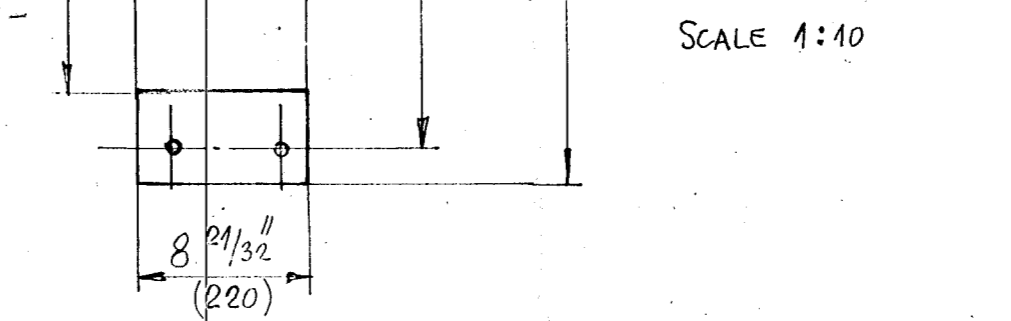
VIEW "Y" SCALE 1:40



NOTES & COMMENTS BY BADISCHE (REF. ATLAS COPCO PAT. NO. 132101510) 1. FI-921C-1 THRU 7 & TUBING NOT SHOWN ON THIS DWG. 2. FA-921C-1, FI-921C & FSH-921C NOT SHOWN ON THIS DWG. 3. DRAIN VALVE ON CTW SUPPLY LINE NOT SHOWN ON THIS DWG. 4. PSV-921C-1 & ASSOCIATED PIPING NOT SHOWN ON THIS DWG.

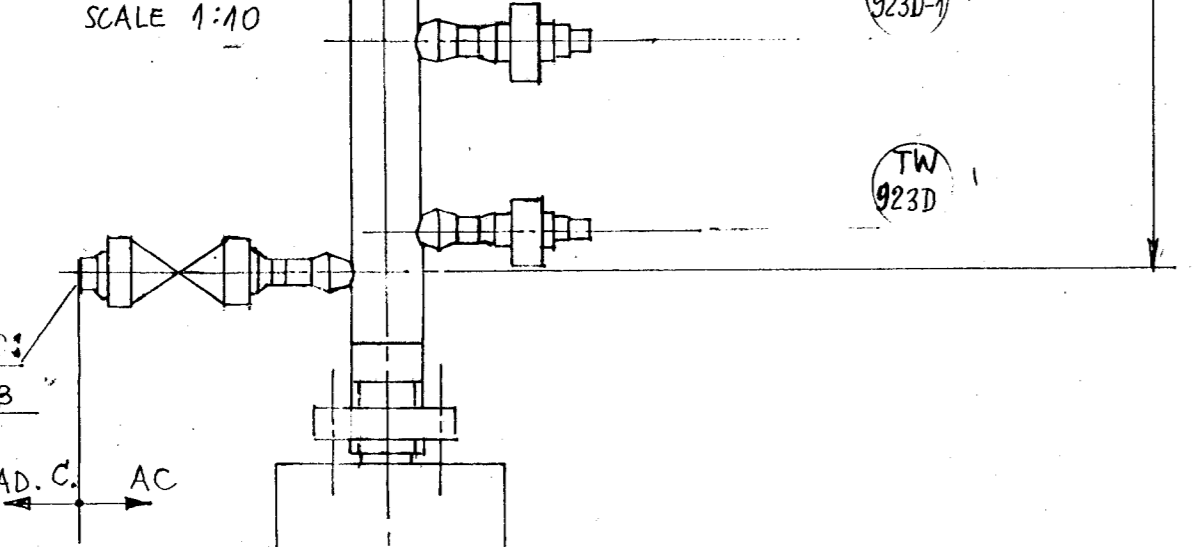
69666

VIEW "Z" SCALE 1:40



BAD. C. = BADISCHE CORPORATION SUPPLY LIMIT AC = ATLAS COPCO

VIEW "X" SCALE 1:40



Job-Nr: 3676 Pos.-Nr: C 921 F Bau BC FREEPORT

Table with technical specifications for the compressor, including model (HEXADE DIOL RECIPROCATING COMP. C 921), scale (1:20 - 1:40), and drawing number (038102664).