

Figure 3-1. Standard CONTHERM™ Scraped Surface Heat Exchanger (SSHE)

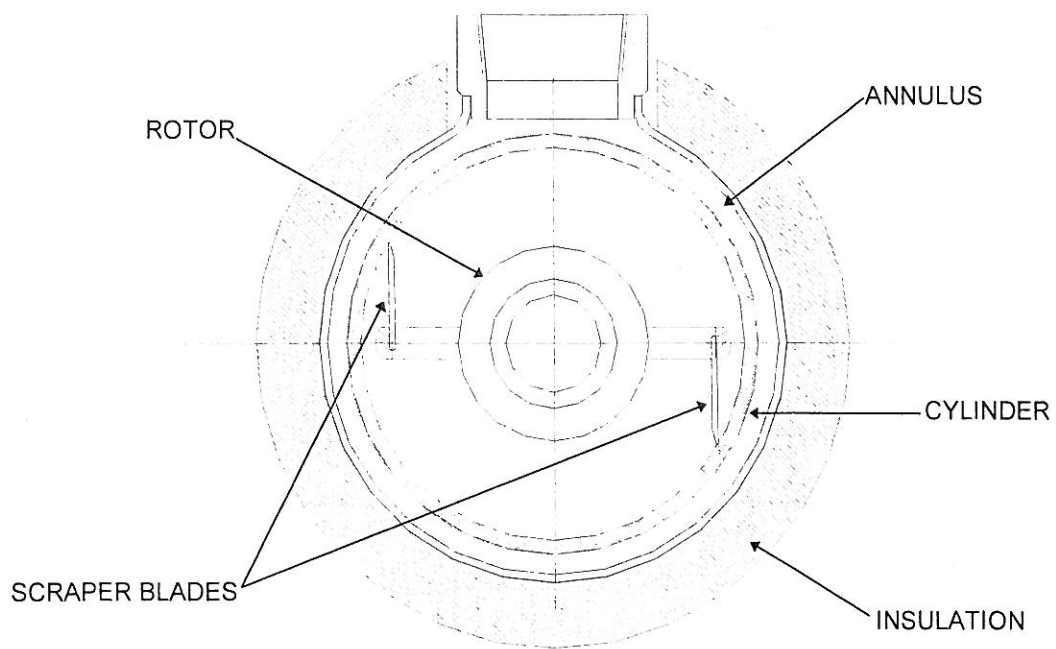


Figure 3-2. Cross-sectional View Of Standard CONTHERM SSHE