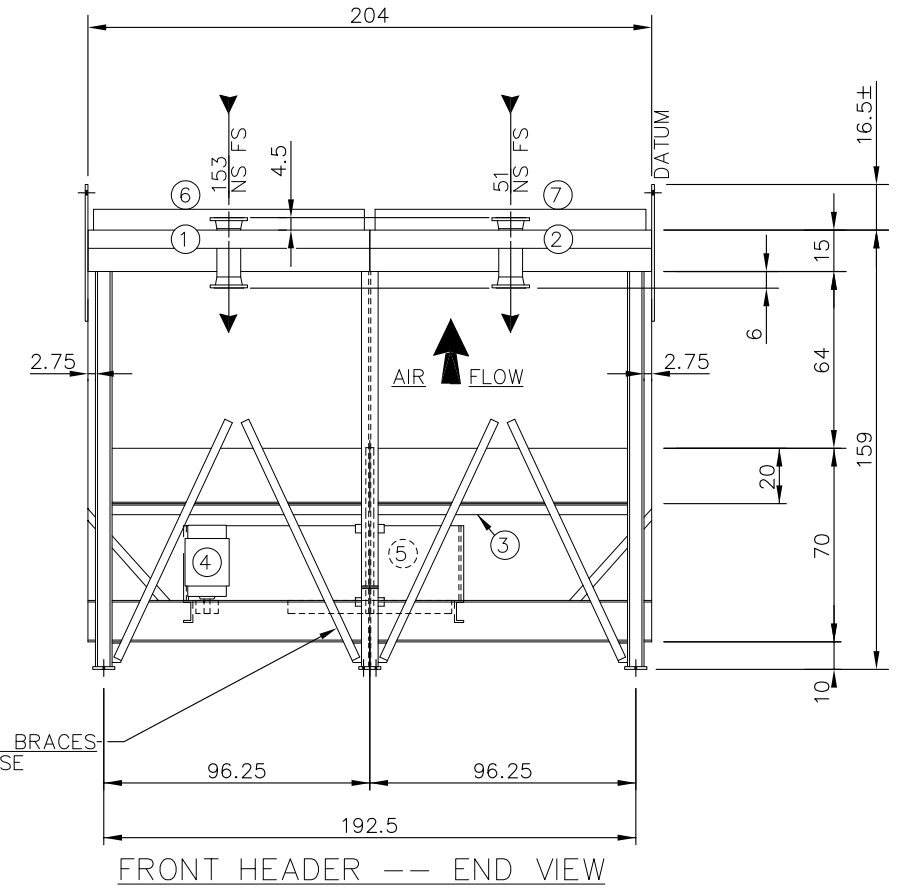
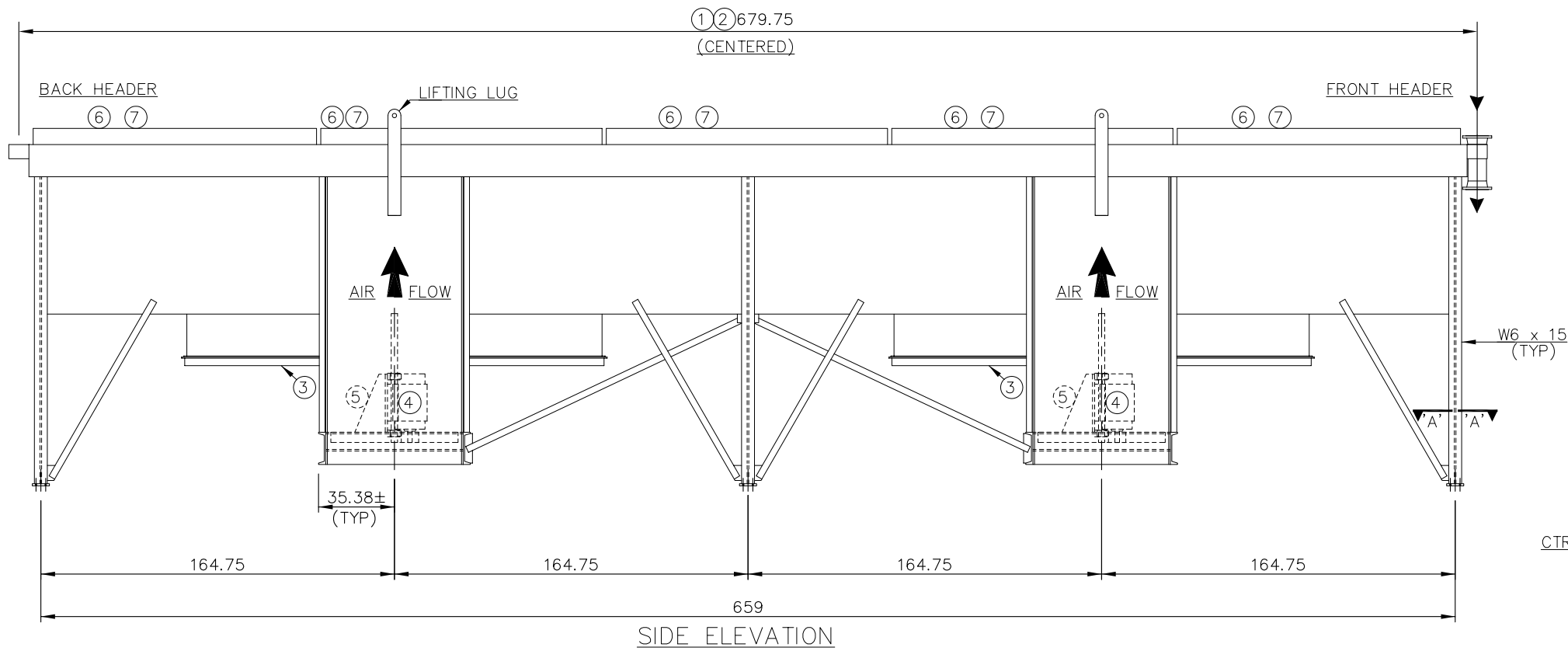



 PLAN VIEW OF FAN ROTATION

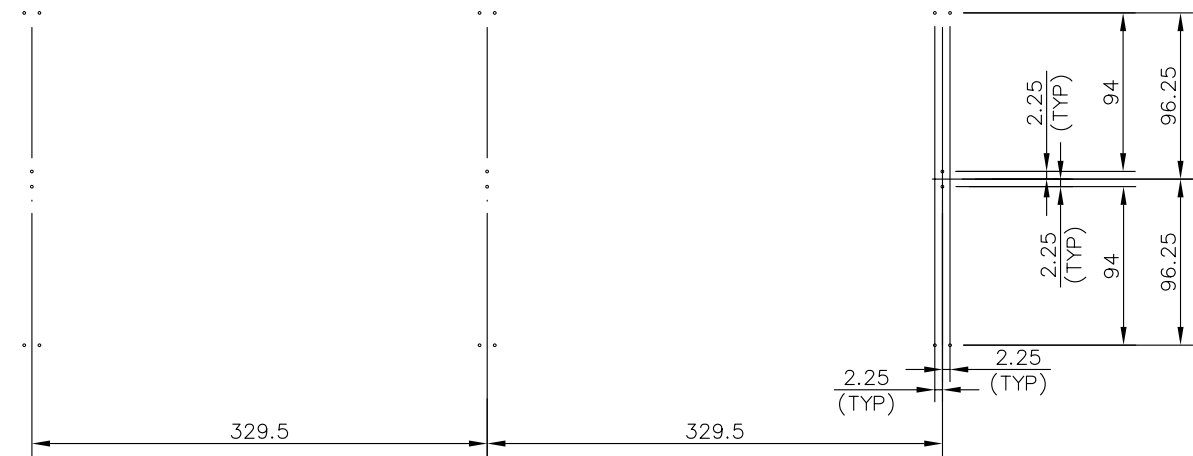


CTR. COL. & BRACES
SHIP LOOSE

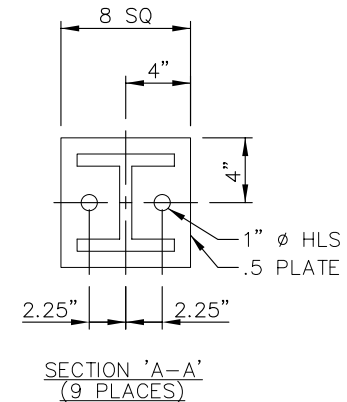
FRONT HEADER -- END VIEW

DRIVE GUARDS OMITTED FOR CLARITY

NOTE: SPREADER BARS REQ'D FOR LIFTING



ANCHOR BOLT PLAN



NOTE:
1) ESTIMATED DRY WEIGHT: 51,700#
2) FINISH: GALV. STRUCTURE & METALIZED HEADERS

- ① PROPANE-1 (ASME STAMP)
D.P. 300 P.S.I. @ 250/-20 °F.
NOZZLES 8"-300 RF
- ② PROPANE-2 (ASME STAMP)
D.P. 300 P.S.I. @ 250/-20 °F.
NOZZLES 8"-300 RF
- ③ (2) FAN GUARDS W/ACCESS
- ④ (2) 40 HP, 1800 RPM,
460-3-60 V/PH/HZ.
XP MOTORS
- ⑤ (2) VIBRATION SWITCHES
- ⑥ MANUAL SHUTTER OPERATOR PROPANE-1
W/ (2) GROUND LEVEL OPERATORS
- ⑦ MANUAL SHUTTER OPERATOR PROPANE-2
W/ (2) GROUND LEVEL OPERATORS

REV.	DESCRIPTION	BY	DATE	APP'D	DATE	JOB STATUS:	CUSTOMER: TOROMONT	
1	REV FINISH FROM H-I-S S684 GRAY ENAMEL & RELEASED	PN	3/27/07	JR	3/27/07	RELEASED FABRICATION OF THIS ORDER HAS BEGUN	TAG: AC-100A/B	Air-X-Changers Harsco <small>Tulsa, OK</small>
							P.O. NO.: MP100417	
							AXC JOB NO.: 062704	
							DRAWN BY: PN	DATE: 12/16/06
							CHECKED BY: BK	DATE: 12/16/06
							DRAWING NO.: CERT	SCALE: 1:1
								REV. 1

NOTICE: THIS DOCUMENT CONTAINS PROPRIETARY INFORMATION AND IT SHALL NOT BE USED OR REPRODUCED OR CONTENTS DISCLOSED IN WHOLE OR IN PART WITHOUT PRIOR WRITTEN CONSENT FROM AIR-X-CHANGERS.

