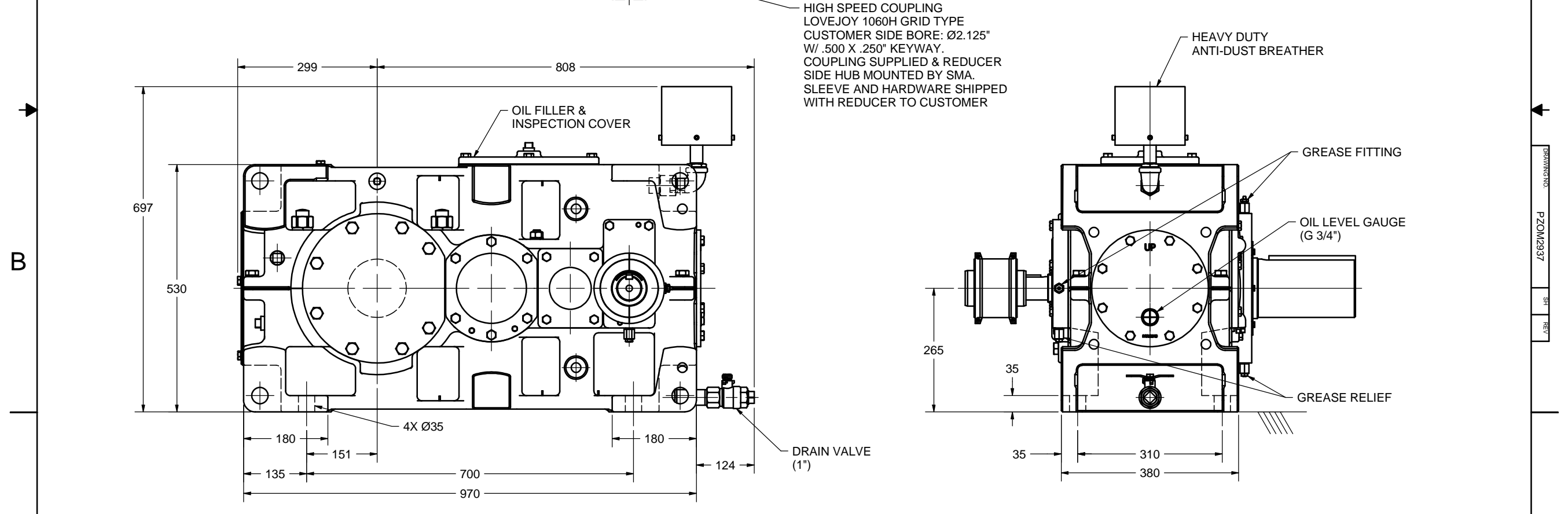


REVISION				
REV NO.	DESCRIPTION	BY	CHK	APPROVAL DATE

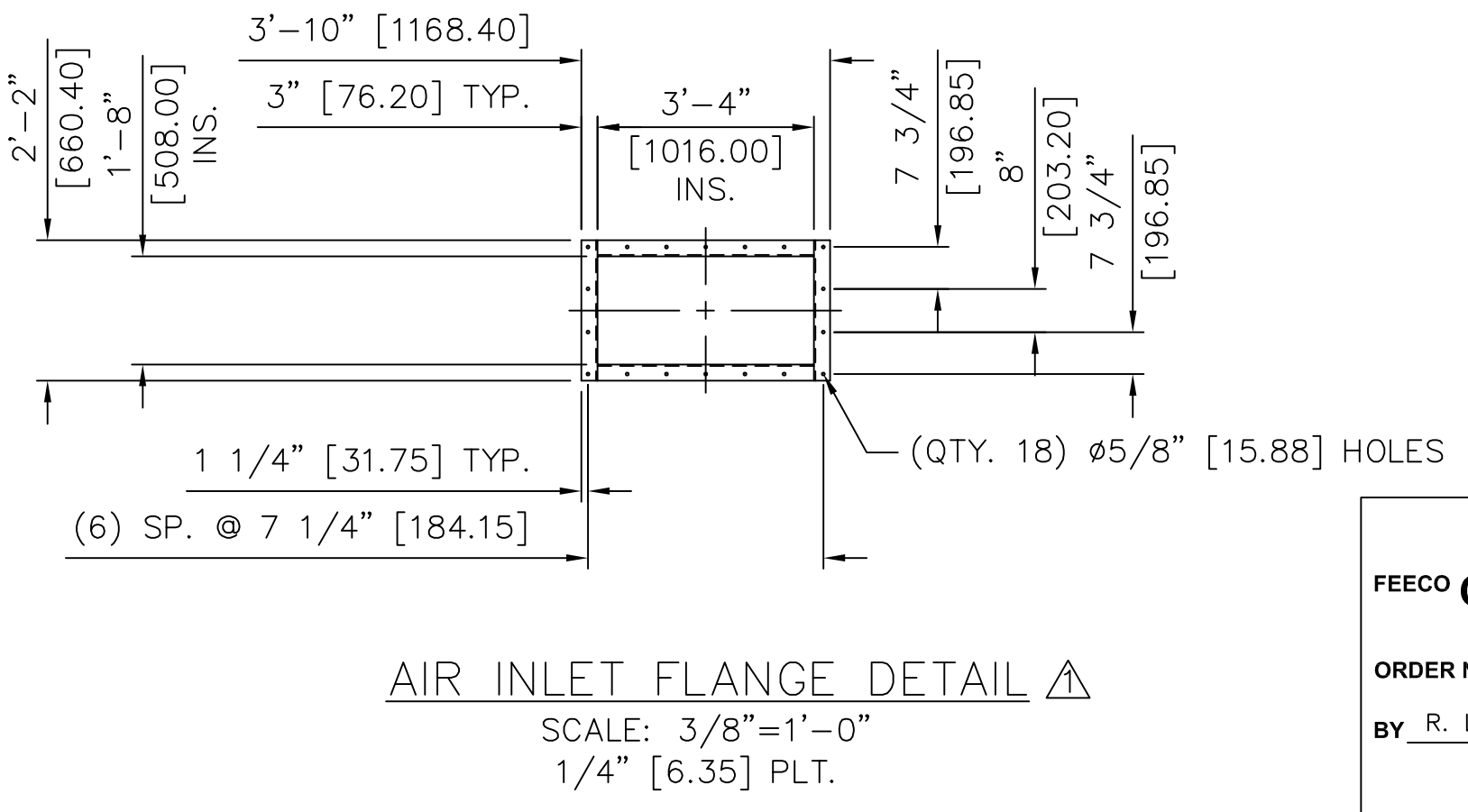
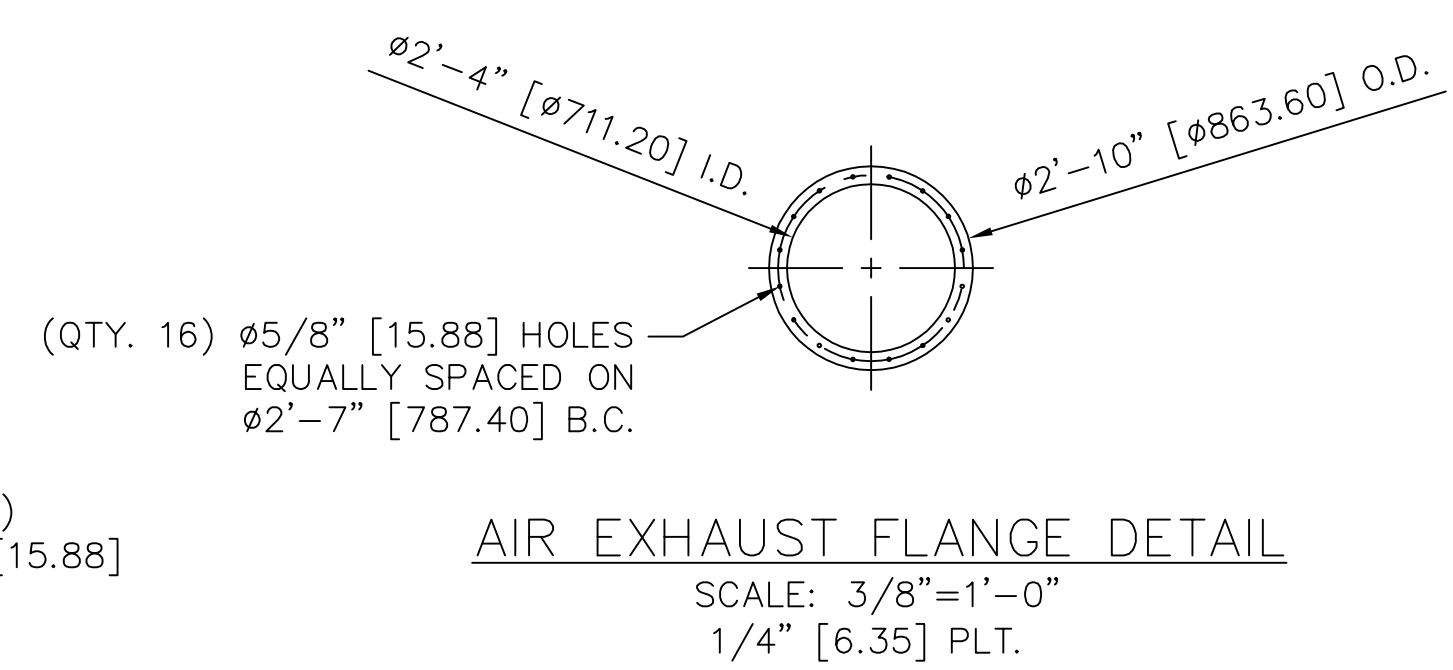
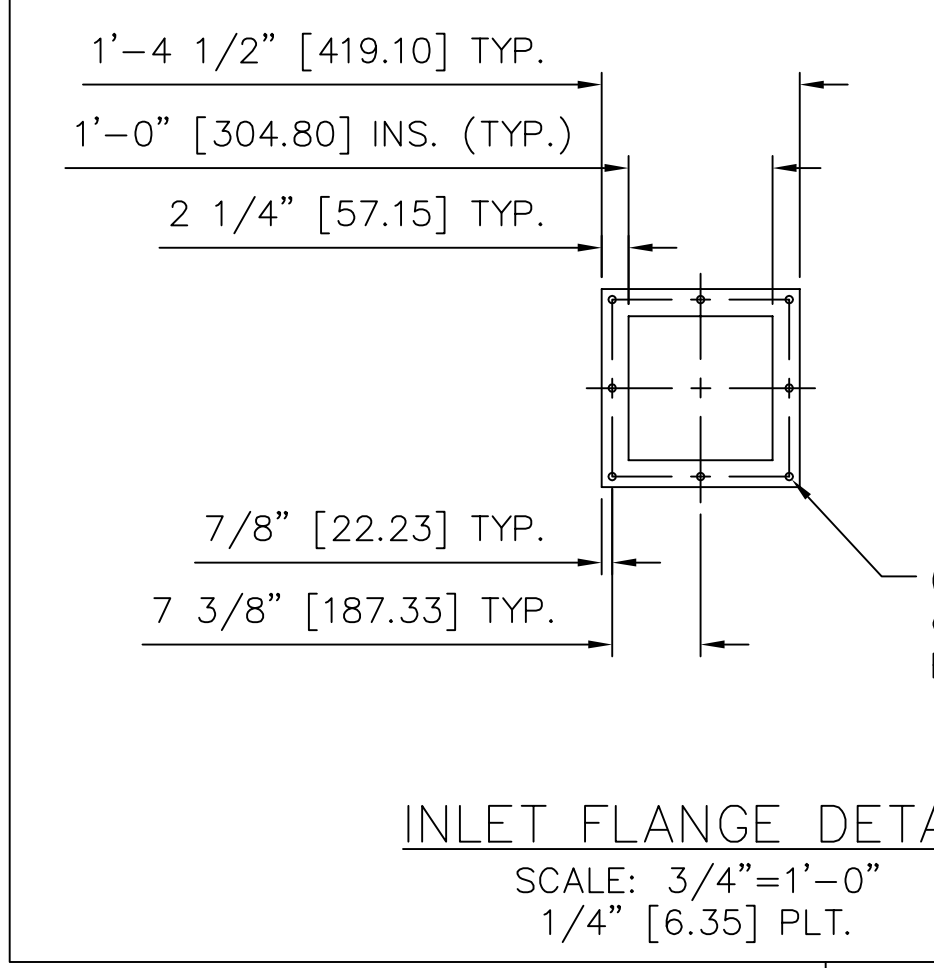
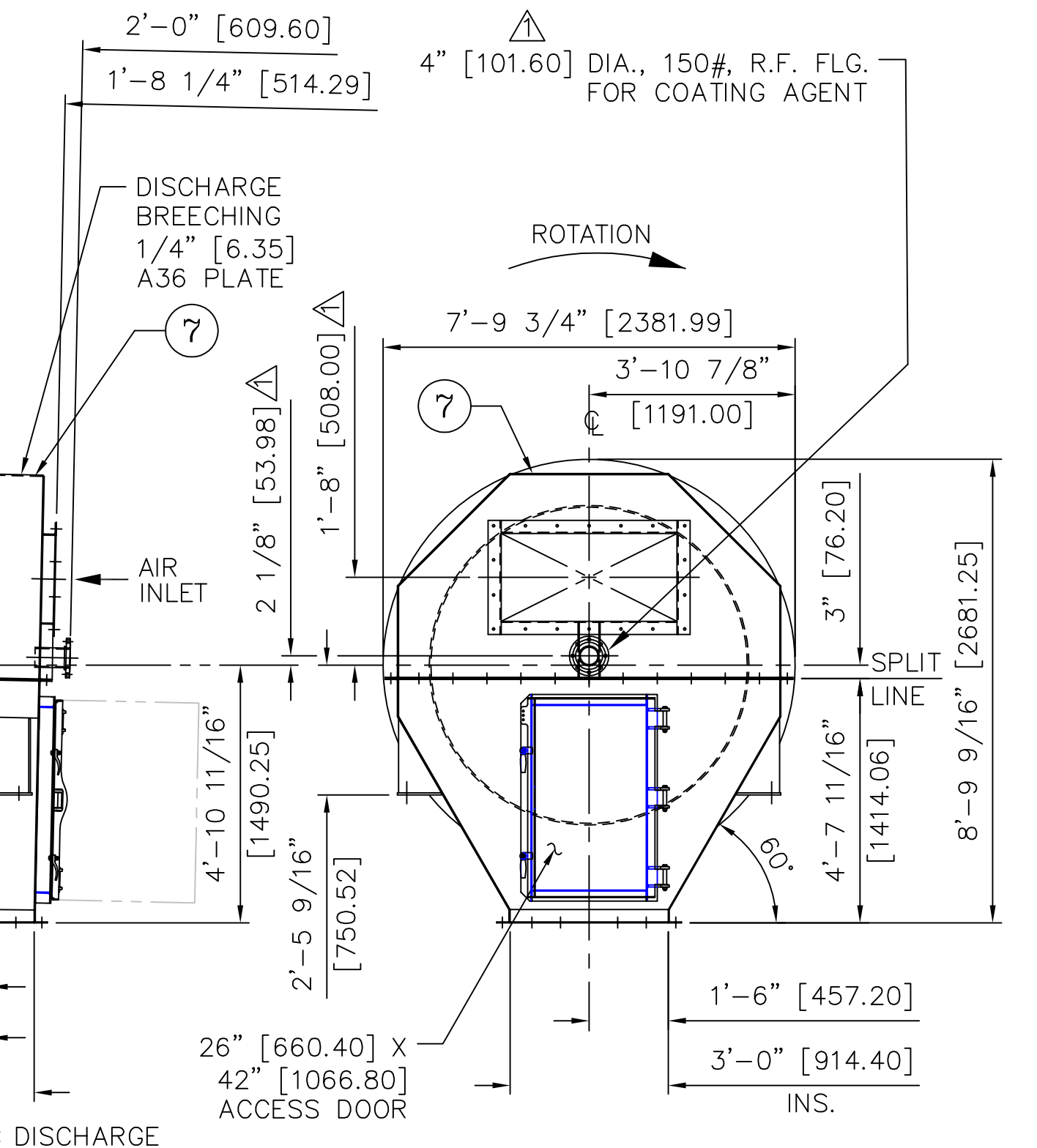
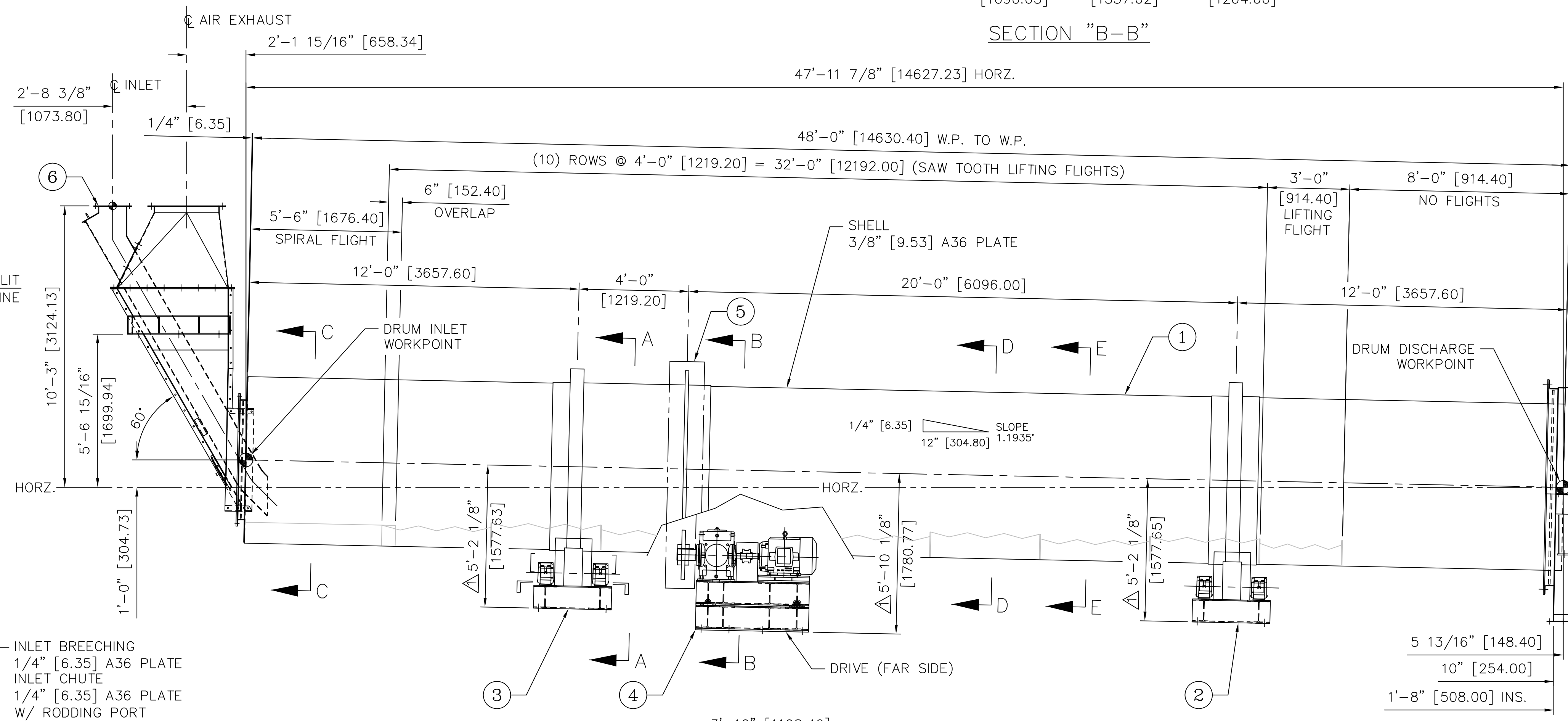
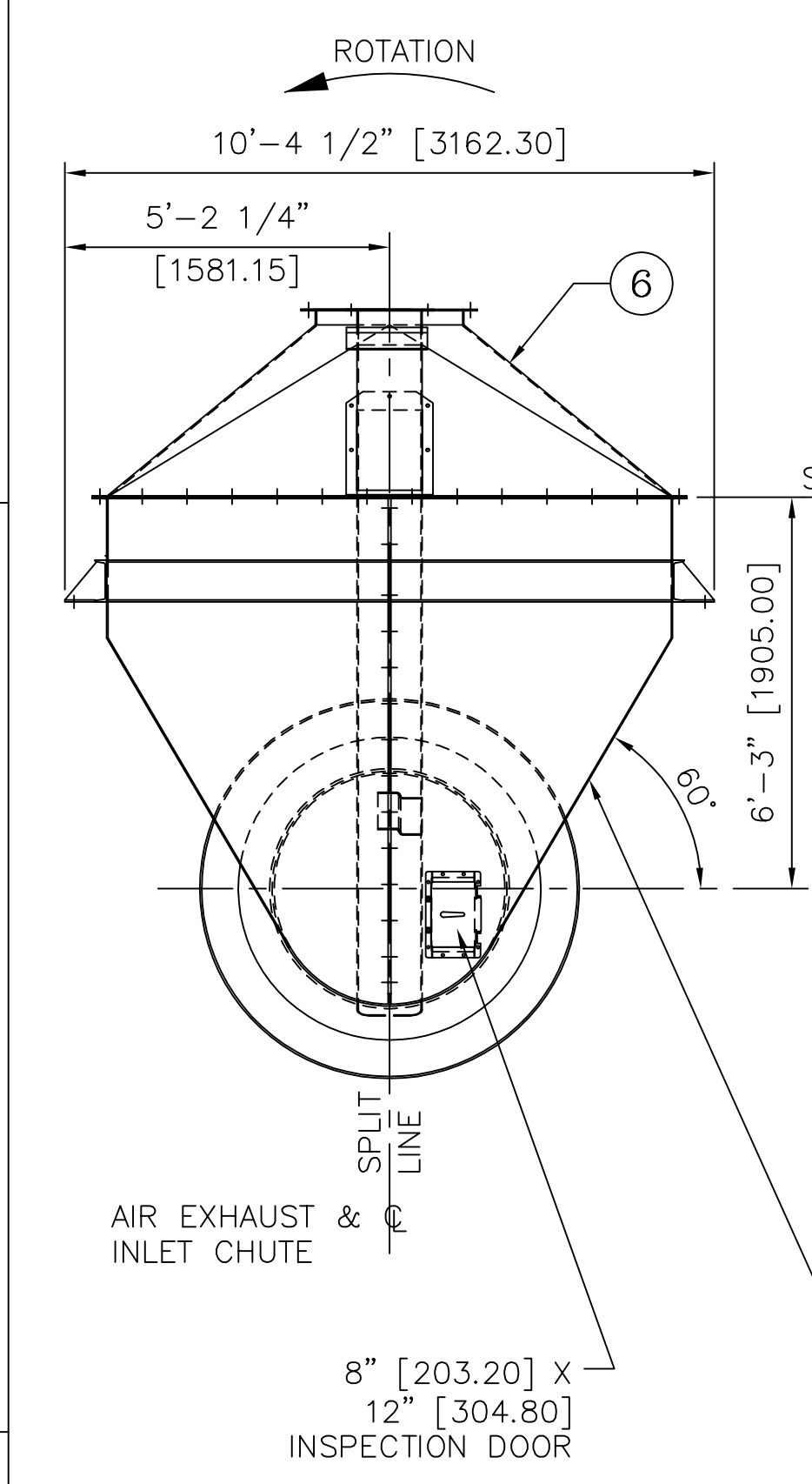
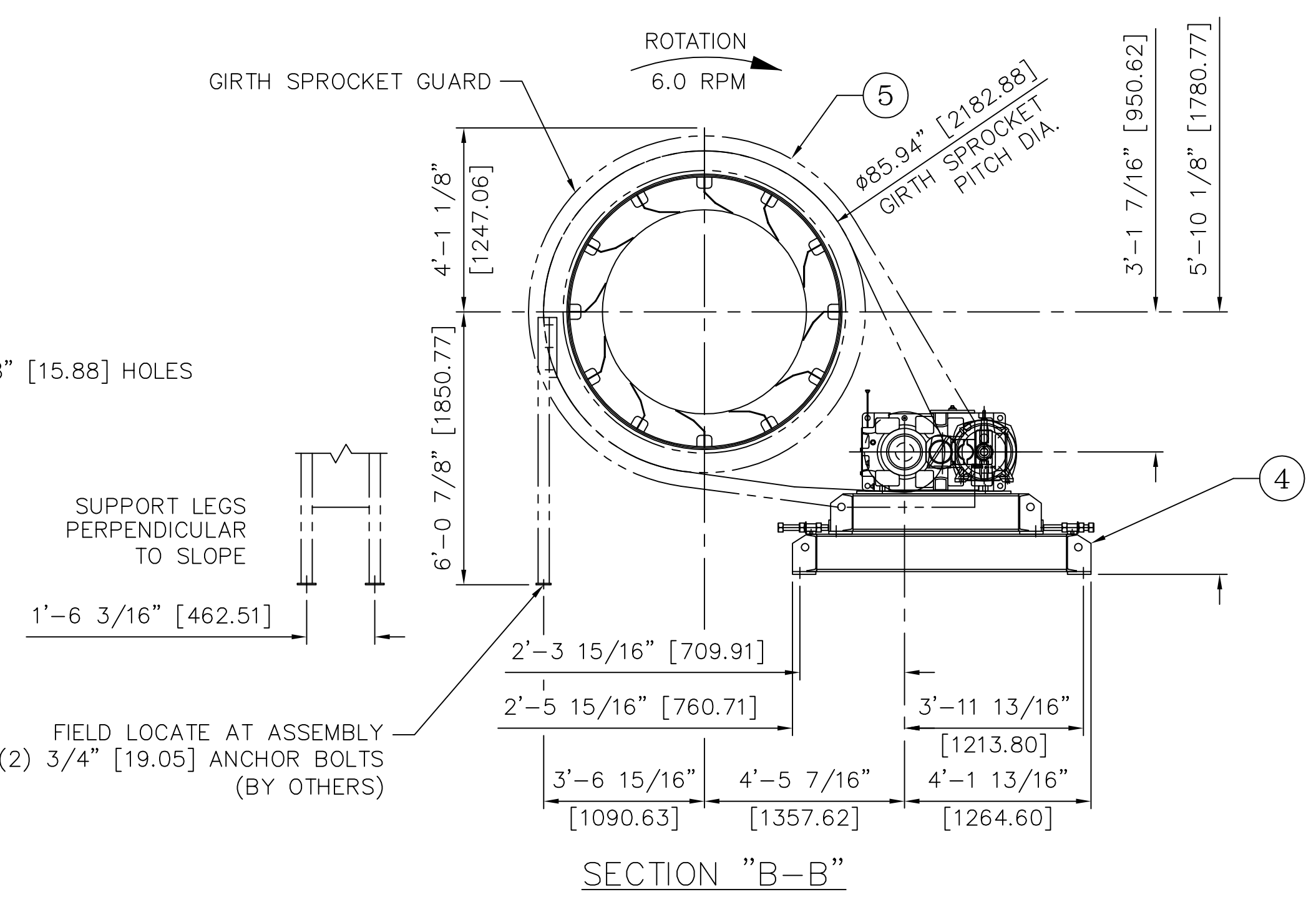
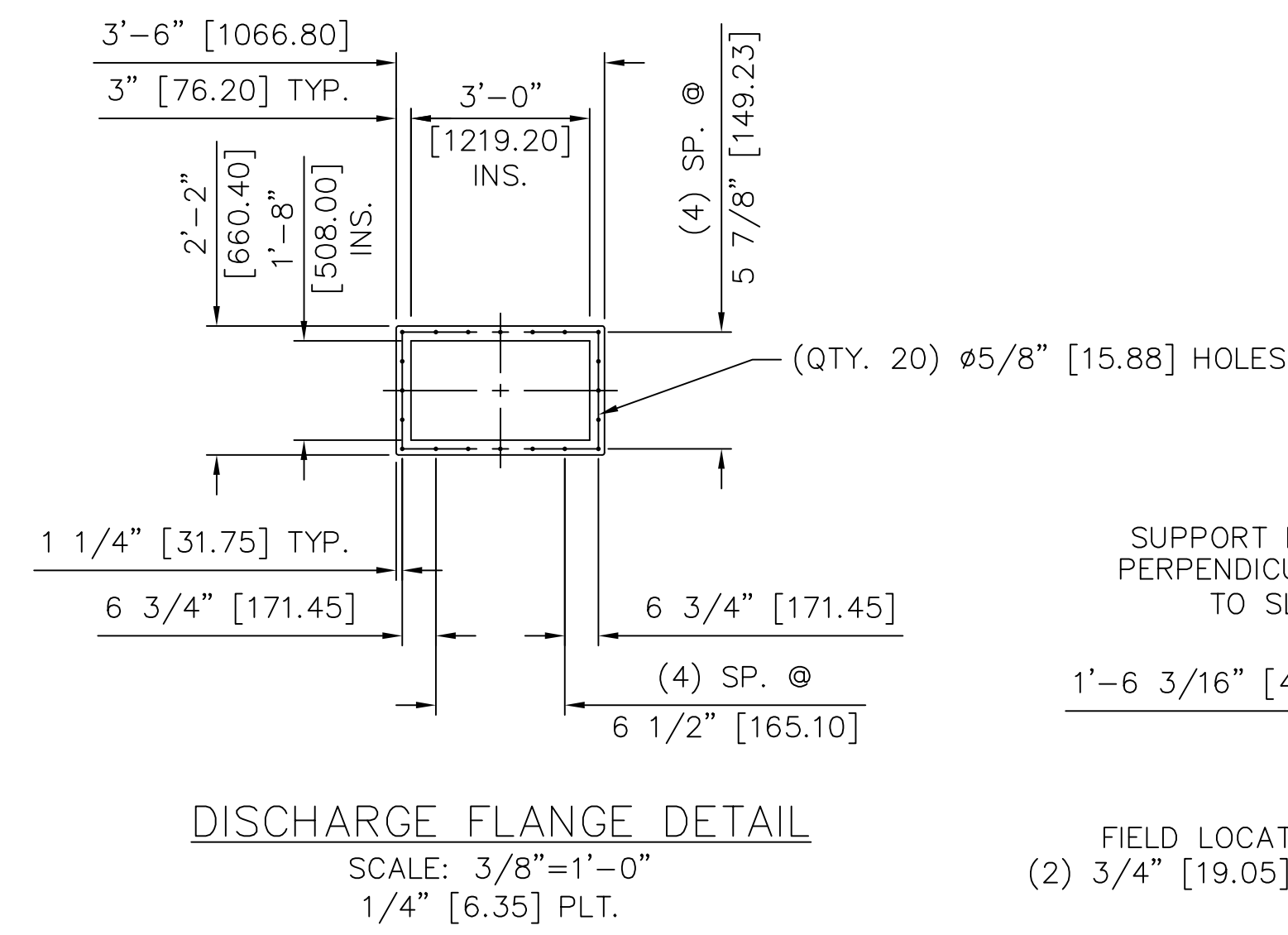
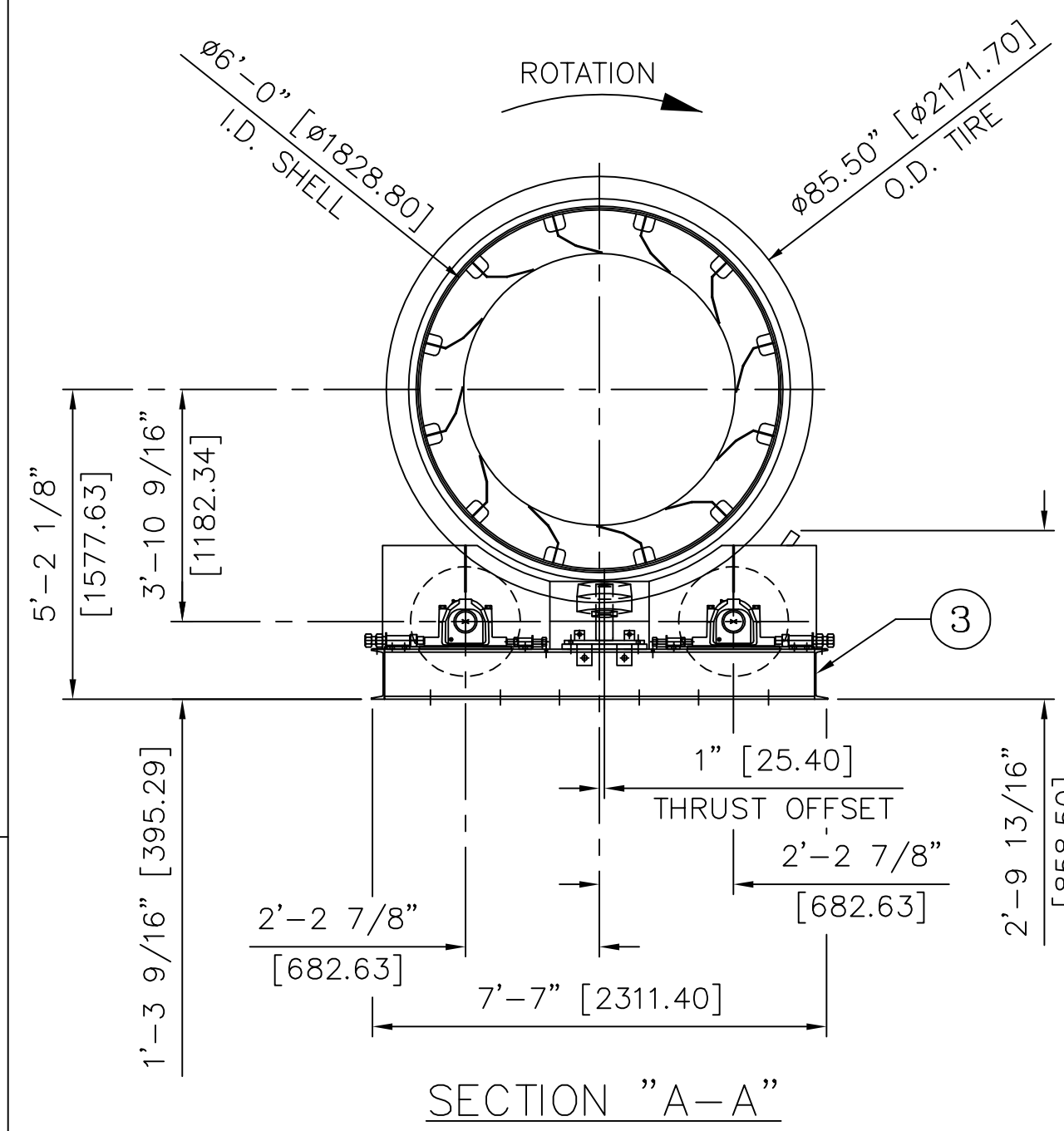


**CERTIFIED DRAWING**  
 PLEASE NOTE: Any changes made to this Certified Drawing **MAY** result in additional charges and/or time required for delivery. Please contact your sales person if you have any questions.

CERTIFIED DIMENSION DRAWING		Sumitomo Drive Technologies		Sumitomo Machinery Corporation of America		TITLE	
FOR	FEECO INTERNATIONAL	4200 HOLLAND BLVD., CHESAPEAKE, VA, 23323		THIRD ANGLE PROJECTION		PARAMAX	
CERTIFIED BY	MJ	(757)485-3355 FAX (757)487-3193		REFER TO ENGINEERING SPEC. EDC02-12-049 FOR MANUFACTURING NOTES AND TOLERANCES NOT LISTED ON THIS DRAWING.		OUTLINE DIMENSIONS	
P/O NUMBER	77844	<b>SPECIFICATIONS:</b>		The information and/or design or configuration disclosed herein or in articles delivered is proprietary with Sumitomo Machinery Corp., and shall not be duplicated, used or disclosed to reproduce articles or subject matter covered therein without written permission of Sumitomo Machinery Corp. of America.		MODEL : PHD9060P3-LR-71	
F/O NUMBER	VAEZB473-002	1. APPROX OIL QTY:	33 L	5. MECH RATING:	58.9 KW @ 1750 RPM	DRAWN	SVMelvin
MODEL	PHD9060P3-LR-71	2. APPROX TOTAL WT: W/ CPLG	667.3 KG	6. THERMAL RATING:	62.6 KW @ 37.8° C	DESIGNED	TLJ
RATIO	71:1	3. TYPE OF LUBE:	SPLASH	7. UNIT EQUIPPED W/ TACONITE SEALS		CHECKED	TLJ
DATE	01/20/2014	4. EXACT RATIO:	74.559 : 1			APPROVED	MJ
DIMENSIONS ARE IN MM				DRAWING NO. PZOM2937		DATE	1/13/2014
				SHEET		SCALE	1 : 6
				REV		BM NO.	QAP04289
						DRAWING NO.	PZOM2937
						SHEET	1 OF 1

PARTS LIST

BOM NO.	QTY	MATERIAL DESCRIPTION	ITEM NUMBER
1	1	SHELL_ASSY, DRUM, COOLER, 6'-0" I.D. X 48'-0" L.G.	1156487
2	1	BASE, TRUNNION ASSY, W/O THRUST, DRUM, >	1156503
3	1	BASE, TRUNNION ASSY, W/THRUST, DRUM, >	1156511
4	1	DRIVE ASSY, SPROCKET, DIRECT MOUNTED >	1156516
5	1	GUARD, GIRTH ASSY, DRUM, 6'-0" I.D., SPROCKET	1156530
6	1	INLET ASSY, DRUM, 6'-0" I.D.	1156539
7	1	DISCHARGE ASSY, DRUM, 6'-0" I.D.	1156544



**FEECO CERTIFIED PRINT**  
ORDER NO. 3371 DATE 03/27/14  
BY R. LOOCK SERIAL NO. 020134445

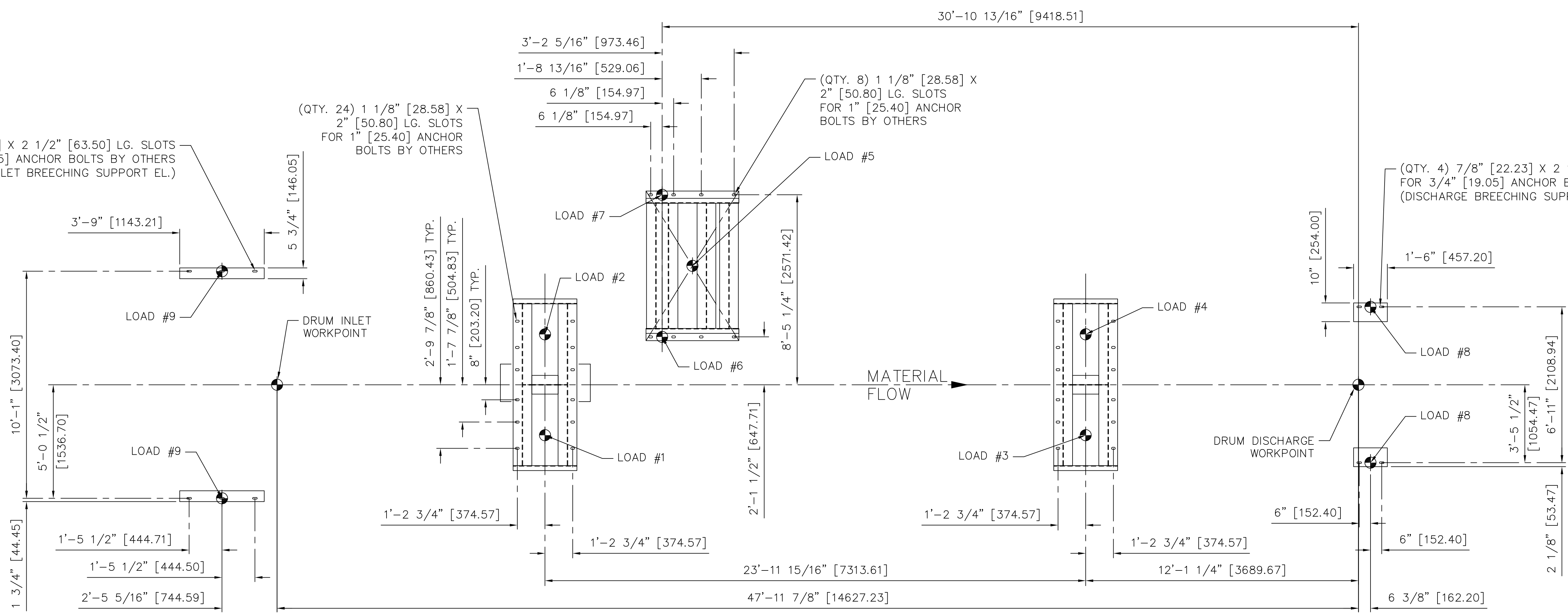
UNLESS OTHERWISE SPECIFIED DIMENSIONS ARE IN INCHES. THE FOLLOWING TOLERANCES APPLY:  
DECIMAL DIMENSIONS - .XX ±.01  
FRACTIONAL DIMENSIONS - XXX ±.015  
ANGULAR DIMENSIONS - INTERPRET DIM AND TOL PER ASME Y14.5M - 1994  
THIRD ANGLE PROJECTION

REV	DATE	DESCRIPTION	BY	APPRV
2	03/27/14	ADDED BOM. SENT CERTIFIED	LV	RL
1	12/11/13	REVISED PER CUSTOMER, SENT CERTIFIED	BWJ	RL
0	11/07/13	SUBMITTED FOR APPROVAL	BWJ	RL

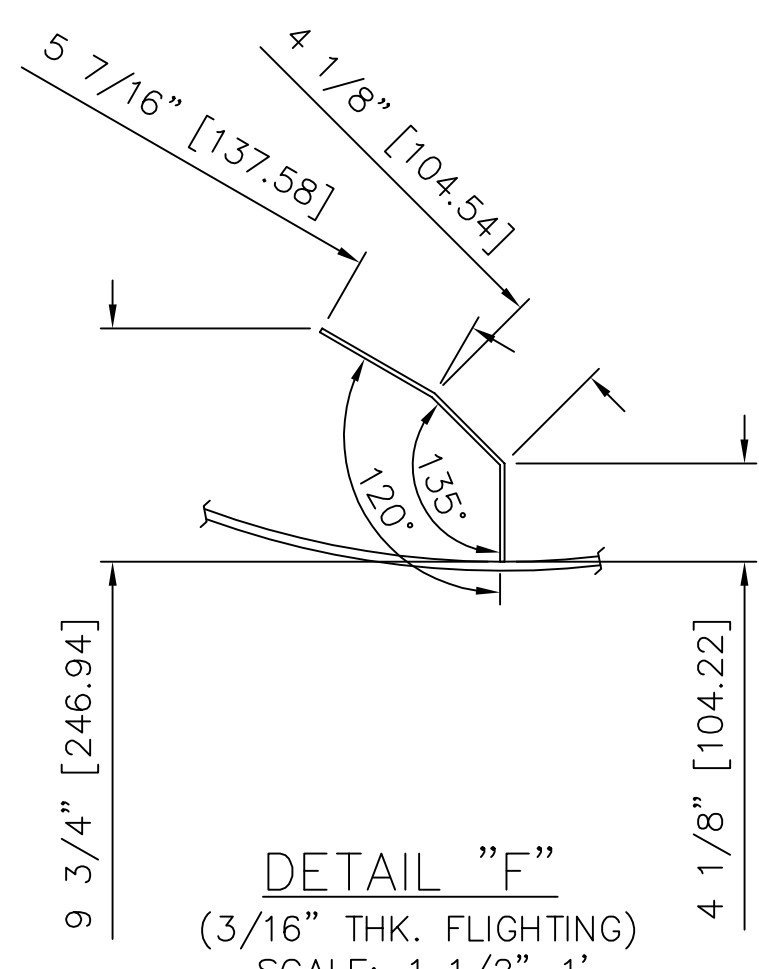
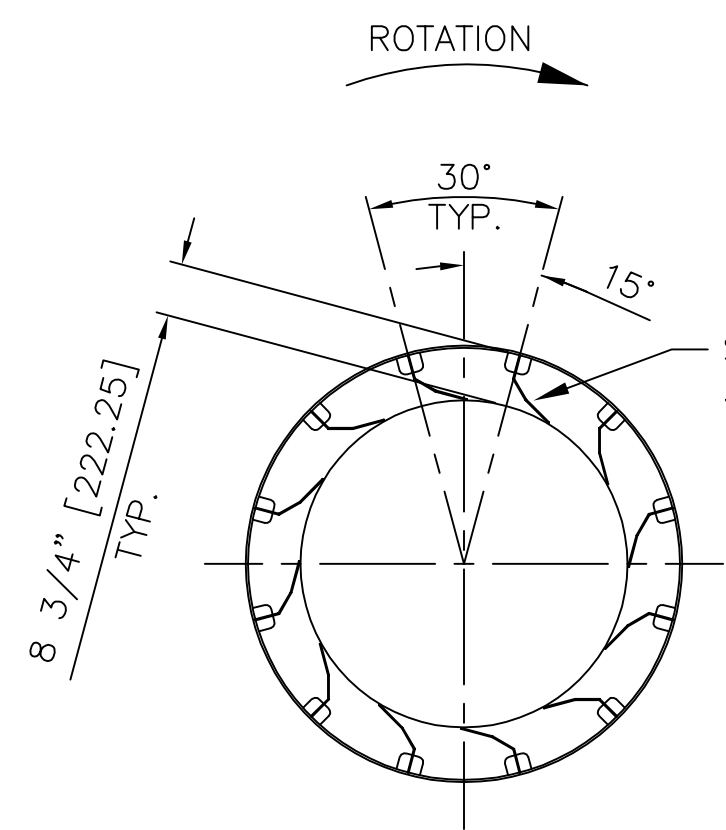
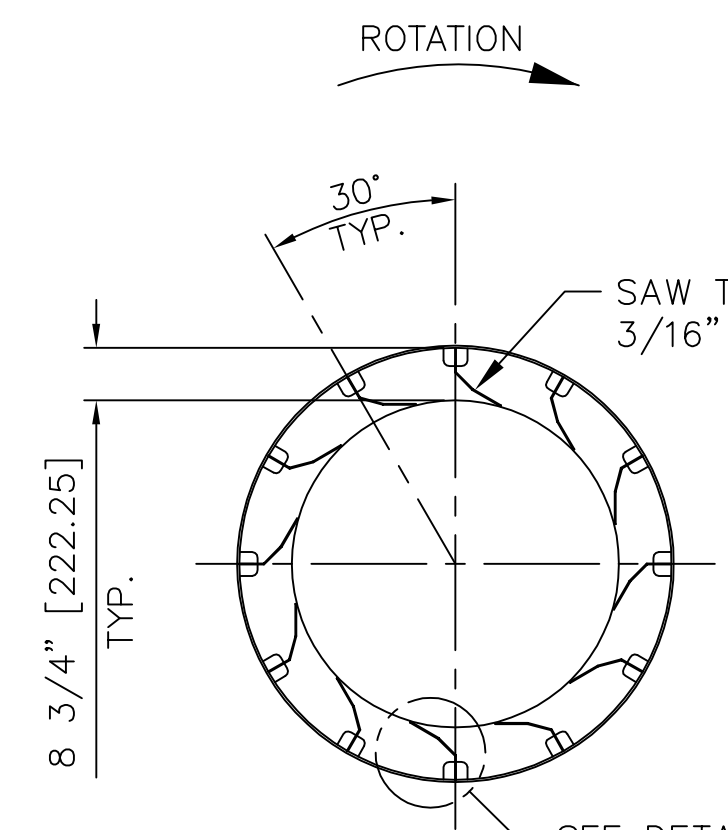
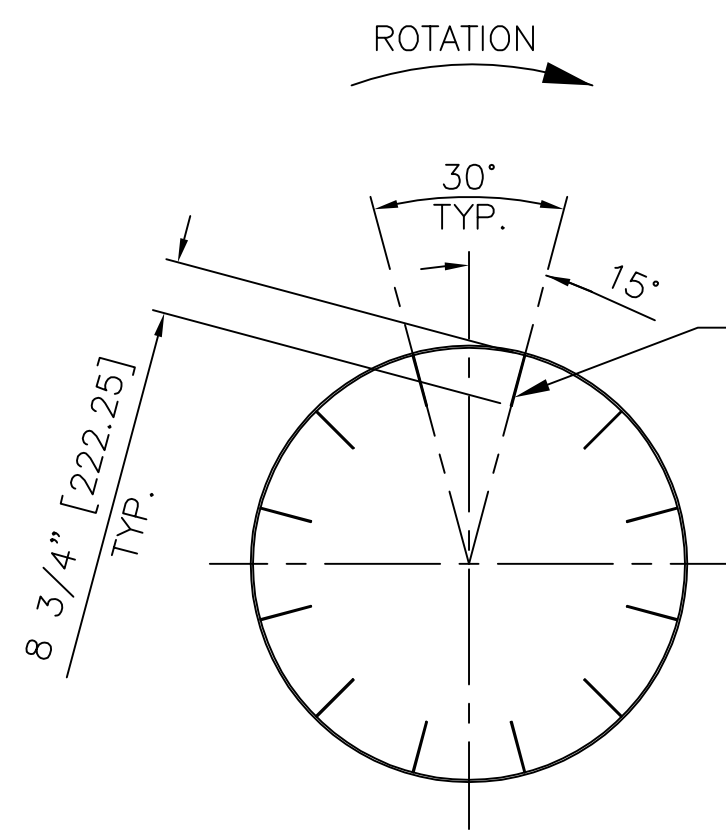
USED ON: 3371/9563-0000

DRAWN	DATE	TITLE	WEIGHT (U.S. LBS.)	SIZE	DWG. NO.	REV.
BWJ	09/30/13	GENERAL ARRANGEMENT PELLET ROTARY COOLER DRUM, D-603 6'-0" I.D. X 48'-0" L.G., (COUNTER-CURRENT) 3/8" A36 STEEL CONST. SULVARIS - VITASUL PROJECT	0.00	D	1155690	2

SCALE: 3/8"=1'  
SHEET 1 OF 2



ANCHOR BOLT PLAN



LOADS SUMMARY						
Load #	D vert	D hor	L vert	L hor	I vert	I hor
Load #1	11.0	1.0**	7.0	1.0**	8.0	1.0**
Load #2	11.0	1.0**	4.0	1.0**	6.0	1.0**
Load #3	11.0	1.0**	7.0	1.0**	8.0	1.0**
Load #4	11.0	1.0**	4.0	1.0**	6.0	1.0**
Load #5	9.0		4.0			
Load #6			1.0	2.0*	1.0	1.0*
Load #7			-2.0	2.0*	-1.0	1.0*
Load #8	2.0		1.0			
Load #9	2.0		1.0			

Notes:  
 -All loads are in kips.  
 -No factors or reductions have been applied to the loads.  
 -Loads are worst case for locations shown.  
 -A negative magnitude for vertical loads indicates uplift.  
 -\*If value is negative, direction of load is perpendicular to the drum centerline, towards drum; if value is positive, direction of load is away from drum.  
 -\*\*Direction of load is parallel to drum centerline, towards drum discharge  
 D = dead load L = live load I = impact load

NOTE:  
 SECTION VIEWS ARE LOOKING FROM DISCHARGE END WITH A CW ROTATION.

NOTE: PAINT  
 PAINT PREP: STANDARD SURFACE PREP SSPC-SP-6 STEEL GRIT  
 PRIMER COAT: SHERWIN WILLIAMS RED STEEL SPEC UNIVERSAL PRIMER (B50RW3)  
 FINISH COAT: EQUIPMENT - SHERWIN WILLIAMS KEM 4000, HIGH SOLIDS ACRYLIC COLOR - BLUEPRINT BLUE (SW4056)  
 FINISH COAT: GUARDS - SHERWIN WILLIAMS KEM 4000, HIGH SOLIDS ACRYLIC COLOR - SAFETY YELLOW  
 VENDOR SUPPLIED COMPONENTS COME WITH THEIR STANDARD PAINT SYSTEM

SEE SHEET 1 FOR REVISIONS

<b>FEECO CERTIFIED PRINT</b> ORDER NO. 3371 DATE 03/27/14 BY R. LOOCK SERIAL NO. 020134445	UNLESS OTHERWISE SPECIFIED DIMENSIONS ARE IN INCHES. THE FOLLOWING TOLERANCES APPLY: DECIMAL DIMENSIONS - .XX ±.01 FRACTIONAL DIMENSIONS - XXX ±.010 ANGULAR DIMENSIONS - ±.25° INTERPRET DIM AND TOL PER ASME Y14.5M - 1994		USED ON: 3371/9563-0000	
	DRAWN BWJ	DATE 09/30/13	<b>FEECO INTERNATIONAL</b> GREEN BAY, WISCONSIN, U.S.A. (920)469-5100 FAX: 469-5110 (800)373-9347	
	CHECKED RL	DATE 11/06/13	TITLE GENERAL ARRANGEMENT PELLET ROTARY COOLER DRUM, D-603 6'-0" I.D. X 48'-0" LG. (COUNTER-CURRENT) 3/8" A36 STEEL CONST. SULVARIS - VITASUL PROJECT	
	ENGINEER BL	DATE 11/06/13	RELEASED DATE	DWG. NO. 1155690 SCALE: 3/8"=1' SHEET 2 OF 2

8

7

6

5

4

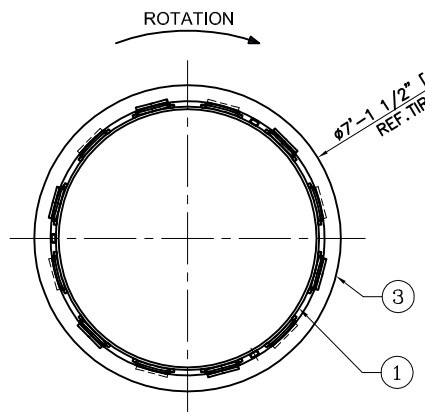
3

2

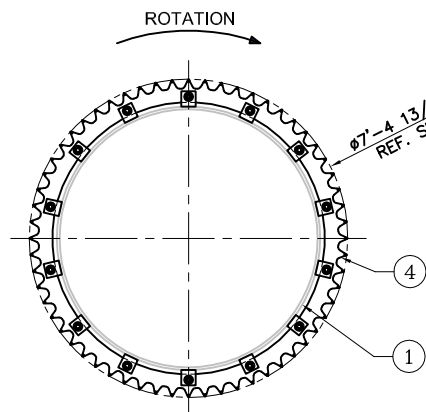
1

PARTS LIST

ITEM NO.	QTY	MATERIAL DESCRIPTION	LENGTH	JOB NO.	ITEM NUMBER	TOTAL QUANTITY	WEIGHT
1	1	SHELL, WELDMENT, DRUM, COOLER, 6'-0" ID			1156488	1.00	31492.49
2	1	SHELL, INTERNAL ASSY, DRUM, COOLER			1156494	1.00	4779.19
3	2	TIRE, FLOATATION, MOUNTING ASSY, DRUM			1156498	2.00	5527.72
4	1	SPROCKET, GIRTH, MOUNTING ASSY, DRUM			1156476	1.00	853.07
5	8	PLATE, SEAL, LABYRINTH, INLET, DRUM			1156502	8.00	136.24
6	24	BOLT, HCS, 1/2-13NCX2, GR-5, PLATED			11424	24.00	3.36
7	48	WASHER, FLAT, 1/2, GR-2, PLATED			1142412	48.00	21.60
8	24	WASHER, LOCK, SPLIT, 1/2, GR-2, PLATED			1099137	24.00	0.24
9	24	NUT, HEX, 1/2-13NC, GR-5, PLATED			1099151	24.00	0.96



SECTION "A - A"  
SCALE: 1/2"=1'  
ZONE B-6



SECTION "B - B"  
SCALE: 1/2"=1'  
ZONE B-5

48'-3 3/4" [14725.65] OVERALL

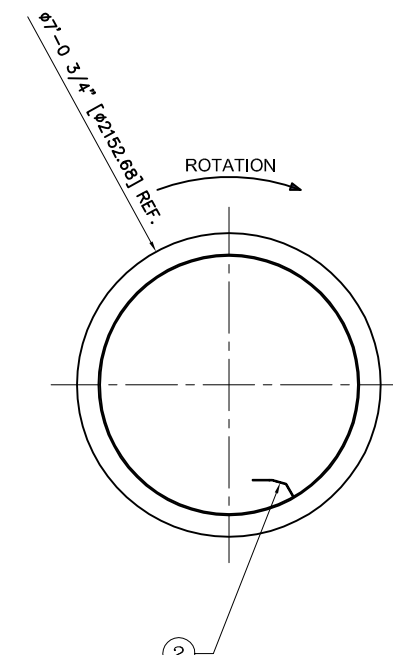
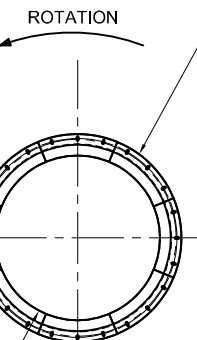
48'-0" [14630.40] REF.

3 3/4" [95.25] REF.

12'-0" [3657.60] REF.

24'-0" [7315.20] REF.

4'-0" [1219.20] REF.



W.P. INLET

W.P. DISCHARGE

6" [152.40] REF.

1 1/2" [38.10] REF.

6" [152.40] REF.

3/8" [9.53] REF.

66'-0" [1828.80] REF.

UNLESS OTHERWISE SPECIFIED DIMENSIONS ARE IN INCHES. THE FOLLOWING TOLERANCES APPLY: DECIMAL DIMENSIONS - ±.01 FRACTIONAL DIMENSIONS - ±.005 ANGULAR DIMENSIONS - ±.05° INTERPRET DIM AND TOL PER ASME Y14.5M-2009		DRAWN DATE GREGM 01/09/14			GREEN BAY, WISCONSIN, U.S.A. (920)469-5100 FAX: 469-5110 (800)373-9347		
THIS DRAWING AND THE INFORMATION CONTAINED HEREIN IS SUBMITTED CONFIDENTIALLY AND IS THE PROPERTY OF FEECO INTERNATIONAL. USE, REPRODUCTION OR DISCLOSURE OF THE CONTENTS OF THIS DRAWING (OR ANY PORTION THEREOF) FOR ANY PURPOSE MUST BE APPROVED IN WRITING BY FEECO INTERNATIONAL.		CHECKED DATE LP 01/15/14			TITLE SHELL, ASSY, DRUM, COOLER, 6'-0" ID X 48'-0" LG A36 MATL		
THIRD ANGLE PROJECTION		ENGINEER DATE -----			DWG. NO. 1156487		
		RELEASED DATE -----			WEIGHT (U.S. LBS) SIZE 42614.87 D		
				REV: 0		SCALE: 1/2"=1' SHEET 1 OF 1	

8

7

6

5

4

3

2

1

8

7

6

5

4

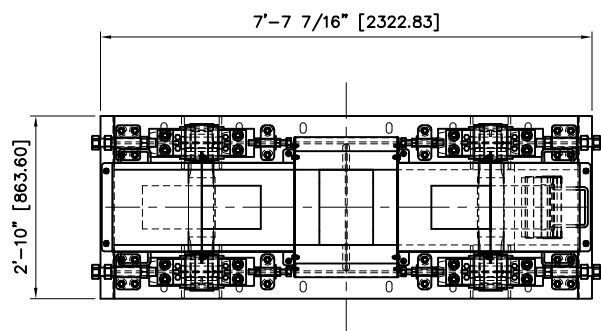
3

2

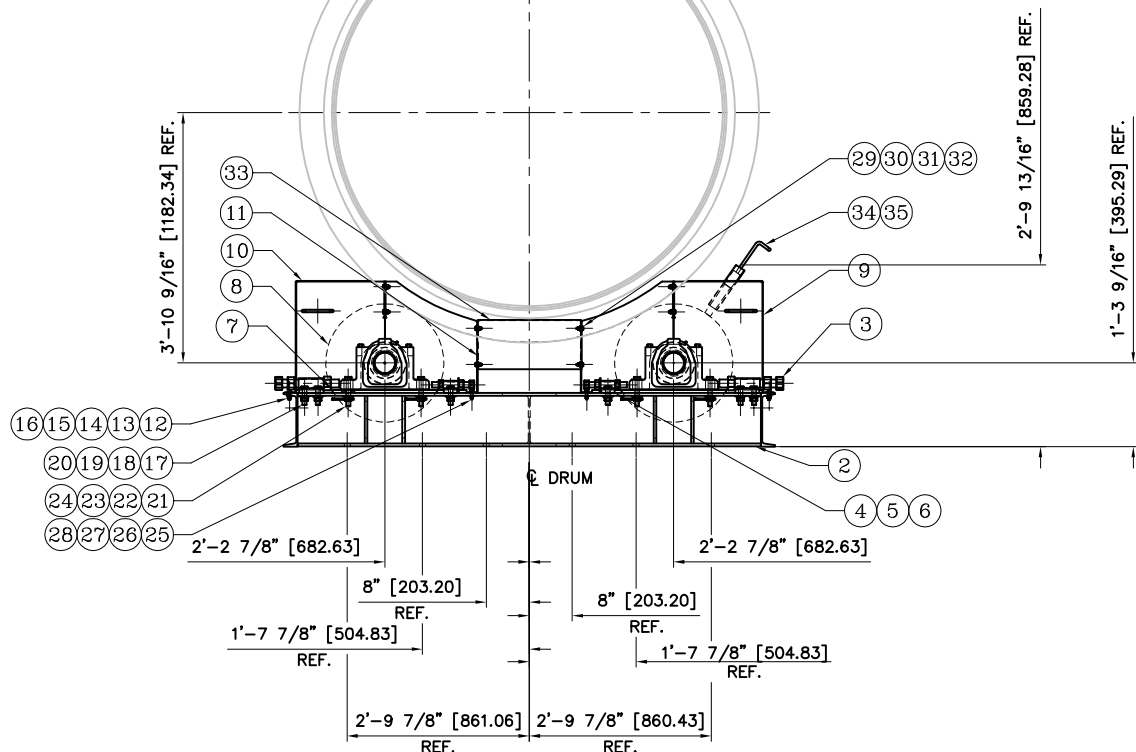
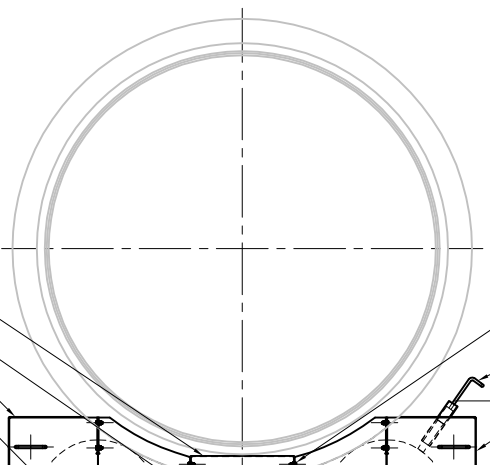
1

### PARTS LIST

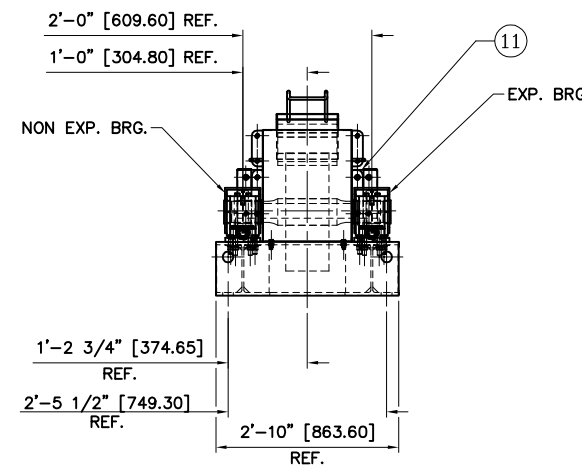
ITEM NO.	QTY	MATERIAL DESCRIPTION	LENGTH	JOB NO.	ITEM NUMBER	TOTAL QUANTITY	WEIGHT
1	1	BASE,TRUNNION,MARKINGS			S2UB0145.145A	1.00	
2	1	BASE,WELDMENT,TRUNNION,W/O_THRUST>			1156504	1.00	1005.26
3	4	BLOCK,PUSH,4-BOLT,1-1/2X12UNF	CP-S		1120017	4.00	67.20
4	4	BLOCK,PUSH,2-BOLT,1-1/2X12UNF	CP-S		1110920	4.00	20.76
5	4	BOLT,FAB,1-1/2X12UNF			1124522G	4.00	8.80
6	4	NUT,HEX,1-1/2X12UNF			1132146	4.00	3.76
7	4	SLIDE PLATE, BEARING, 14GA, SST>			1110434L	4.00	9.00
8	2	WHEEL,TRUNNION,ASSY,W/3-15/16" BEARING			1156478	2.00	2290.42
9	1	GUARD,WHEEL,ASSY,W/LUBE,TRUNNION>			1156507	1.00	60.68
10	1	GUARD,WHEEL,ASSY,W/O_LUBE,TRUNNION>			1156509	1.00	54.53
11	2	GUARD,TIRE,W/O_THRUST,DRUM,6"-0"ID			1156510	2.00	7.42
12	4	BOLT,HCS,3/8-16NCX1-1/2,GR-5	PP-S		11374	4.00	0.23
13	4	NUT,HEX,3/8-16NC,GR-5,PLATED	PP-S		1099149	4.00	0.06
14	4	WASHER,FLAT,3/8,GR-2,PLATED	PP-S		1099097	4.00	0.06
15	4	WASHER,LOCK,SPLIT,3/8,GR-2,PLATED	PP-S		1099233	4.00	0.02
16	4	WASHER,BEVEL,3/8,GR-2,PLATED	PP-S		1100419	4.00	0.31
17	24	BOLT,HCS,3/4-10NCX3,GR-5,PLATED	PP-S		11478	24.00	11.41
18	24	NUT,HEX,3/4-10NC,GR-5,PLATED	PP-S		1099153	24.00	2.86
19	24	WASHER,FLAT,3/4,GR-2,PLATED	PP-S		10337	24.00	2.64
20	24	WASHER,LOCK,SPLIT,3/4,GR-2,PLATED	PP-S		10338	24.00	0.95
21	16	BOLT,HCS,3/4-10NCX5,GR-5			11489	16.00	11.59
22	16	NUT,FAB,SELF_HOLD,3/4-10NC			1155246	16.00	7.20
23	32	WASHER,FLAT,3/4,GR-2,PLATED	PP-S		10337	32.00	3.52
24	16	WASHER,LOCK,SPLIT,3/4,GR-2,PLATED	PP-S		10338	16.00	0.63
25	4	BOLT,HCS,3/8-16NCX1-1/2,GR-5	PP-S		11374	4.00	0.23
26	4	NUT,HEX,3/8-16NC,GR-5,PLATED	PP-S		1099149	4.00	0.06
27	4	WASHER,FLAT,3/8,GR-2,PLATED	PP-S		1099097	4.00	0.06
28	4	WASHER,LOCK,SPLIT,3/8,GR-2,PLATED	PP-S		1099233	4.00	0.02
29	16	BOLT,HCS,3/8-16NCX1,GR-5,PLATED	PP-S		11372	16.00	0.67
30	16	NUT,HEX,3/8-16NC,GR-5,PLATED	PP-S		1099149	16.00	0.26
31	32	WASHER,FLAT,3/8,GR-2,PLATED	PP-S		1099097	32.00	0.48
32	16	WASHER,LOCK,SPLIT,3/8,GR-2,PLATED	PP-S		1099233	16.00	0.10
33	2	GUARD,THRUST,ROLLER			1156502	2.00	15.90
34	1	GRAPHITE_BLOCK,8"x6-1/2"x1-1/4" THK			STZD17B	1.00	4.00
35	1	WEIGHT,GRAPHITE			SXPYAN48	1.00	11.10



ROTATION



AS VIEWED FROM DISCHARGE END



SLOPE

USED ON: 3371/9563-0021

UNLESS OTHERWISE SPECIFIED DIMENSIONS ARE IN INCHES. THE FOLLOWING TOLERANCES APPLY:  
 DECIMAL DIMENSIONS - .015  
 FRACTIONAL DIMENSIONS - 1/16"  
 ANGULAR DIMENSIONS - 1/16"  
 INTERPRET DIM AND TOL PER ASME Y14.5M-2009

DRAWN: KAANANK  
 DATE: 01/08/14  
 CHECKED: LP  
 DATE: 1/7/13  
 ENGINEER: ---  
 DATE: ---  
 RELEASED: ---  
 DATE: ---

**FEECO INTERNATIONAL**  
 GREEN BAY, WISCONSIN, U.S.A.  
 (920)469-5100 FAX: 469-5110  
 (800)373-9347

TITLE: BASE,TRUNNION,ASSY,W/O\_THRUST,DRUM,>  
 6'-0" ID

THIRD ANGLE PROJECTION

WEIGHT (U.S. LBS): 3486.82  
 SIZE: D  
 DWG. NO.: 1156503  
 REV: 0  
 SCALE: 3/4"=1" SHEET 1 OF 1

8

7

6

5

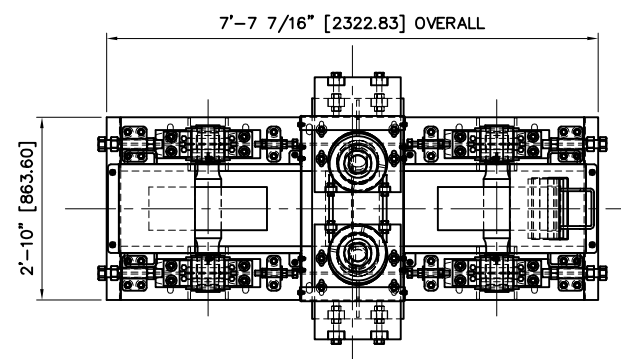
4

3

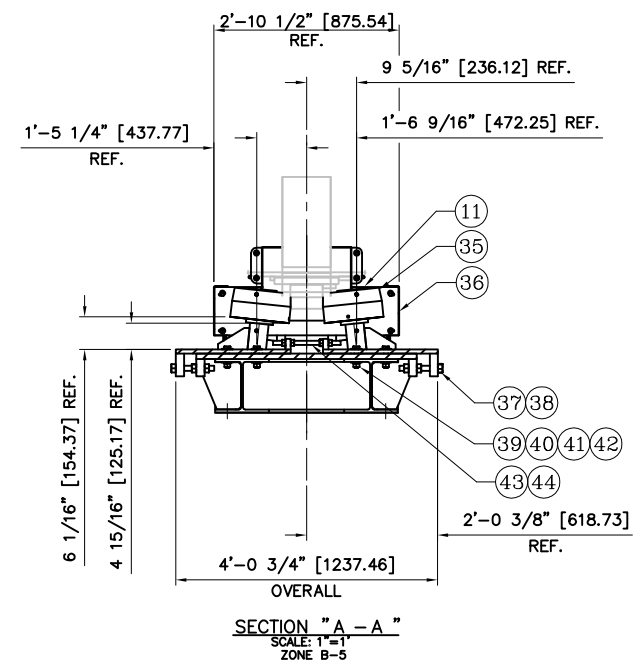
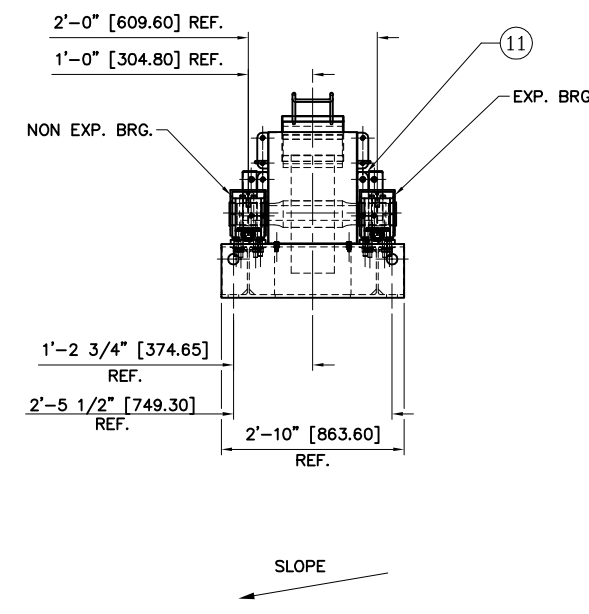
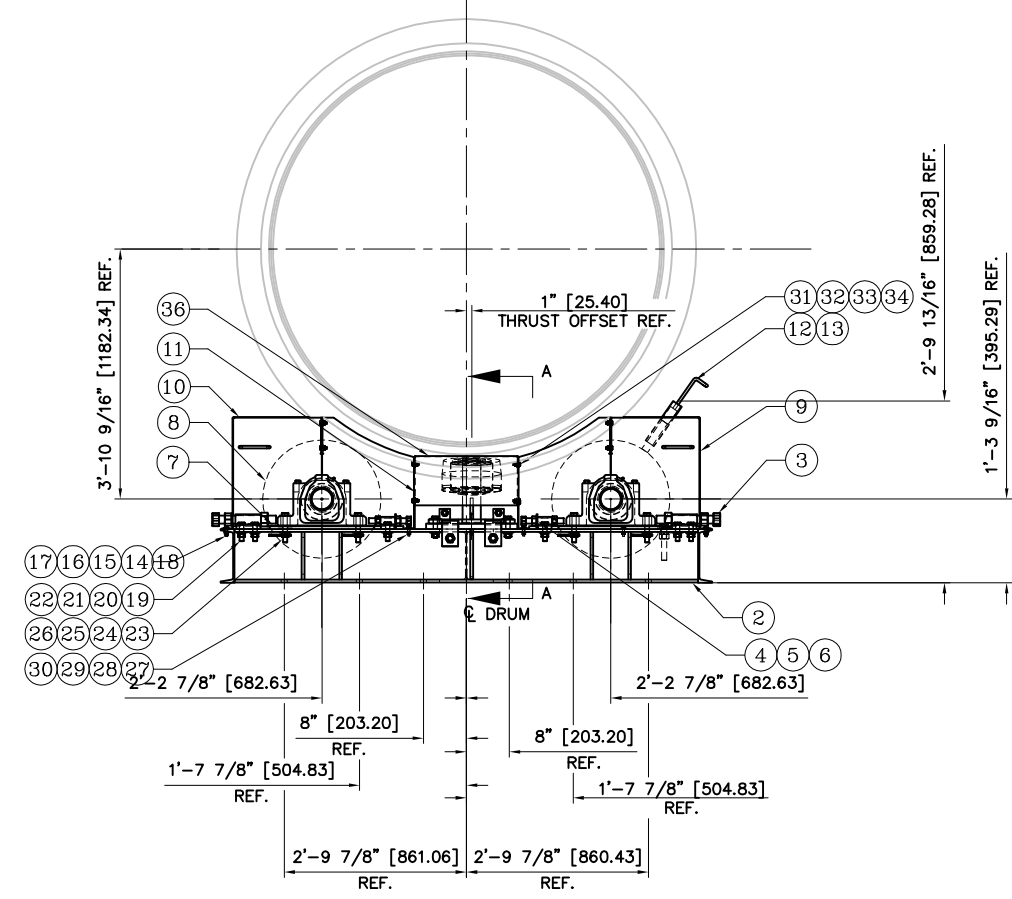
2

1

8 7 6 5 4 3 2 1



ROTATION



PARTS LIST

ITEM NO.	QTY	MATERIAL DESCRIPTION	LENGTH	JOB NO.	ITEM NUMBER	TOTAL QUANTITY	WEIGHT
1	1	BASE, TRUNNION, MARKINGS			S2UB0145.145A	1.00	
2	1	BASE, WELDMENT, TRUNNION, W/THRUST, >			1156512	1.00	1231.70
3	4	BLOCK, PUSH, 4-BOLT, 1-1/2X12UNF	CP-S		1120017	4.00	67.20
4	4	BLOCK, PUSH, 2-BOLT, 1-1/2X14UNF	CP-S		1110920	4.00	5.19
5	4	BOLT, HEX, 1-1/4X1/2			1124522G	4.00	8.80
6	4	BOLT, HEX, 1-1/4X1/2, GR-5, ZINC PLATED			1132146	4.00	3.76
7	4	SLIDE PLATE, BEARING, 14GA SS			1110434L	4.00	9.00
8	2	WHEEL, TRUNNION ASSY, W/3-15/16\"/>					

8 7 6 5 4 3 2 1

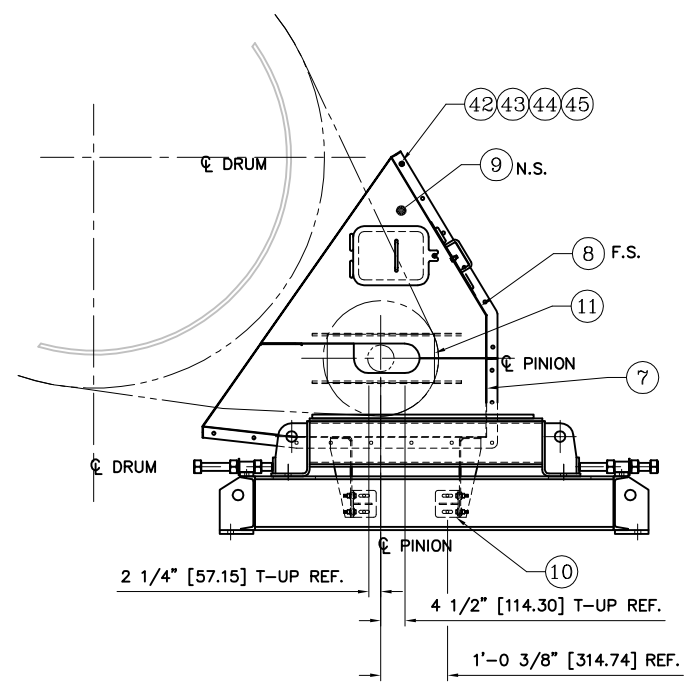
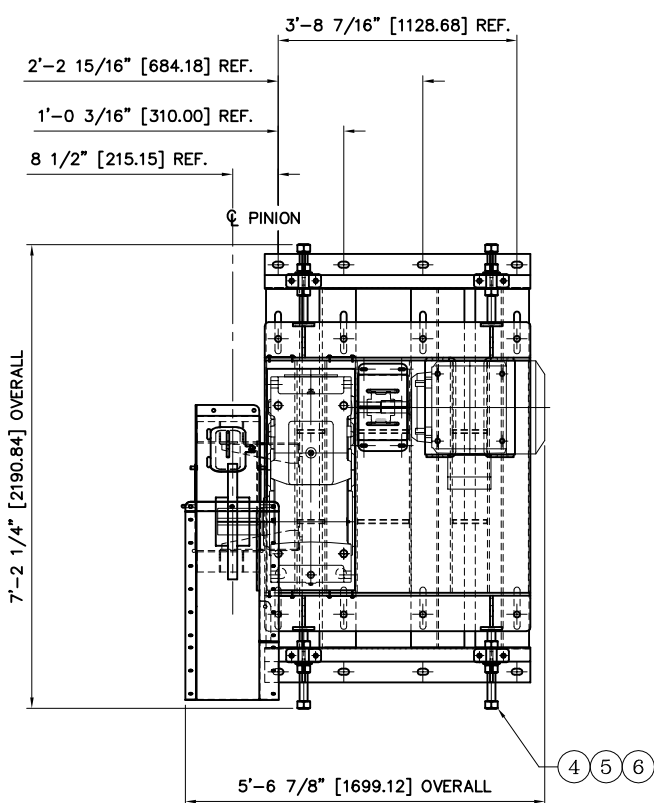
USED ON: 3371/9563-0037

DRAWN LARRYV	DATE 12/09/13		GREEN BAY, WISCONSIN, U.S.A. (920)469-5100 FAX: 469-5110 (800)373-9347
CHECKED LP	DATE 1/6/13		<p>BASE, TRUNNION, ASSY, W/THRUST, DRUM, &gt; 6'-0" ID</p>
ENGINEER ----	DATE ----	<p>THIRD ANGLE PROJECTION</p>	<p>WEIGHT (U.S. LBS) 4064.12</p> <p>SIZE D</p> <p>DWG. NO. 1156511</p> <p>SCALE: 3/4"=1"</p> <p>REV: 0</p> <p>SHEET 1 OF 1</p>

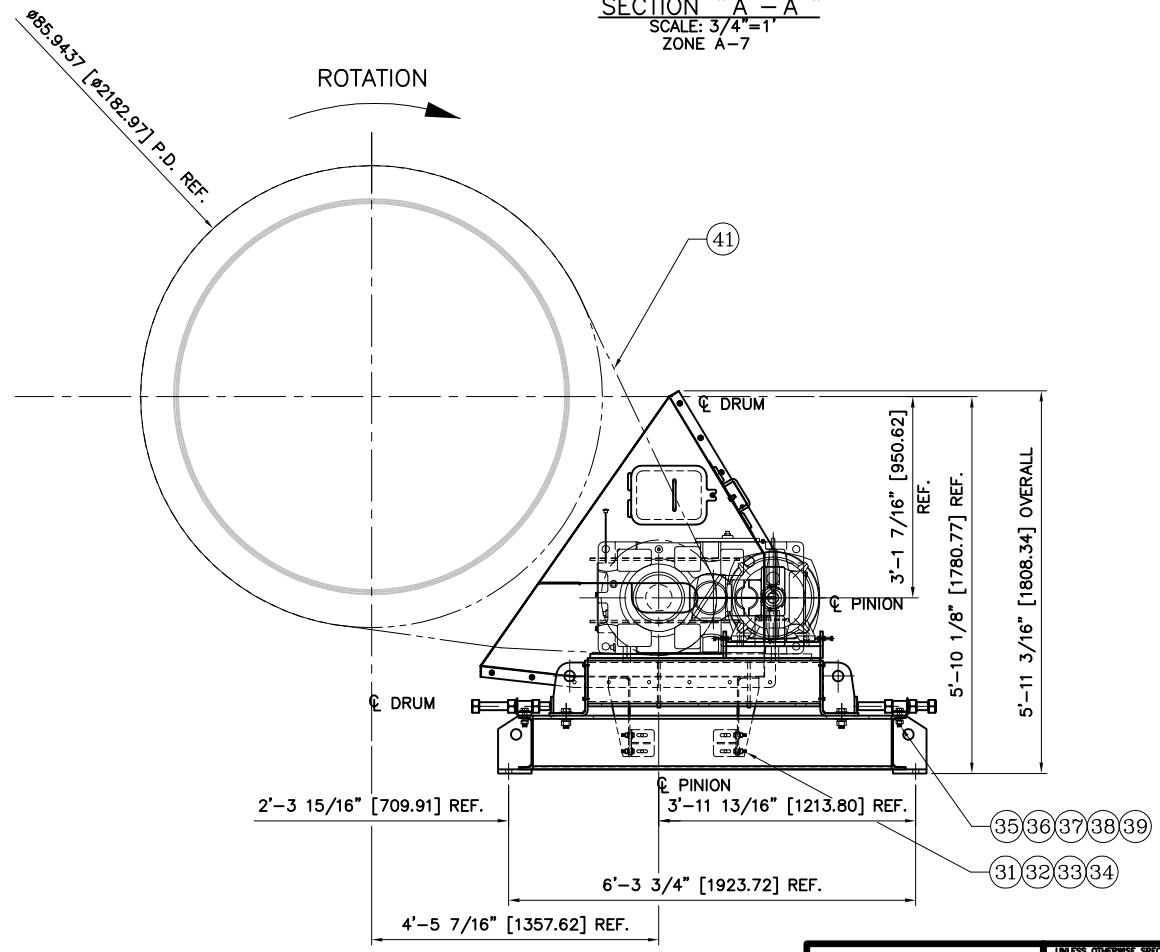
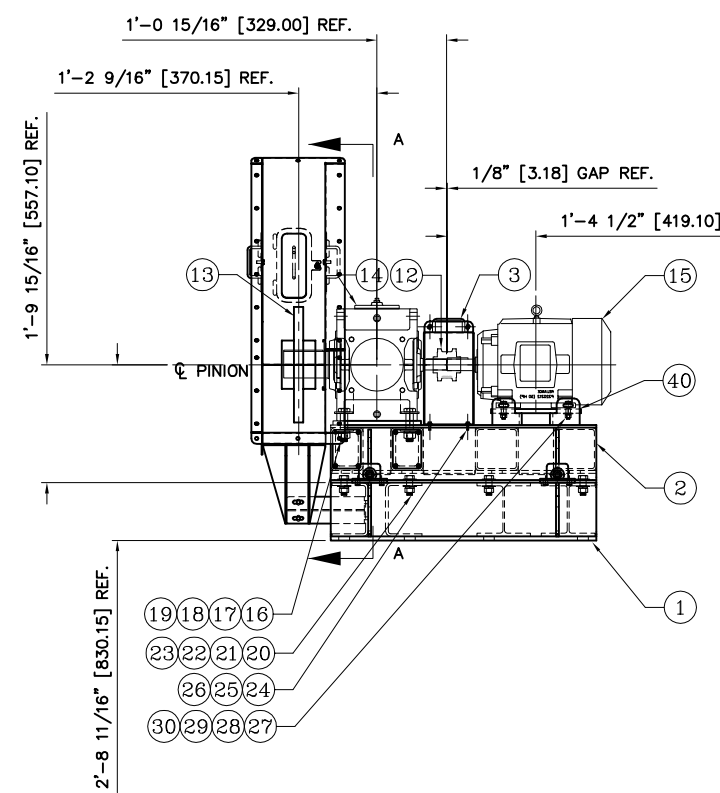
8 7 6 5 4 3 2 1

PARTS LIST

BOB NO.	QTY	MATERIAL DESCRIPTION	LENGTH	JOB NO.	ITEM NUMBER	TOTAL QUANTITY	WEIGHT
1	1	BASE,LEVELING,WELDMENT,DRUM,6'-0"D			1156517	1.00	1231.43
2	1	BASE,DRIVE,WELDMENT,DRUM,6'-0"D			1156518	1.00	1637.05
3	1	GUARD,COUPLING,HIGH_SPEED,LOVEJOY,1060			1156519	1.00	24.61
4	4	BLOCK,PUSH,2-BOLT,FOR_1-1/2UNF_THREADS	CP-S		1126969	4.00	52.48
5	4	BOLT,FAB,1-1/2"-12UNCX13-1/2,1G			11238919	4.00	38.04
6	4	NUT,HEX,1-1/2-8NC,GR-5,PLATED			1100417	4.00	3.76
7	1	GUARD,GIRTH,WELDMENT,BOTTOM,W/			1156520	1.00	86.71
8	1	GUARD,GIRTH,WELDMENT,RIGHT,W/DOOR,>			1156521	1.00	51.79
9	1	GUARD,GIRTH,WELDMENT,LEFT,PANEL,>			1156522	1.00	59.29
10	2	SUPPORT,GUARD,GIRTH,DRUM,COOLER,6'-0"D			1156523	2.00	17.66
11	2	SEAL,SHAFT,GUARD,GIRTH			1156524	2.00	0.34
12	1	COUPLING,LOVEJOY,1060,HORIZONTAL,>			1156528	1.00	20.00
13	1	SPROCKET,DRIVE,RO635C15H,FABRICATED->			1156525	1.00	265.00
14	1	REDUCER,SUMITOMO,PHD9060P3-LR-71>			1156526	1.00	1455.05
15	1	MOTOR,50HP,1750RPM,3PH,60HZ,230/460V>			1156527	1.00	620.00
16	4	BOLT,HCS,1-1/4-7NCX5-1/2,GR-5			1105762	4.00	9.63
17	4	NUT,HEX,1-1/4-7NC,GR-5,PLATED			1099134	4.00	2.17
18	8	WASHER,FLAT,1-1/4,GR-2,PLATED	PP-S		10628	8.00	2.08
19	4	WASHER,LOCK,SPLIT,1-1/4,GR-2,PLATED			1099135	4.00	0.66
20	8	BOLT,HCS,1-8NCX3,GR-5,PLATED	PP-S		11531	8.00	7.28
21	8	NUT,HEX,1-8NC,GR-5,PLATED	PP-S		1099155	8.00	2.26
22	16	WASHER,FLAT,1,GR-2,PLATED	PP-S		10325	16.00	3.01
23	8	WASHER,LOCK,SPLIT,1,GR-2,PLATED	PP-S		10326	8.00	0.70
24	4	BOLT,HCS,3/8-16NCX1-1/2,GR-5			11374	4.00	0.23
25	4	WASHER,FLAT,3/8,GR-2,PLATED	PP-S		1099097	4.00	0.06
26	4	WASHER,LOCK,SPLIT,3/8,GR-2,PLATED	PP-S		1099233	4.00	0.02
27	4	BOLT,HCS,5/8-11NCX3,GR-5,PLATED	PP-S		11451	4.00	1.26
28	4	NUT,HEX,5/8-11NC,GR-5,PLATED	PP-S		1099152	4.00	0.29
29	4	WASHER,FLAT,5/8,GR-2,PLATED	PP-S		1099266	4.00	0.31
30	4	WASHER,LOCK,SPLIT,5/8,GR-2,PLATED	PP-S		1099212	4.00	0.10
31	8	BOLT,HCS,1/2-13NCX2,GR-5,PLATED	PP-S		11424	8.00	1.15
32	8	NUT,HEX,1/2-13NC,GR-5,PLATED	PP-S		1099151	8.00	0.30
33	16	WASHER,FLAT,1/2,GR-2,PLATED	PP-S		1099136	16.00	0.62
34	8	WASHER,LOCK,SPLIT,1/2,GR-2,PLATED	PP-S		1099137	8.00	0.10
35	8	BOLT,HCS,3/4-10NCX3,GR-5,PLATED	PP-S		11478	8.00	3.80
36	8	NUT,HEX,3/4-10NC,GR-5,PLATED	PP-S		1099153	8.00	0.95
37	8	WASHER,FLAT,3/4,GR-2,PLATED	PP-S		10337	8.00	0.88
38	8	WASHER,LOCK,SPLIT,3/4,GR-2,PLATED	PP-S		10338	8.00	0.32
39	8	WASHER,BEVEL,3/4,GR-2,PLATED	PP-S		1103893	8.00	1.15
40	4	SHIM,MOTOR,50HP,326T_FRAME,3/16,3045SST			1148211	4.00	3.20
41	1	CHAIN,ENG-RO635,PITCH=4-1/2"	319 1/2"		1152173	26.63	585.75
42	20	BOLT,HCS,1/2-13NCX1-1/4,GR-5,PLATED	PP-S		11422	20.00	2.00
43	40	WASHER,FLAT,1/2,GR-2,PLATED			1142412	40.00	18.00
44	20	WASHER,LOCK,SPLIT,1/2,GR-2,PLATED>			1101086	20.00	0.20
45	20	NUT,HEX,1/2-13NC,GR-5,PLATED	PP-S		1099151	20.00	0.80



SECTION "A - A"  
SCALE: 3/4"=1"  
ZONE A-7



AS VIEWED FROM DISCHARGE END

UNLESS OTHERWISE SPECIFIED DIMENSIONS ARE IN INCHES. THE FOLLOWING TOLERANCES APPLY:		DRAWN DATE		GREEN BAY, WISCONSIN, U.S.A.	
DECIMAL DIMENSIONS	±.005	GREGM	12/10/13	(920)469-5100 FAX: 469-5110	
FRACTIONAL DIMENSIONS	±.005	CHECKED	DATE	(800)373-9347	
ANGULAR DIMENSIONS	±.01°	LP	1/8/14	TITLE	
INTERPRET DIM AND TOL PER	ASME Y14.5M-2009	ENGINEER	DATE	DRIVE,ASSEMBLY,SPROCKET_DIRECT_MOUNTED>	
THIRD ANGLE PROJECTION		---	---	TO REDUCER, DRUM 6'-0" I.D.	
		RELEASED	DATE	WEIGHT(U.S.LBS)	SIZE
				6212.49	D
				DWG. NO. 1156516	REV: 0
				SCALE: 3/4"=1"	SHEET 1 OF 1

8 7 6 5 4 3 2 1

8

7

6

5

4

3

2

1

PARTS LIST

BOM NO.	QTY	MATERIAL DESCRIPTION	LENGTH	JOB NO.	ITEM NUMBER	TOTAL QUANTITY	WEIGHT
1	3	GUARD,GIRTH,WELDMENT,INTERMEDIATE,>			1156531	3.00	113.49
2	1	GUARD,GIRTH,WELDMENT,INTERMEDIATE,>			1156532	1.00	51.39
3	1	GUARD,GIRTH,WELDMENT,INTERMEDIATE,>			1156533	1.00	43.84
4	1	GUARD,GIRTH,WELDMENT,@BOTTOM,DRUM,>			1156534	1.00	42.15
5	1	GUARD,GIRTH,WELDMENT,PANEL,LH,@PINION,>			1156535	1.00	14.46
6	1	GUARD,GIRTH,WELDMENT,PANEL,RH,@PINION,>			1156536	1.00	14.46
7	1	GUARD,GIRTH,WELDMENT,INTERMEDIATE,>			1156537	1.00	32.96
8	2	GUARD,GIRTH,SUPPORT,LEG,DRUM,6'-0"ID			1156538	2.00	62.54
9	6	BOLT,HCS,1/2-13NCX2,GR-5,PLATED	PP-S		11424	6.00	0.84
10	12	WASHER,FLAT,1/2,GR-2,PLATED			1142412	12.00	5.40
11	6	WASHER,LOCK,SPLIT,1/2,GR-5,PLATED			1142413	6.00	0.06
12	6	NUT,HEX,1/2-13NC,GR-5,PLATED	PP-S		1099151	6.00	0.24
13	60	BOLT,HCS,1/2-13NCX1-1/4,GR-5,PLATED	PP-S		11422	60.00	6.00
14	120	WASHER,FLAT,1/2,GR-2,PLATED			1142412	120.00	54.00
15	60	WASHER,LOCK,SPLIT,1/2,GR-5,PLATED			1142413	60.00	0.60
16	60	NUT,HEX,1/2-13NC,GR-5,PLATED	PP-S		1099151	60.00	2.40

D

C

B

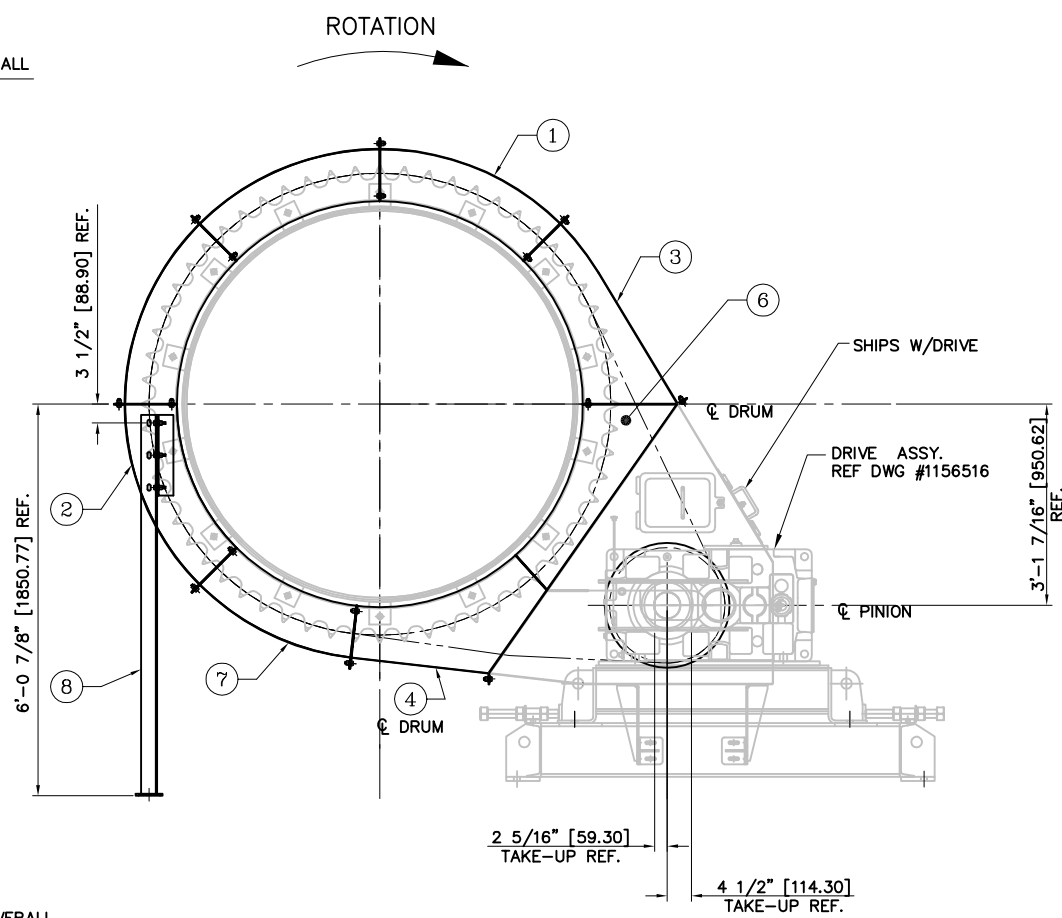
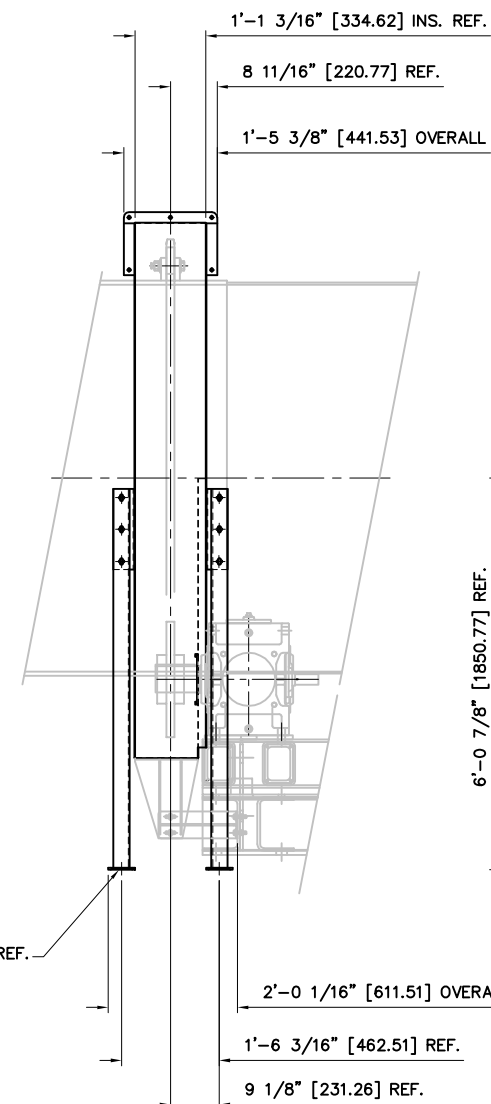
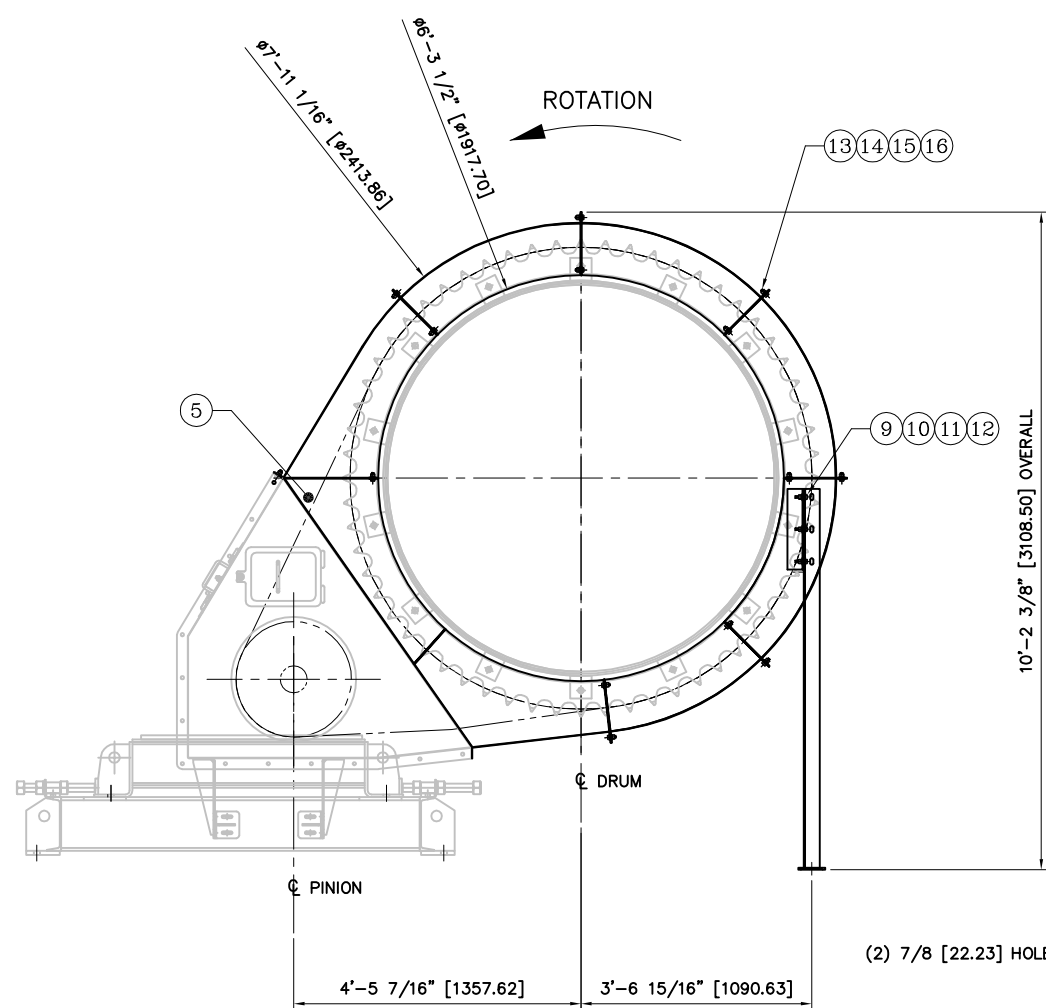
A

D

C

B

A



AS VIEWED FROM DISCHARGE END

(2) 7/8 [22.23] HOLES REF.

UNLESS OTHERWISE SPECIFIED DIMENSIONS ARE IN INCHES. THE FOLLOWING TOLERANCES APPLY		DRAWN		DATE		USED ON: 3371/9563-0068	
DECIMAL DIMENSIONS	±.1"	GREGM	1/5/14	 GREEN BAY, WISCONSIN, U.S.A. (920)469-5100 FAX: 469-5110 (800)373-9347			
FRACTIONAL DIMENSIONS	±.005"	CHECKED	DATE				
ANGULAR DIMENSIONS	±.01°	LP	1/9/14				
INTERPRET DIM AND TOL PER ASME Y14.5M-2009		ENGINEER	DATE	TITLE			
THIS DRAWING AND THE INFORMATION CONTAINED HEREIN IS SUBMITTED CONFIDENTIALLY AND IS THE PROPERTY OF FEEDCO INTERNATIONAL. USE, REPRODUCTION OR DISCLOSURE OF THE CONTENTS OF THIS DRAWING (OR ANY PORTION THEREOF) FOR ANY PURPOSE MUST BE APPROVED IN WRITING BY FEEDCO INTERNATIONAL.		---	---	GUARD,GIRTH,ASSY,DRUM,6'-0"ID,SPROCKET			
THIRD ANGLE PROJECTION		RELEASED	DATE	WEIGHT (U.S. LBS)	SIZE	DWG. NO.	REV.
		---	---	444.83	D	1156530	0
		SCALE: 3/4"=1"		SHEET 1 OF 1			

8

7

6

5

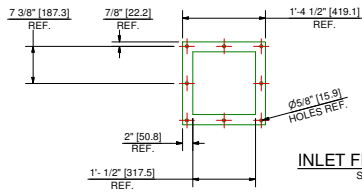
4

3

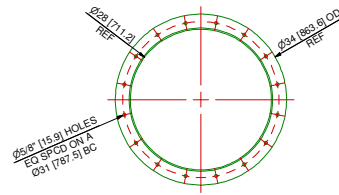
2

1



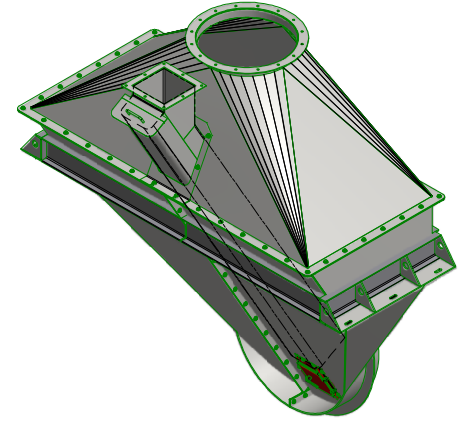
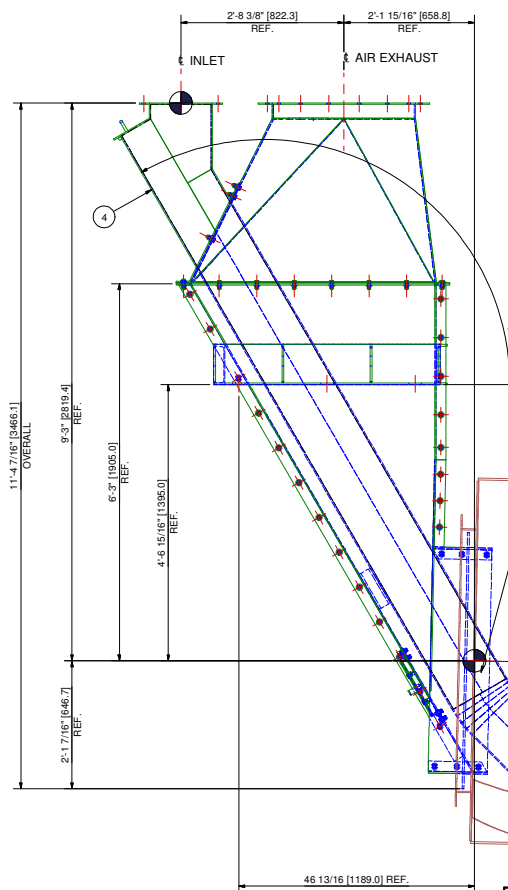
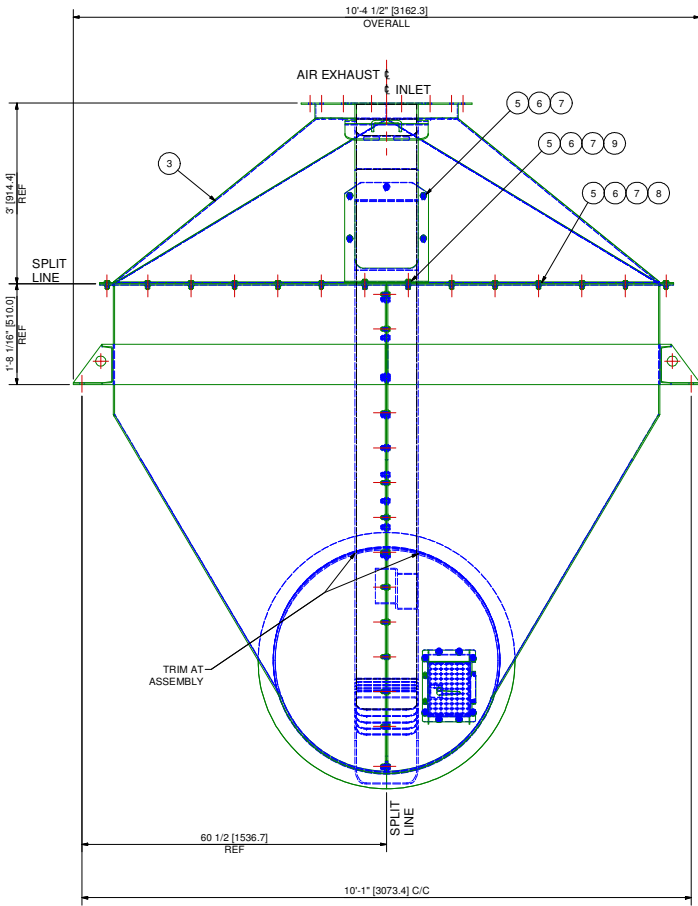


**INLET FLANGE DETAIL**  
SCALE: 1" = 1"  
ZONE: C-4



PARTS LIST								
NO	QTY	DESCRIPTION	LENGTH	WIDTH	PART	QUANTITY	WEIGHT	LI
1	1	BREACHING_INLET_WELDMENT_LH_SECTION>			1156541	1	1022.22	*
2	1	BREACHING_INLET_WELDMENT_RH_SECTION>			1156542	1	1022.12	*
3	1	BREACHING_INLET_WELDMENT_TOP_SECTION>			1156540	1	687.3	*
4	1	BREACHING_INLET_WELDMENT_BOTTOM_SECTION>			1155319	1	518.83	*
5	139	WASHER_FLAT_1/2_GR-2_PLATED			1099136	139	5.35	*
6	72	WASHER_LOCK_SPLIT_1/2_GR-2_PLATED			1099137	72	.93	*
7	72	NUT_HEX_1/2-13NC_GR-5_PLATED			1099151	72	2.7	*
8	65	BOLT_HCS_1/2-13NCX1-1/2_GR-5_PLATED			11423	65	7.53	*
9	2	BOLT_HCS_1/2-13NCX1-3/4_GR-5_PLATED			11430	2	.28	*

ROTATION



DRUM INLET WORK POINT

DRUM SHELL ASSY. REF. DWG. #1156487

<small>UNLESS OTHERWISE SPECIFIED DIMENSIONS ARE IN INCHES. THE FOLLOWING TOLERANCES APPLY:          DECIMAL DIMENSIONS: ±.015" ±.010"          FRACTIONAL DIMENSIONS: ±.005" ±.003"          ANGULAR DIMENSIONS: ±.05° ±.03°          HOLE POSITION: ±.010" ±.005"          HOLE DIA AND TO, HSA: H9/D9</small>		USED ON: 3371/9563-0077 DRAWN: KAANANK CHECKED: Scott ENGINEER: Scott RELEASED:	DATE: 1/10/2014 DATE: 1/29/2014 DATE:	<b>FEECO</b> INTERNATIONAL GREEN BAY, WISCONSIN, U.S.A. (920) 469-5100 FAX: (920) 469-5110 (800) 373-9347
THIS DRAWING AND THE INFORMATION CONTAINED HEREIN IS UNCLASSIFIED EXCEPT WHERE SHOWN OTHERWISE. IT IS THE PROPERTY OF FEECO INTERNATIONAL. IT IS LOANED TO YOU FOR YOUR INFORMATION ONLY. REPRODUCTION OR DISSEMINATION OF THIS DRAWING OR ANY PORTION THEREOF IS STRICTLY PROHIBITED. APPROVED BY: [Signature]				TITLE: INLET ASSY. DRUM 6'-0" ID WEIGHT (LBS): 3278.26 SIZE: D DWG NO: 115639 SCALE: 1" = 1" SHEET: 1 OF: 1 REV: 0

8

7

6

5

4

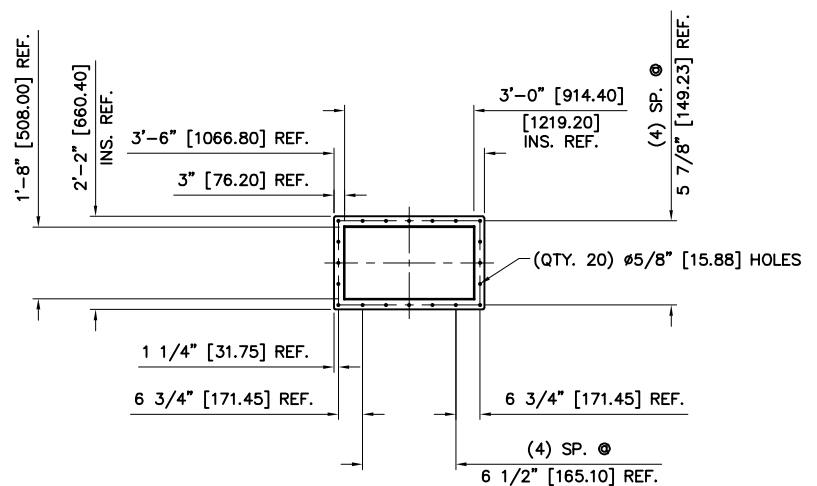
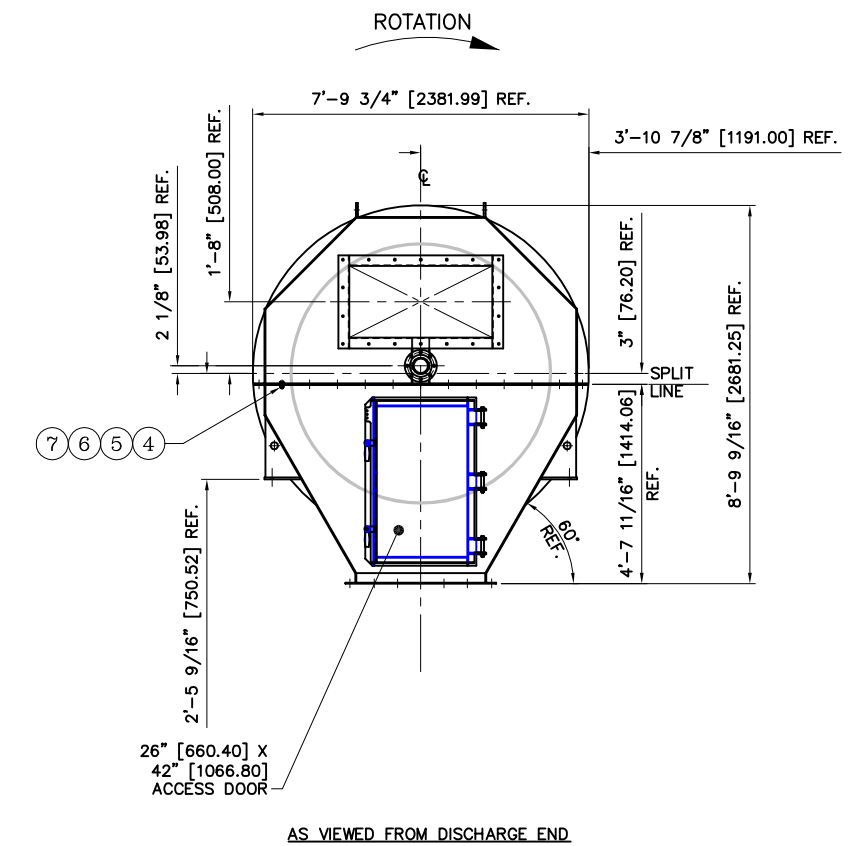
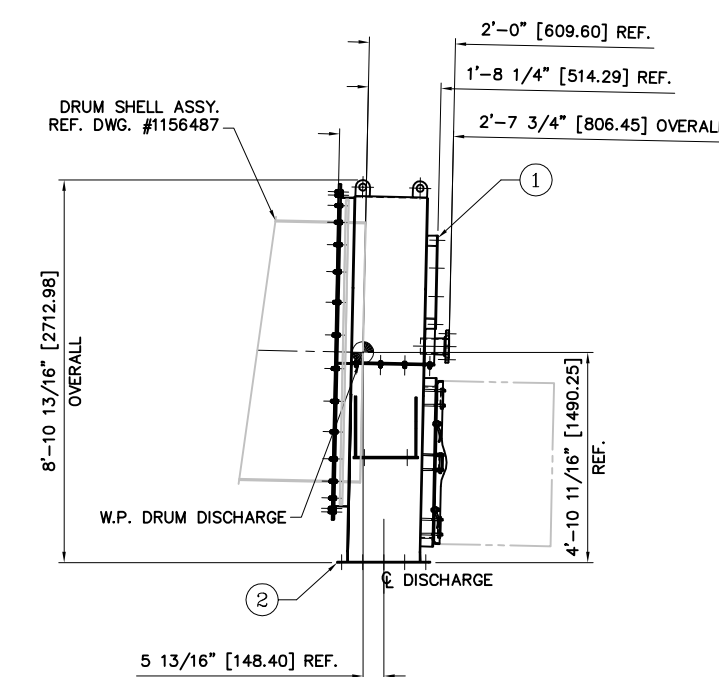
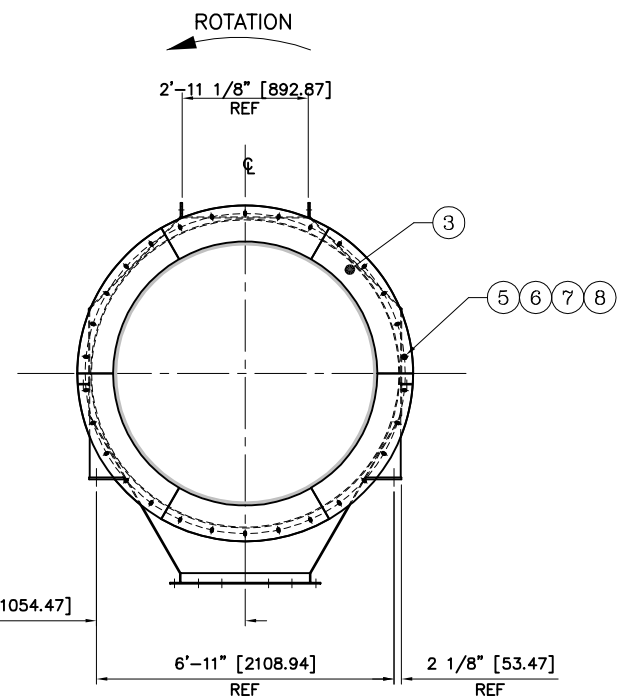
3

2

1

PARTS LIST

BOM NO.	QTY	MATERIAL DESCRIPTION	LENGTH	JOB NO.	ITEM NUMBER	TOTAL QUANTITY	WEIGHT
1	1	BREECHING,DISCH,WELDMNT,TOP_SECTION,>			1156545	1.00	657.4
2	1	BREECHING,DISCH,WELDMNT,BOTTOM>			1156546	1.00	863.22
3	6	PLATE,SEAL,LABYRINTH,DISCH,DRUM,>			1156548	6.00	370.97
4	19	BOLT,HCS,1/2-13NCX1-1/2,GR-5,PLATED	PP-S		11423	19.00	2.28
5	98	WASHER,FLAT,1/2,GR-2,PLATED	PP-S		1099136	98.00	3.92
6	49	WASHER,LOCK,SPLIT,1/2,GR-2,PLATED	PP-S		1099137	49.00	0.49
7	49	NUT,HEX,1/2-13NC,GR-5,PLATED	PP-S		1099151	49.00	1.96
8	30	BOLT,HCS,1/2-13NCX1-3/4,GR-5,PLATED	PP-S		11430	30.00	3.90



USED ON: 3371/9563-0082

UNLESS OTHERWISE SPECIFIED DIMENSIONS ARE IN INCHES. THE FOLLOWING TOLERANCES APPLY	DRAWN	DATE	<b>FEECO INTERNATIONAL</b>	GREEN BAY, WISCONSIN, U.S.A.
DECIMAL DIMENSIONS - ±.01	KAANANK	12/18/13		(920)469-5100 FAX: 469-5110
FRACTIONAL DIMENSIONS - ±.005	CHECKED	DATE	TITLE	
ANGULAR DIMENSIONS - ±.01°	ScottL	01/28/14	DISCHARGE, ASSY, DRUM, 6'-0" ID	
INTERPRET DIM AND TOL PER ASME Y14.5M-2009	ENGINEER	DATE		
THIS DRAWING AND THE INFORMATION CONTAINED HEREIN IS SUBMITTED CONFIDENTIALLY AND IS THE PROPERTY OF FEECO INTERNATIONAL. USE, REPRODUCTION OR DISCLOSURE OF THE CONTENTS OF THIS DRAWING (OR ANY PORTION THEREOF) FOR ANY PURPOSE MUST BE APPROVED IN WRITING BY FEECO INTERNATIONAL.	RELEASED	DATE	WEIGHT (U.S. LBS)	SIZE
THIRD ANGLE PROJECTION			1904.14	D

DWG. NO. 1156544

SCALE: 1/2"=1'

SHEET 1 OF 1

8

7

6

5

4

3

2

1