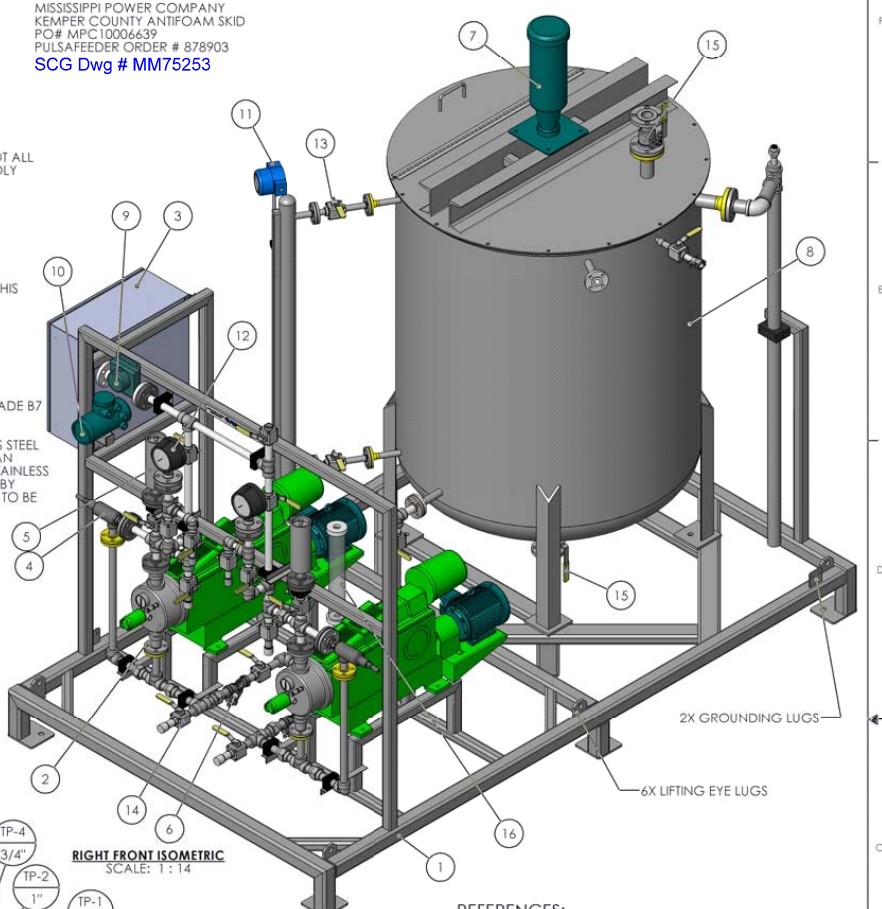


- NOTES:**
- FRAME CONSTRUCTION: 304 STAINLESS STEEL STRUCTURAL SHAPES
 - PIPE AND FITTING CONSTRUCTION:
PUMP SUCTION LINE:
PIPE: SCHEDULE 40 SEAMLESS 316 STAINLESS STEEL
FITTINGS: SOCKET WELDED 3000# 316 STAINLESS STEEL / 150# RF FLANGES
PUMP DISCHARGE LINE:
PIPE: SCHEDULE 80 SEAMLESS 316 STAINLESS STEEL
FITTINGS: SOCKET WELDED 3000# 316 STAINLESS STEEL / 600# RF FLANGES
TANK OVERFLOW LINE:
PIPE: SCHEDULE 40 SEAMLESS 316 STAINLESS STEEL
FITTINGS: SOCKET WELDED 150# 316 STAINLESS STEEL / 150# RF FLANGES
PIPE WELDING TO CONFORM TO ASME SECTION IX, FOLLOWING WELDING PROCEDURE SPECIFICATION NO. 02-06 SS-1.
 - ALL PIPE SUPPORTS (BRANCHES AND CLAMPS) ARE SHOWN APPROXIMATELY AND NOT ALL ARE SHOWN. ADDITIONAL PIPE SUPPORTS SHALL BE PROVIDED AS REQUIRED TO RIGIDLY SUPPORT THE PIPING AND APPURTENANCES DURING SYSTEM ASSEMBLY.
 - PARKER "PARKLAMP" PIPE AND TUBING CLAMPS ARE USED FOR RETAINING PIPE ASSEMBLIES TO DAMPEN UNWANTED EFFECTS OF MECHANICAL SHOCK AND VIBRATION FORCES.
 - DIMENSIONAL TOLERANCE +/- 1/2 INCH.
 - FOR NOZZLE AND COMPONENT TAG IDENTIFICATION, REFER TO SHEET 2, 3 AND 4 OF THIS DRAWING.
 - FOR P&ID, REFER TO DRAWING NO. RS010819-100.
 - APPROXIMATE WEIGHT = 3000# DRY, 4000# OPERATING.
 - 3FT. MINIMUM CLEARANCE REQUIRED IN FRONT OF JUNCTION BOX (ITEM #).
 - FLANGE BOLTING TO BE THREADED ROD AND CONFORM TO ASTM A193 / A193M GRADE B7 WITH ASTM A194 / A194M GRADE 2H NUTS.
 - ALL VALVES ARE TO BE SUPPLIED WITH STAMPED OR ENGRAVED 1/32" THICK STAINLESS STEEL TAGS. TAGS ARE TO BE AFFIXED TO THE BODY OF VALVES WHERE IT DOES NOT POSE AN OBSTRUCTION TO OPERATION OR DANGER. THE TAGS ARE TO BE ATTACHED USING STAINLESS STEEL WIRE (12 GAUGE SOLID OR BRAIDED MINIMUM). WIRE ENDS ARE TO BE JOINED BY COMPRESSION-TYPE CLAMPS ONLY. LETTERING ON TAGS ARE TO BE 1/4". TAGS ARE TO BE 1-1/4" x 3" IN SIZE.
 - SEE TABLE 1 FOR NOZZLE SCHEDULE.

TABLE 1
NOZZLE SCHEDULE

MARK	END CONNECTION TYPE		DESCRIPTION
	SIZE	TYPE	
TP-1	3/4"	FEMALE CAM	CHEMICAL FILL INLET
TP-2	1"	150# RF FLANGE	MAKE-UP WATER INLET
TP-3	2"	150# RF FLANGE	TANK VENT
TP-4	3/4"	FNPT 150# UNION	VENT TO ATMOSPHERE
TP-5	2"	MNPT	TANK OVERFLOW
TP-6	2"	150# RF FLANGE	TANK DRAIN
TP-7	1"	600# RF FLANGE	SYSTEM DISCHARGE OUTLET
TP-8	1"	SOCKET WELD	HIGH POINT VENT

MARK SIZE = CONNECTION SYMBOL



REFERENCES:

PROJECT NAME: MISSISSIPPI PWR CO. - SOUTHERN CO. (KEMPER COUNTY, MS)
 KEMPER COUNTY IGCC UNIT 1 PROJECT
 PROJECT NUMBER: N/A
 P&ID DRAWING: 955083-I20-44-AI (REV. 1, 24MAR10)
 SYSTEM DESCRIPTION: AGR ANTI-FORM INJECTION PACKAGE AREA 130
 SYSTEM TAG NUMBER: PG0060
 SYSTEM SERIAL No.: SK10878903-1

ITEM NO.	SWBOPARTNO	DESCRIPTION	QTY.
1	RS740584-304	SKID,2HD 7660 PUMPS W/TK 304	1
2	PGEDBIA70120001 / TS878903-S01	PULSA SERIES 7660-S-AE PUMP W/ 1.5HP MOTOR	2
3	TS878903-S02	CONTROL PANEL,24"x24"x12" NEMA 4X 316SS	1
4	TS878903-S03	PRESSURE RELIEF VALVE,3/4"MNPT IN x 1"FNPT OUT 316SS	2
5	TS878903-S04	FLOWGUARD FG SERIES PULSATION DAMPENER	2
6	TS878903-S05	MODEL 85 Y-STRAINER, 1" SKT 600# 316SS	2
7	TS878903-S06	ELECTRIC MIXER MOTOR	1
8	TS878903-S07	54" DIA. MIXING TANK	1
9	TS878903-S08	CORLIOLIS MASS FLOWMETER, REMOTE DETECTOR RCCS31	1
10	TS878903-S08	MODEL CORLIOLIS MASS FLOWMETER, REMOTE FIELD-MOUNT CONVERTER MODEL RCC31 WITH INDICATOR	1
11	TS878903-S09	MAGNETIC LIQUID LEVEL GAUGE W/ TRANSMITTER	1
12	TS878903-S10	G&G, 0/1000 PSI 1" 600# FLG 316/P1FE	2
13	RS620187-316	VALVE, BALL,75 SOC, 3PC, 316, 1500#	5
14	RS620188-316	VALVE, BALL,1.0 SOC, 3PC, 316, 1500#	16
15	RS620199-316	VALVE, BALL 2" FP 150# FLG 316SS	2
16	W777037-PVC	CALIBRATION COLUMN, 2000ml, 1"NPT, PVC	1

PROJ. EL. 478'-9"

Tuesday, February 07, 2012 2:06:50 PM

PROPRIETARY AND CONFIDENTIAL

PROPERTY DATA: THIS DOCUMENT DISCLOSES INFORMATION AND DATA IN WHOLE OR IN PART TO ANY OTHER PARTY WITHOUT THE WRITTEN PERMISSION OF PULSAFEEDER.

DATE: 11/29/10
 CHECKED: CSJ
 DATE: 11/29/10
 DESIGNED: CSJ
 DATE: 11/29/10
 DRAWN: CSJ
 DATE: 11/29/10

SCALE: 1:1 WEIGHT: SHEET 1 OF 4

KBR
 ACCEPTANCE FOR ENGINEERING USE

THIS DOCUMENT IS:

ACCEPTED (Code 1) X
 ACCEPTED WITH COMMENTS (Code 2) _____
 NOT ACCEPTED (Code 3) _____
 NOT REVIEWED (Code 4) _____

ACCEPTANCE DOES NOT RELIEVE SUPPLIER FROM FURNISHING MATERIAL IN CONFORMANCE WITH ORDER. REFER TO SDR-1 FOR FULL DEFINITION OF ACCEPTANCE CONDITIONS.

DISCIPLINE MJ BY RL
 DATE 04/12/12

Southern Company Generation Kemper County
MM75253 B Unit 1

BROWNLEE-MORROW ENGINEERING PO: MPC10006639
878903 RS010819-001 Rev: D
IGCC - GASIFIER - MULTIPAGE - AGR ANTI FOAM INJECTION PACKAGE - M

MISSISSIPPI POWER COMPANY
 KEMPER COUNTY ANTI-FOAM SKID
 PO# MPC10006639
 PULSAFEEDER ORDER # 878903
 SCG Dwg # MM75253

VDSS A1,B2.1

REVISIONS				
ZONE	REV.	DESCRIPTION	DATE	APPROVED
-	-	See Sheet1	-	-

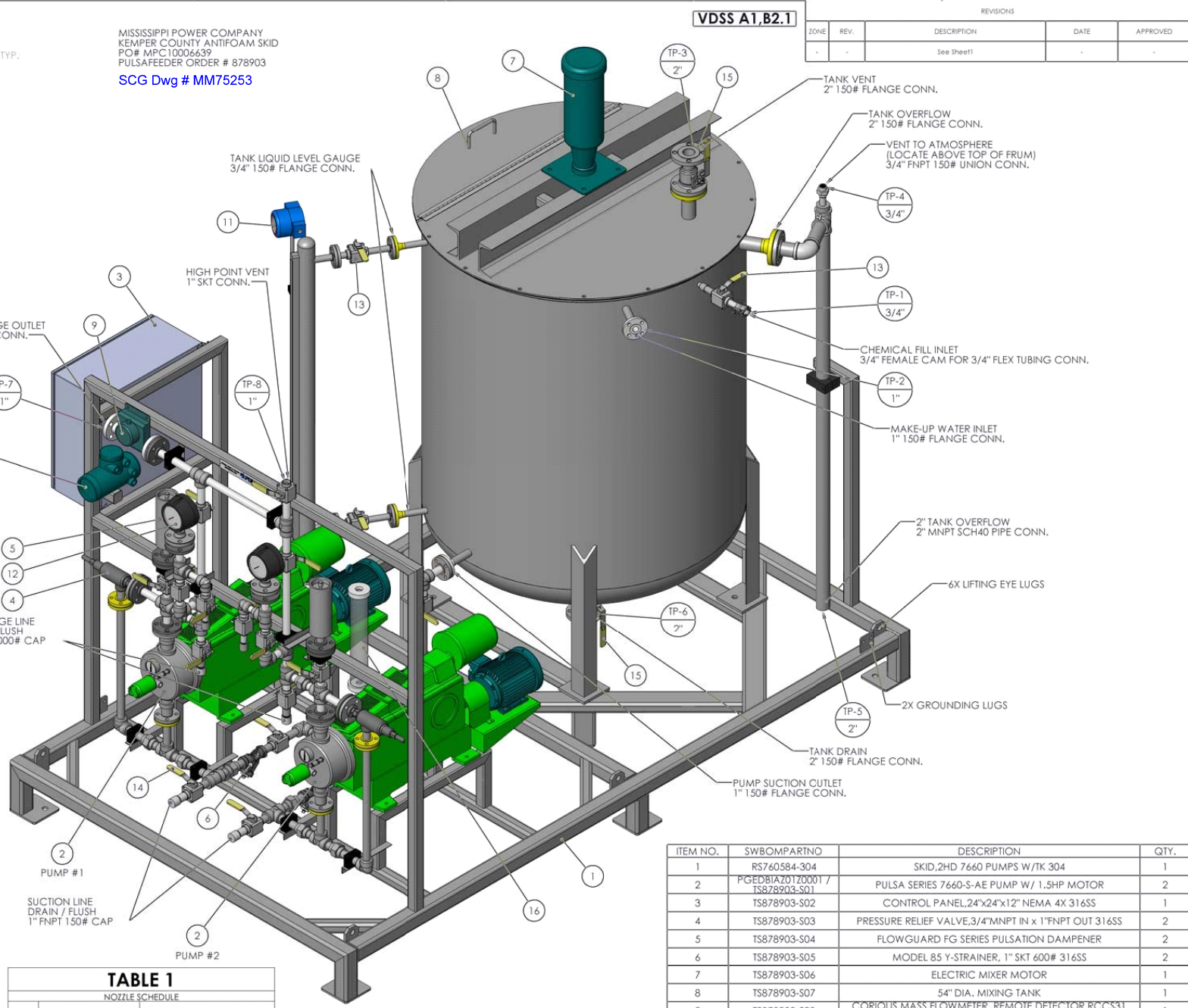
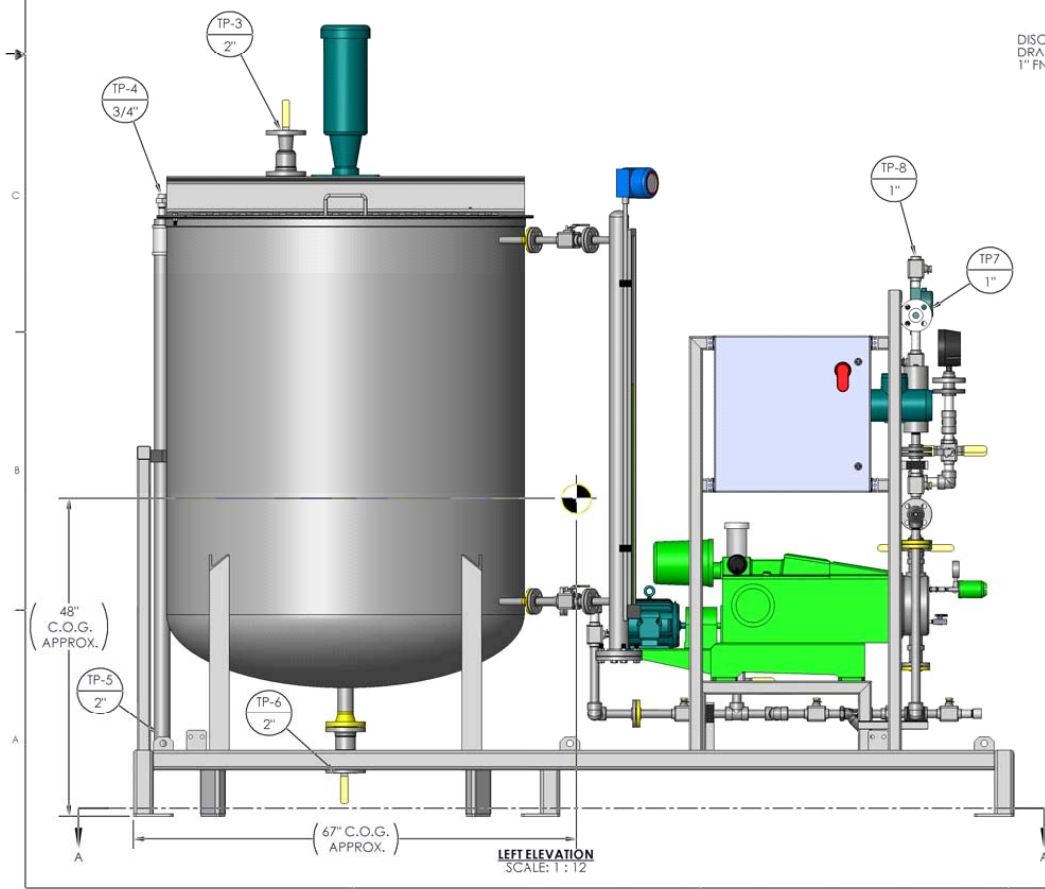
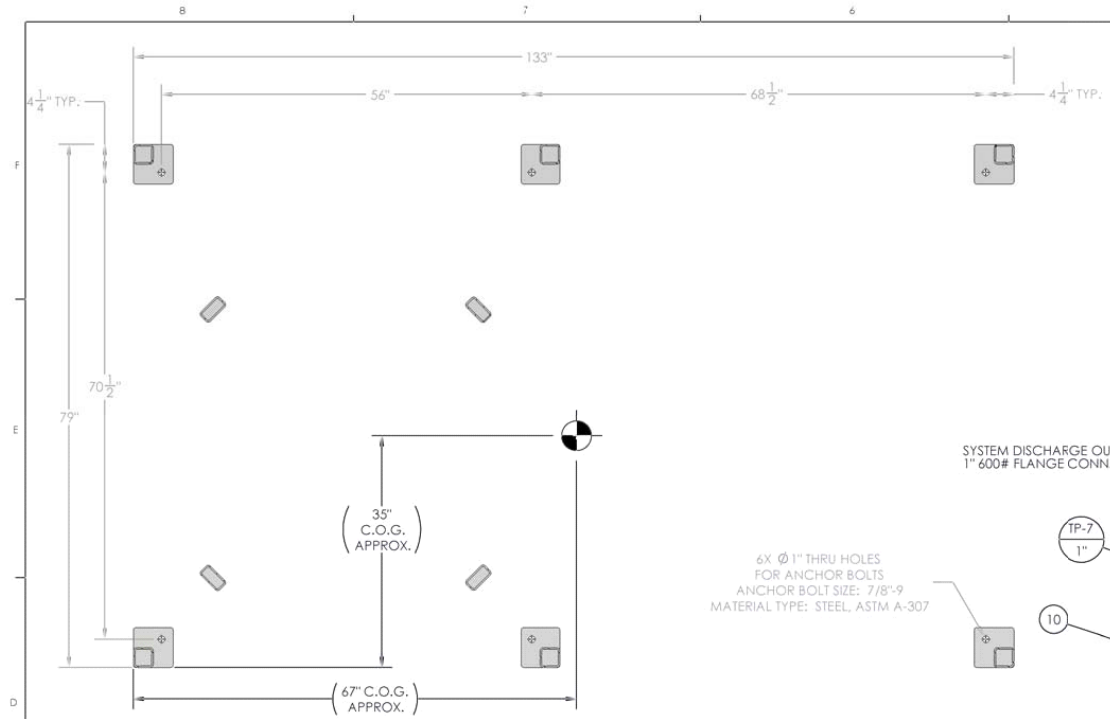


TABLE 1
NOZZLE SCHEDULE

MARK	END CONNECTION TYPE		DESCRIPTION
	SIZE	TYPE	
TP-1	3/4"	FEMALE CAM	CHEMICAL FILL INLET
TP-2	1"	150# RF FLANGE	MAKE-UP WATER INLET
TP-3	2"	150# RF FLANGE	TANK VENT
TP-4	3/4"	FNPT 150# UNION	VENT TO ATMOSPHERE
TP-5	2"	MNPT	TANK OVERFLOW
TP-6	2"	150# RF FLANGE	TANK DRAIN
TP-7	1"	400# RF FLANGE	SYSTEM DISCHARGE OUTLET
TP-8	1"	SOCKET WELD	HIGH POINT VENT

(MARK SIZE) = CONNECTION SYMBOL

ITEM NO.	SWBOMPARTNO	DESCRIPTION	QTY.
1	RS740584-304	SKID,2HD 7660 PUMPS W/TK 304	1
2	PGED8IAZ01Z0001 / TS878903-S01	PULSA SERIES 7660-S-AE PUMP W/ 1.5HP MOTOR	2
3	TS878903-S02	CONTROL PANEL,24"x24"x12" NEMA 4X 316SS	1
4	TS878903-S03	PRESSURE RELIEF VALVE,3/4"MNPT IN x 1"FNPT OUT 316SS	2
5	TS878903-S04	FLOWGUARD FG SERIES PULSATION DAMPENER	2
6	TS878903-S05	MODEL 85 Y-STRAINER, 1" SKT 600# 316SS	2
7	TS878903-S06	ELECTRIC MIXER MOTOR	1
8	TS878903-S07	54" DIA. MIXING TANK	1
9	TS878903-S08	CORIOLIS MASS FLOWMETER, REMOTE DETECTOR RCCS31 MODEL	1
10	TS878903-S08	CORIOLIS MASS FLOWMETER, REMOTE FIELD-MOUNT CONVERTER MODEL RCCF31 WITH INDICATOR	1
11	TS878903-S09	MAGNETIC LIQUID LEVEL GAUGE W/ TRANSMITTER	1
12	TS878903-S10	G&G, 0/1000 PSI 1" 600# FLG 316/P/TFE	2
13	RS620187-316	VALVE, BALL,.75 SOC, 3PC, 316, 1500#	5
14	RS620188-316	VALVE, BALL,1.0 SOC, 3PC, 316, 1500#	16
15	RS620199-316	VALVE, BALL 2" FP 150# FLG 316SS	2
16	W777037-PVC	CALIBRATION COLUMN, 2000ml, 1/8" NPT, PVC	1

RIGHT FRONT ISOMETRIC
SCALE: 1:10

REFERENCES:

PROJECT NAME: MISSISSIPPI PWR CO. - SOUTHERN CO. (KEMPER COUNTY, MS)
 KEMPER COUNTY IGCC UNIT 1 PROJECT
 PROJECT NUMBER: N/A
 P&ID DRAWING: 955083-120-44-A1 (REV. 1, 24MAR10)
 SYSTEM DESCRIPTION: AGR ANTI-FORM INJECTION PACKAGE AREA 130
 SYSTEM TAG NUMBER: PG0060
 SYSTEM SERIAL NO.: SK10878903-1

Tuesday, February 07, 2012 1:59:56 PM

PULSAFEEDER
A Unit of IDEX Corporation

DATE	BY	CHKD	APPD
11/29/10	CSJ	CSJ	CSJ
11/29/10	CSJ	CSJ	CSJ
11/29/10	CSJ	CSJ	CSJ

TITLE: SYS,2HD 7660 1" 316 304 W/TK

SIZE: D DWG. NO. RSO10819-001 REV D

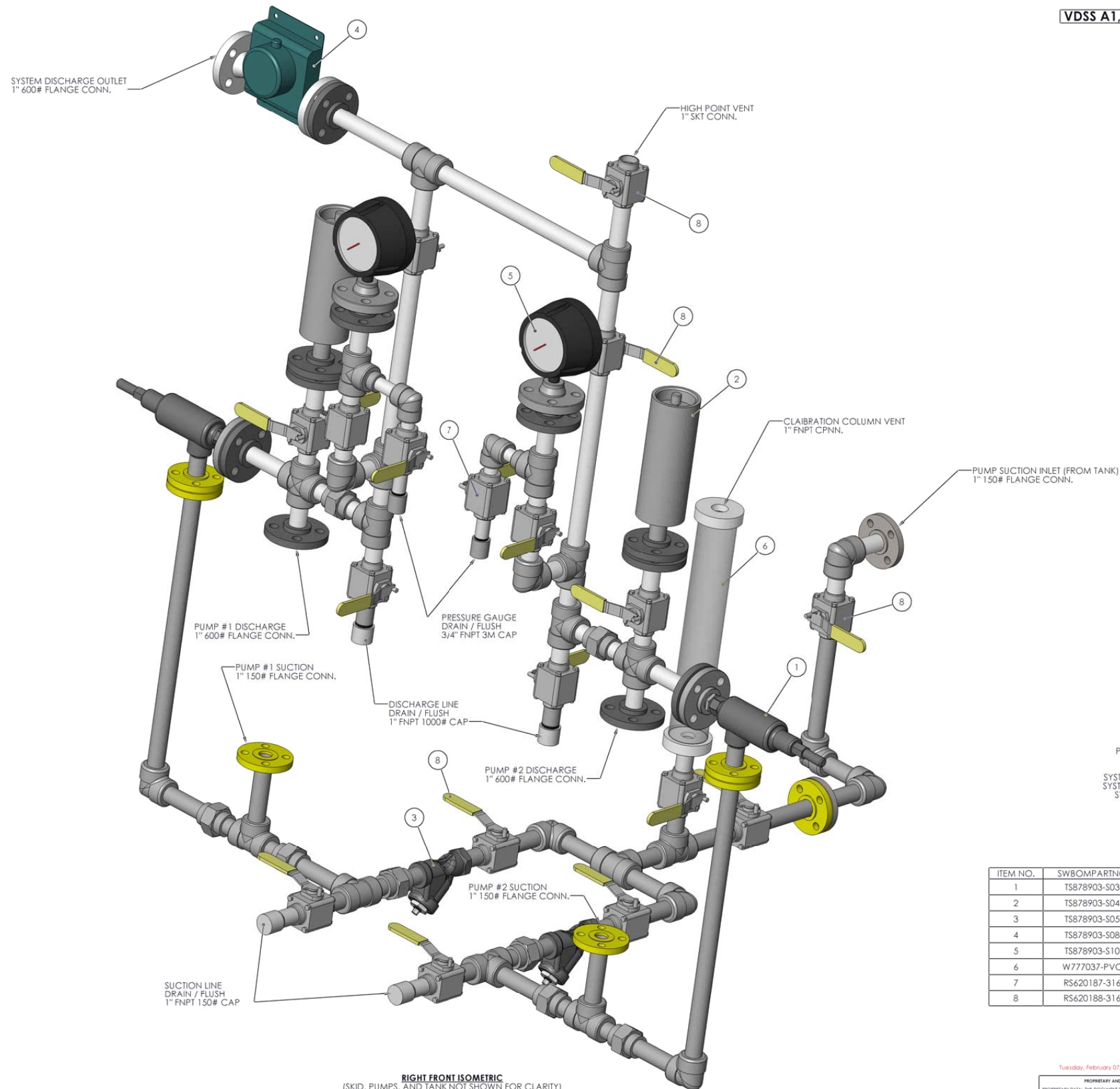
SCALE: 1:24 WEIGHT: SHEET 2 OF 4

VDSS A1,B2.1

REVISIONS

ZONE	REV.	DESCRIPTION	DATE	APPROVED
-	-	See Sheet1	-	-

MISSISSIPPI POWER COMPANY
 KEMPER COUNTY ANTIFOAM SKID
 PO# MPC10006639
 PULSAFEEDER ORDER # 878903
 SCG Dwg # MM75253



REFERENCES:

PROJECT NAME: MISSISSIPPI PWR CO. - SOUTHERN CO. (KEMPER COUNTY, MS)
 KEMPER COUNTY IGCC UNIT 1 PROJECT
 PROJECT NUMBER: N/A
 P&ID DRAWING: 955083-120-44-A1 (REV. 1, 24MAR10)
 SYSTEM DESCRIPTION: AGR ANTI-FORM INJECTION PACKAGE AREA 130
 SYSTEM TAG NUMBER: PG0060
 SYSTEM SERIAL No.: SK10878903-1

ITEM NO.	SWBOMPARTNO	DESCRIPTION	QTY.
1	TS878903-S03	PRESSURE RELIEF VALVE, 3/4" MNPT IN x 1" FNPT OUT 316SS	2
2	TS878903-S04	FLOW GUARD FG SERIES PULSATION DAMPENER	2
3	TS878903-S05	MODEL 85 Y-STRAINER, 1" SKT 600# 316SS	2
4	TS878903-S08	CORLIUS MASS FLOWMETER, REMOTE DETECTOR RCCS31 MODEL	1
5	TS878903-S10	G&G, 0/1000 PSI 1" 600# FLG 316/PTFE	2
6	W777037-PVC	CALIBRATION COLUMN, 2000ml, 1" NPT, PVC	1
7	RS620187-316	VALVE, BALL, 75 SOC, 3PC, 316, 1500#	2
8	RS620188-316	VALVE, BALL, 1.0 SOC, 3PC, 316, 1500#	16

RIGHT FRONT ISOMETRIC
 (SKID, PUMPS, AND TANK NOT SHOWN FOR CLARITY)
 SCALE: 1:4

PULSAFEEDER A Unit of IDEX Corporation	
TITLE: SYS, 2HD 7660 1" 316 304 W/TK	DATE: 11/29/10
DRAWN: CJS	CHECKED: CJS
DESIGNED: ZM	DATE: 11/29/10
G.A.	COMMENTS:
MATERIAL:	SCALE: DWG. NO. RSD10819-001
REVISIONS:	SHEET 3 OF 4

Tuesday, February 07, 2012 1:59:56 PM

PROPRIETARY AND CONFIDENTIAL
 PROPRIETARY DATA: THIS DOCUMENT DISCLOSES INFORMATION AND DATA THAT PULSAFEEDER HAS PROPRIETARY RIGHTS. THE RIGHT TO REPRODUCE, USE OR DISCLOSE IN WHOLE OR IN PART EXCEPT BY WRITTEN PERMISSION IS PROHIBITED.

VDSS A1,B2.1

REVISIONS

ZONE	REV.	DESCRIPTION	DATE	APPROVED
-	-	See Sheet1	-	-

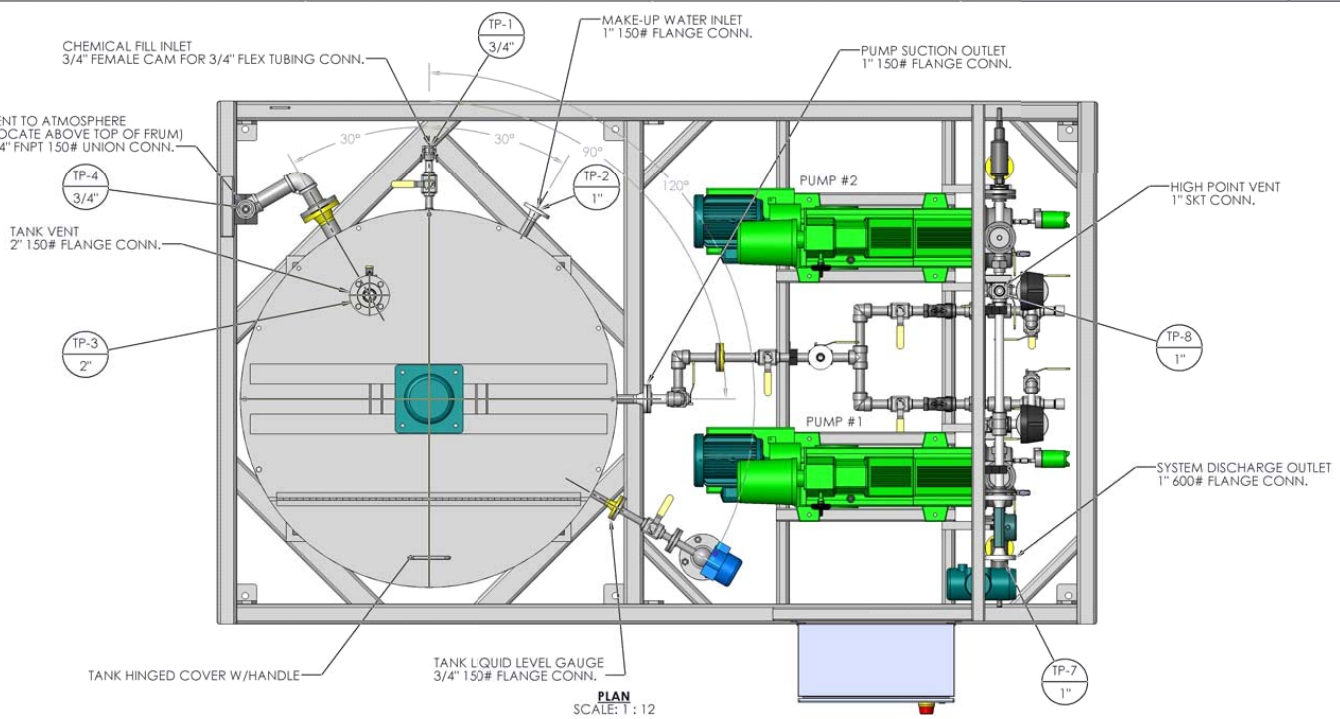
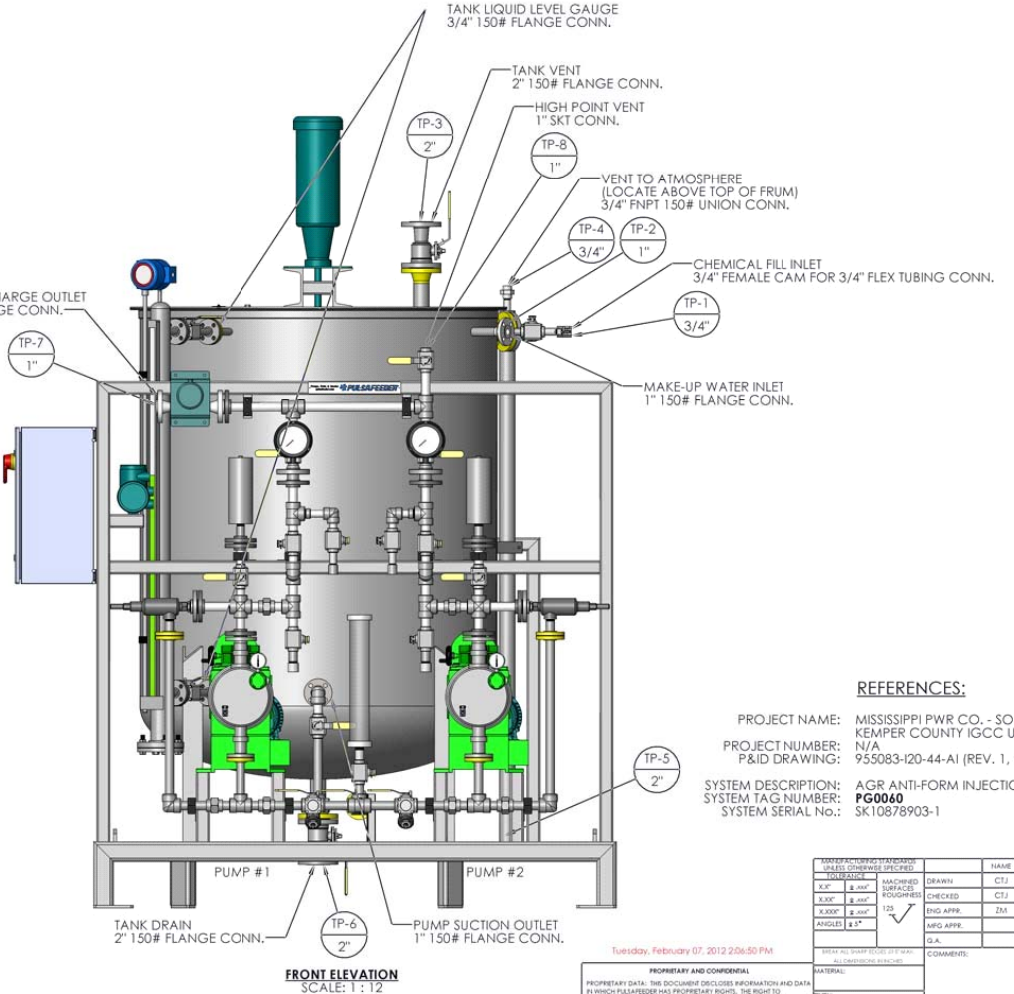
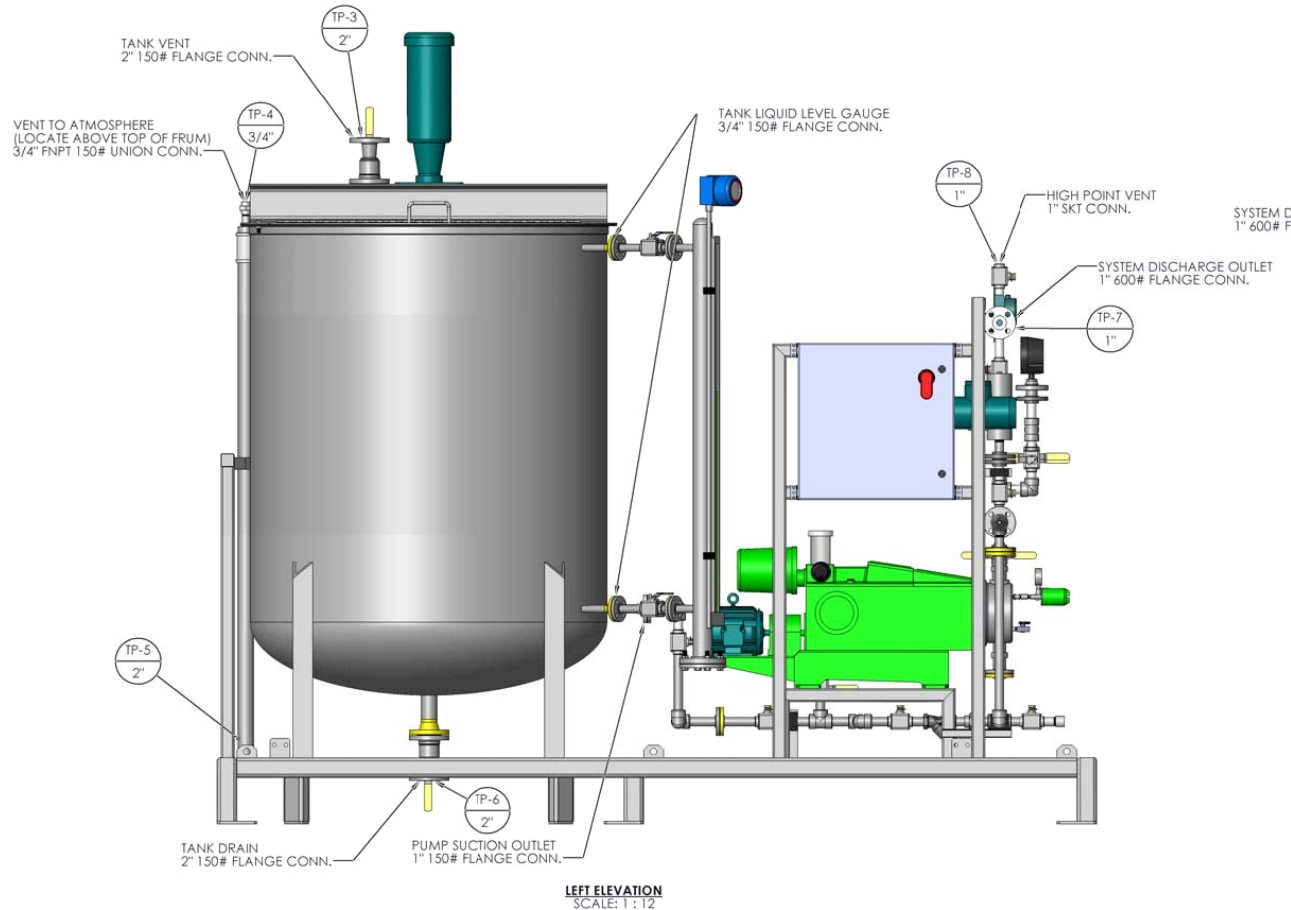


TABLE 1
NOZZLE SCHEDULE

MARK	END CONNECTION TYPE		DESCRIPTION
	SIZE	TYPE	
TP-1	3/4"	FEMALE CAM	CHEMICAL FILL INLET
TP-2	1"	150# RF FLANGE	MAKE-UP WATER INLET
TP-3	2"	150# RF FLANGE	TANK VENT
TP-4	3/4"	FNPT 150# UNION	VENT TO ATMOSPHERE (LOCATE ABOVE TOP OF FRUM)
TP-5	2"	MNPT	TANK OVERFLOW
TP-6	2"	150# RF FLANGE	TANK DRAIN
TP-7	1"	600# RF FLANGE	SYSTEM DISCHARGE OUTLET
TP-8	1"	SOCKET WELD	HIGH POINT VENT

MARK SIZE = CONNECTION SYMBOL

MISSISSIPPI POWER COMPANY
KEMPER COUNTY ANTI-FOAM SKID
PO# MPC10006639
PULSAFEEDER ORDER # 878903
SCG Dwg # MM75253



REFERENCES:

PROJECT NAME: MISSISSIPPI PWR CO. - SOUTHERN CO. (KEMPER COUNTY, MS)
KEMPER COUNTY IGCC UNIT 1 PROJECT
PROJECT NUMBER: N/A
P&ID DRAWING: 955083-120-44-AI (REV. 1, 24MAR10)
SYSTEM DESCRIPTION: AGR ANTI-FORM INJECTION PACKAGE AREA 130
SYSTEM TAG NUMBER: FG0060
SYSTEM SERIAL NO.: SK10878903-1

DATE	BY	CHKD	APPD	REV	DESCRIPTION
8/22/11	CTJ			1	ISSUED FOR CONSTRUCTION
8/22/11	CTJ			2	REVISED
8/22/11	DM			3	REVISED

DATE: 07/20/12 2:06:50 PM

PROPRIETARY AND CONFIDENTIAL
PROPERTY DATA: THIS DOCUMENT DISCLOSES INFORMATION AND DATA IN WHICH PULSAFEEDER HAS PROPRIETARY RIGHTS. THE RIGHT TO REPRODUCE, USE OR DISCLOSE IN WHOLE OR IN PART EXCEPT BY WRITTEN PERMISSION IS PROHIBITED.

SIZE: 12x18
DWG. NO.: RSO10819-001
REV: D
SHEET 4 OF 4