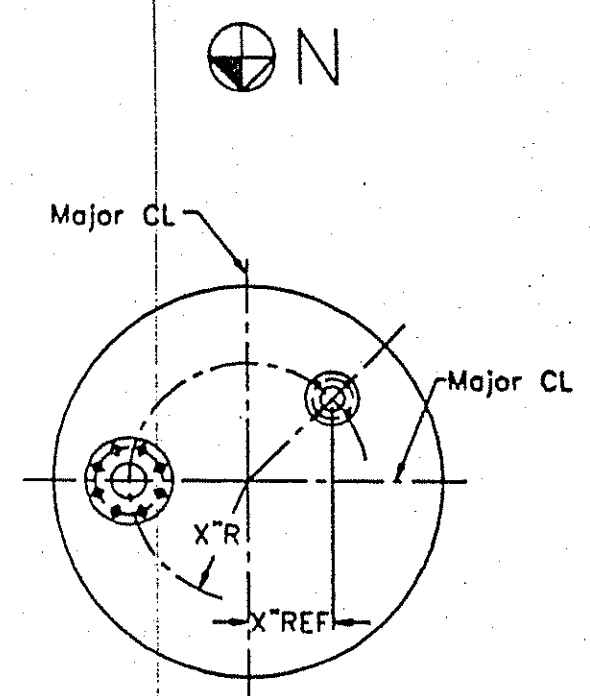


NO.	DESCRIPTION	SIZE	RATING	TYPE
A1-A3	Wash spray balls	3"	150	RFSO
B	Pressure gauge	1 1/4"	150	RFSO
C	Product inlet	3"	150	RFSO
D	Pressure gauge	2"	150	RFSO
E	Pressure relief	2"	150	RFSO
F1-F2	Light connection	2"	150	Pad
G	Sight glass	6"	150	Pad
H1,H2	PBM Sample valve	2"		NPT
I	Balance line	1 1/4"	150	RFSO
J	Spare w/blind flange	4"	150	RFSO
K	Dust filter	12"	150	RFSO
L	Agitator support plate			RoAG
M	Manway	28"	60	Pad
N	Side jacket out	3"	150	RFSO
O	Slurry Port w/Contour Plug	4"	150	Pad
P	Side jacket in	3"	150	RFSO
Q	Vent	2"	150	RFSO
R	MTBE/MEOH	2"	150	RFSO
S	Side discharge valve, solids	16"	60	Pad
T	Thermowell	1/2"		NPT
U1-U10	Filterate openings in filterbase	1 1/4"	150	RFSO
W	Spare	6"	150	RFSO
X1,X3	Base heating inlet	3"	150	RFSO
X2,X4	Base heating outlet	3"	150	RFSO
X5	Head jacket inlet	3"	150	RFSO
X6	Head jacket outlet	3"	150	RFSO

NO.	DESCRIPTION	SIZE	RATING	TYPE
Y1-Y2	Mechanical seal purge connection	1/2"		NPT
Y3	Mechanical seal leakage	1/8"		NPT
Z1	Heated agitator inlet	2"	150	RFSO
Z2	Heated agitator outlet	2"	150	RFSO

NO.	DESCRIPTION	SIZE	RATING	TYPE
AA	Side discharge/solids discharge outlet	10"	150	RFSO
BB	Clean out port with sight glass	8"	150	RFSO
CC	Side discharge housing CIP	1"	150	RFSO

NO.	DESCRIPTION	SIZE	RATING	TYPE
DD	Dust filter product inlet	12"	150	RFSO
EE	Dust filter product outlet	6"	150	RFSO
FF,F1,F2	Pulsed jet inlet	1 1/4"	150	RFSO
GG	Dust filter jacket inlet	1"	150	RFSO
HH	Dust filter jacket outlet	1"	150	RFSO
JJ1,JJ2	Dust filter differential pressure	1/2"		NPT



All ball holes must straddle major center lines unless otherwise specified

TYPE	HP	RPM	VOLTS	HERTZ	SPECIFICATION
Auxiliary Pack Motor:	5	1800	460	60	Class I, Div. I, Grp. C & D / Class II, Div. I, Grp. E & F
Main Drive Motor:	40	1800	460	60	Class I, Div. I, Grp. C & D / Class II, Div. I, Grp. E & F

VESEL	SIZE & HEAD/NOZ.	SIMPLE HEATED BASE	AGITATOR
Design pressure max/min	Paig	60/FV	150/FV
Design temperature max/min	F	-20/+370	-20/+370
Test pressure	Paig	Per code	Per code
ASME Code stamped	Yes	Yes	No

MATERIALS	VESEL	AGITATOR
Corrosion allowance:	None	304L SS (Low Moly)
Flanges:	ANSI	Dished head: 304L SS (Low Moly)
Radiography:	1.0 Joint Eff. Per Code	Flat head: 304L SS (Low Moly)
Seismic zone:	0	Jacket: 304L SS
Internal finish:	Mill	Skirt: 304L SS
External finish:	Glass Bead	Internals: 304L SS (Low Moly)
Manway:		Body flange: N/A
Wash system:	3 rotating PTFE sprayballs	Internal bolting: 304L SS (Low Moly)
Spraying Systems Model No. 27500E-1-30-TEF		External bolting: N/A
		Side lugs: N/A
		O-Rings: Chemraz
		Gasket: N/A

Weight of filter, full	70,000 LBS.	Weight of filter, empty	40,000 LBS
Customer P.O. No.	861311	Customer Ref. No.	9035RFQ-7
Rosemund Inc. Sales No.	A97-RF-2078-01	Filter Serial No.	10-951-7

PROCESS DATA					
Filter surface area	m2	10.0	HEAT TRANSFER AREA		
Working volume	Gal	3382	Agitator	112	50
Max. cake volume	Gal	1689	Sidewall	112	64
			Filterbase	112	90

SERVICES REQUIRED			
Air connection:	Instrument air 60-100psig (One on hydraulic pack)		
Seal Nitrogen:	15psig above maximum operating pressure (Mechanical Seal Nozzle Y1)		
Cooling water:	Flow rate 8-10 Gpm 40-60psig (One in-and one outlet, on hydraulic pack)		

DISCHARGE VALVE			
Type:	Rosemund	MATERIALS	
Valve model:	Metal to Metal Seats	Main body:	304L SS (Low Moly)
Bore:	DN 400 (16")	Side plate:	N/A
Housing pressure rating:	5 psig (non ASME code)	Spindle:	304 SS
Design temperature:	-20/+370F	Seals:	304L SS (Low Moly)
Flanges:	ANSI 150#	O-Rings:	Chemraz
Actuator:	Hydraulic motor	Sensor:	P+F Type NJ5-18GM-N-V1
	Danfoss OMT 500	Hinged Access:	Yes
Internal finish:	Mill		

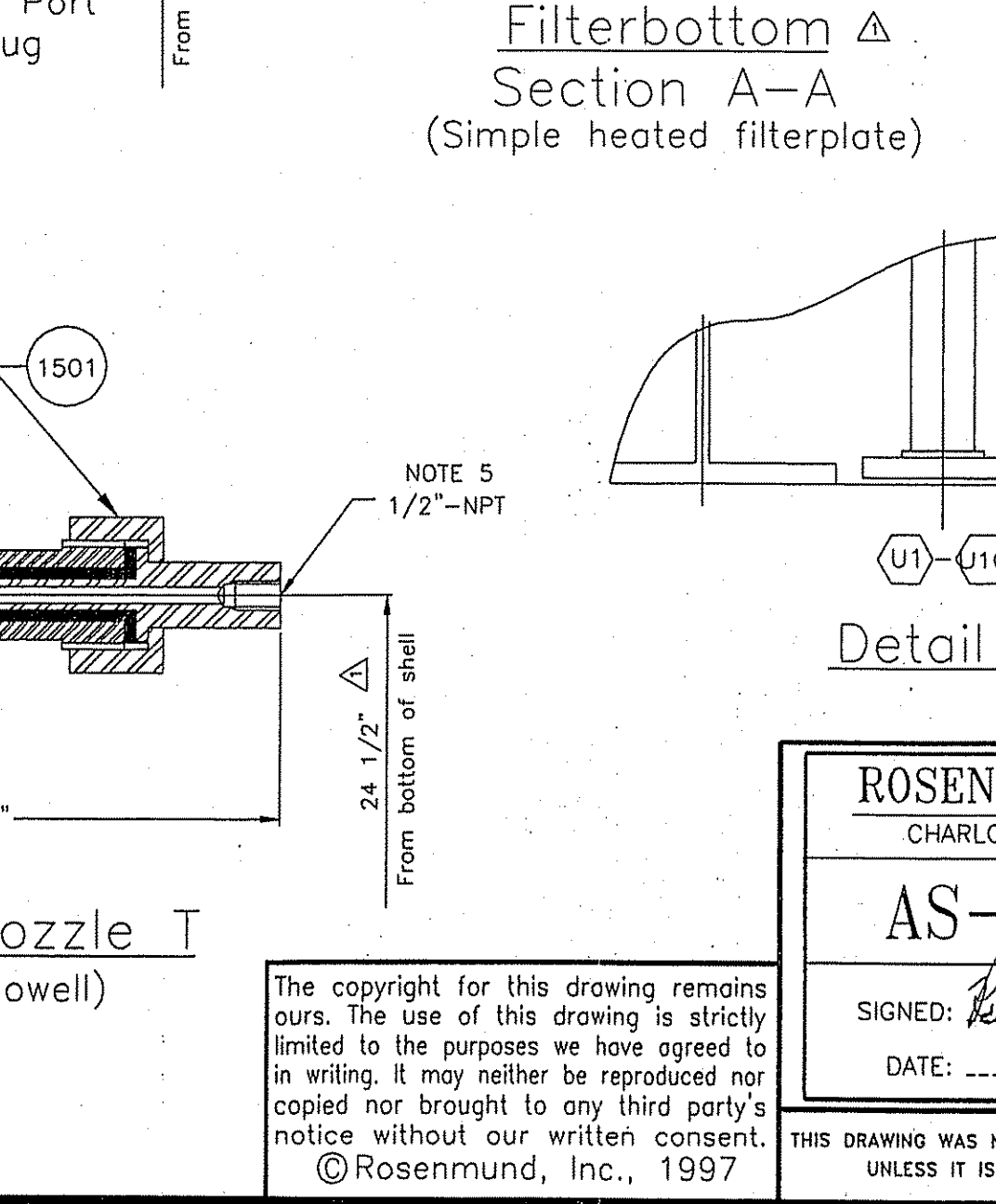
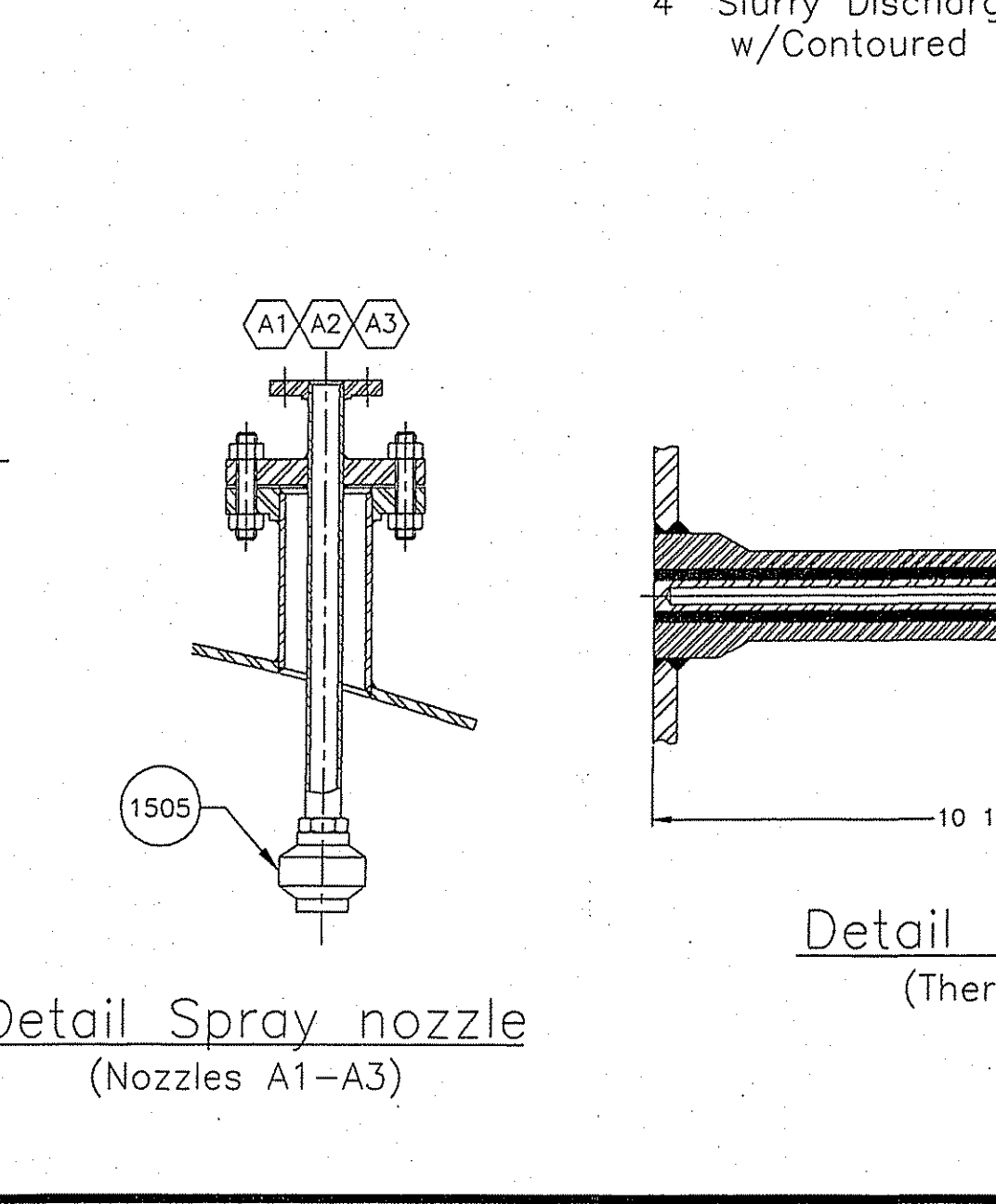
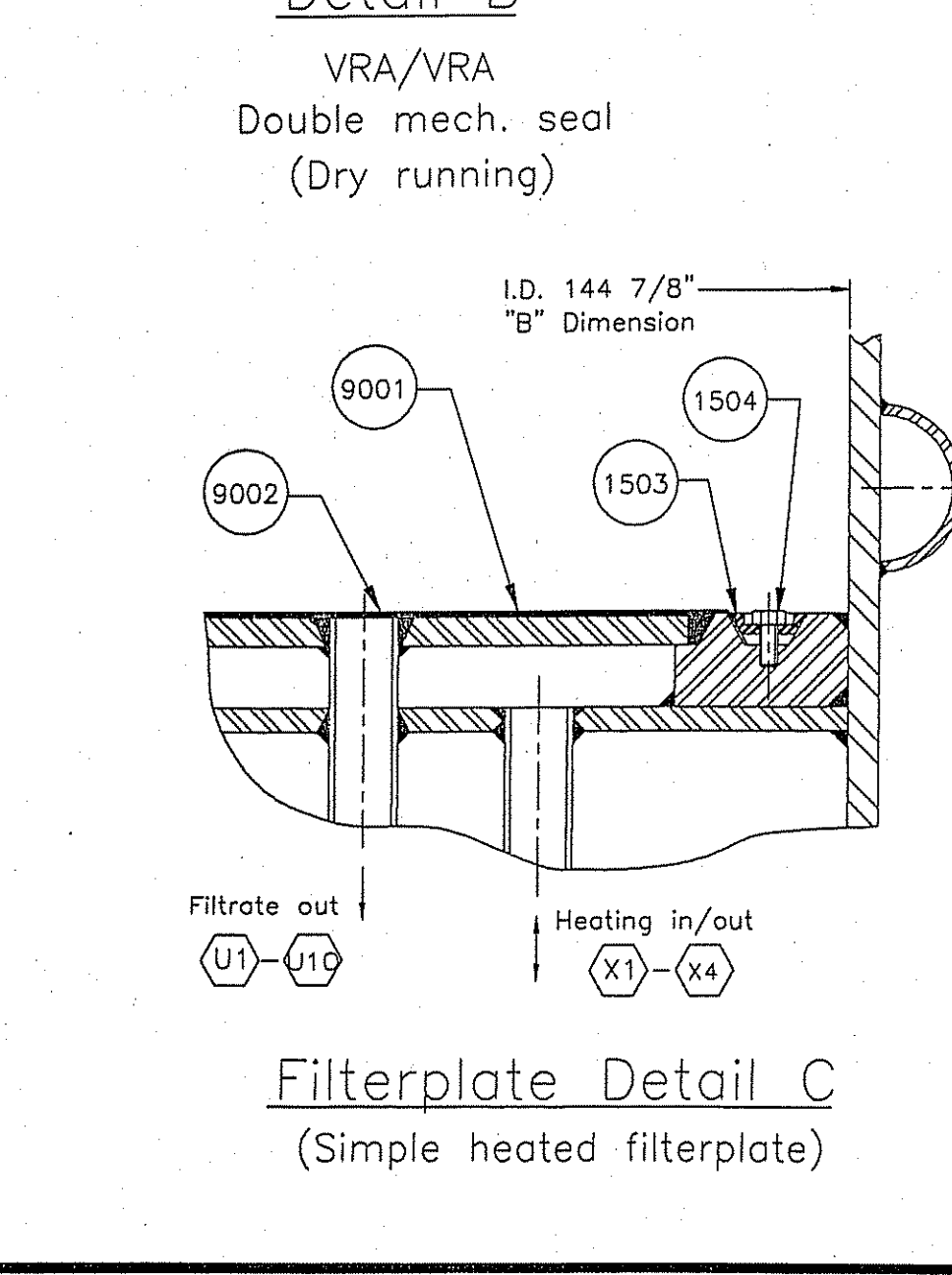
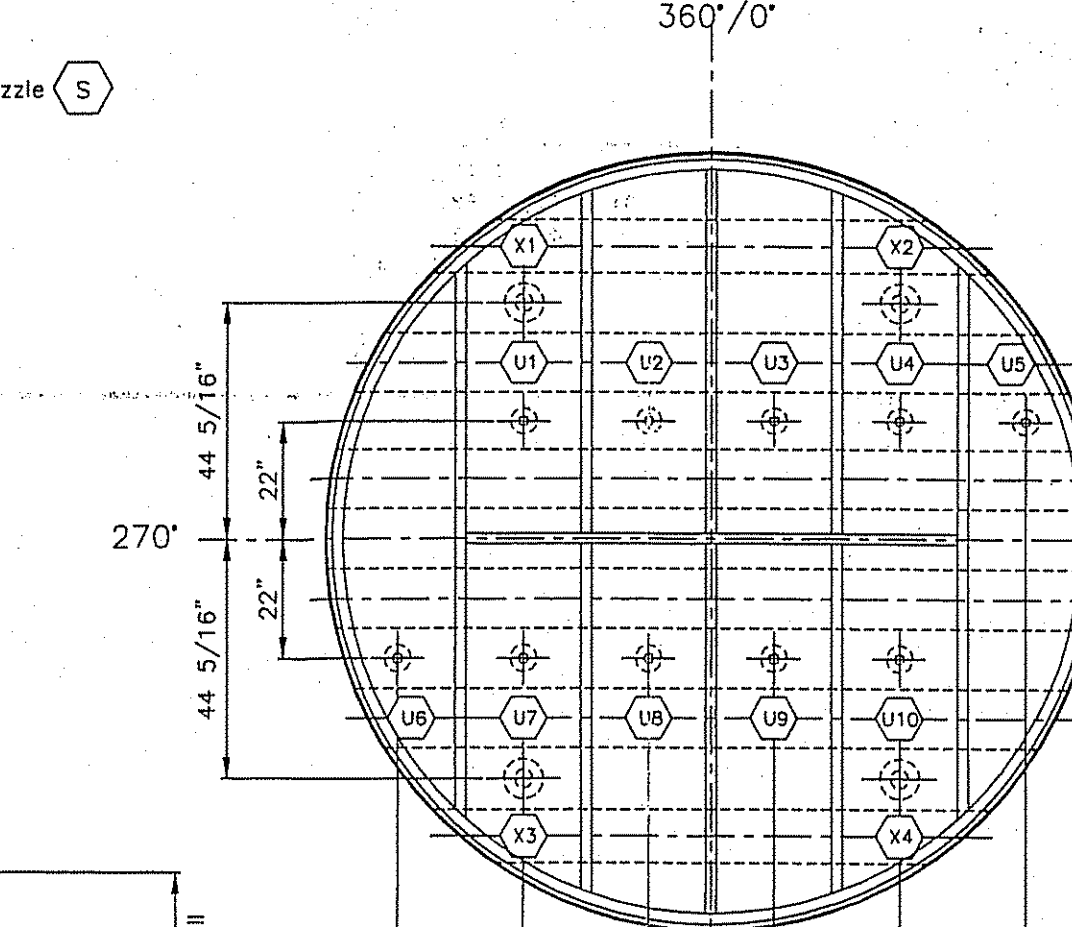
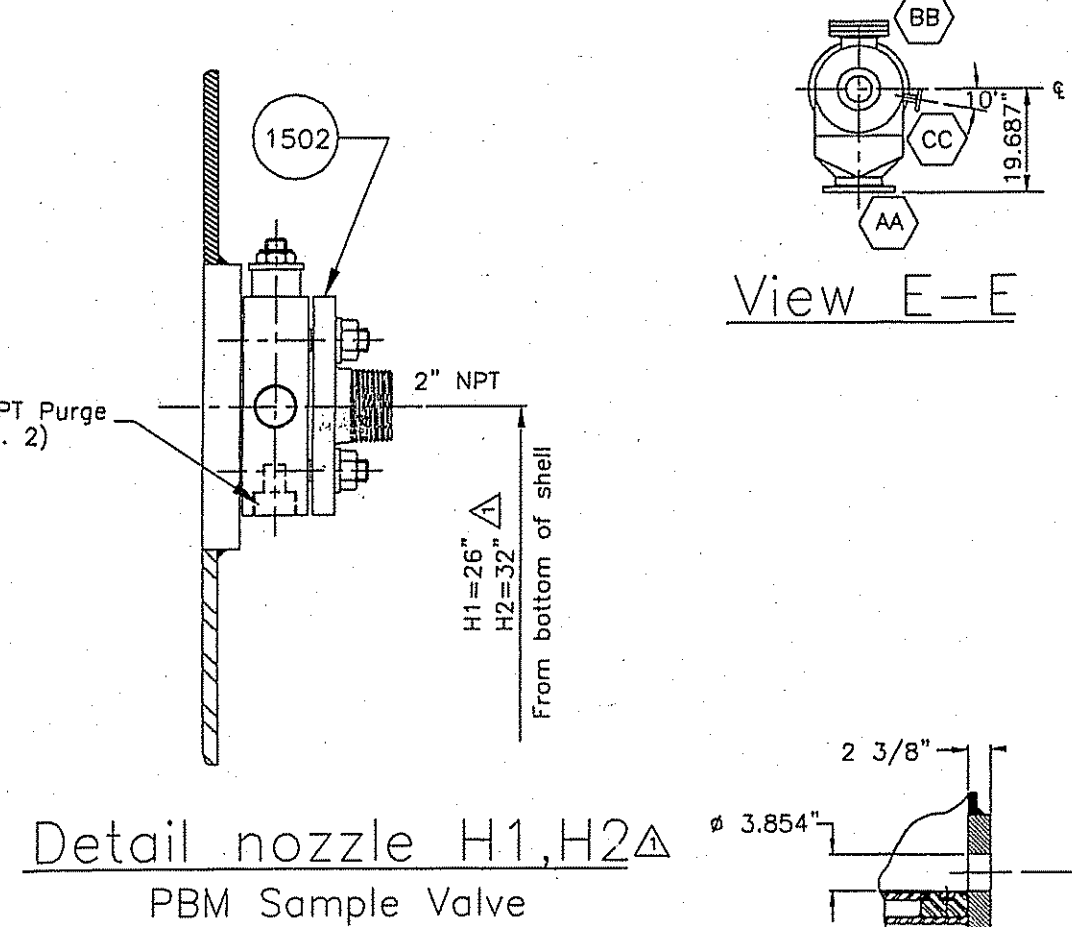
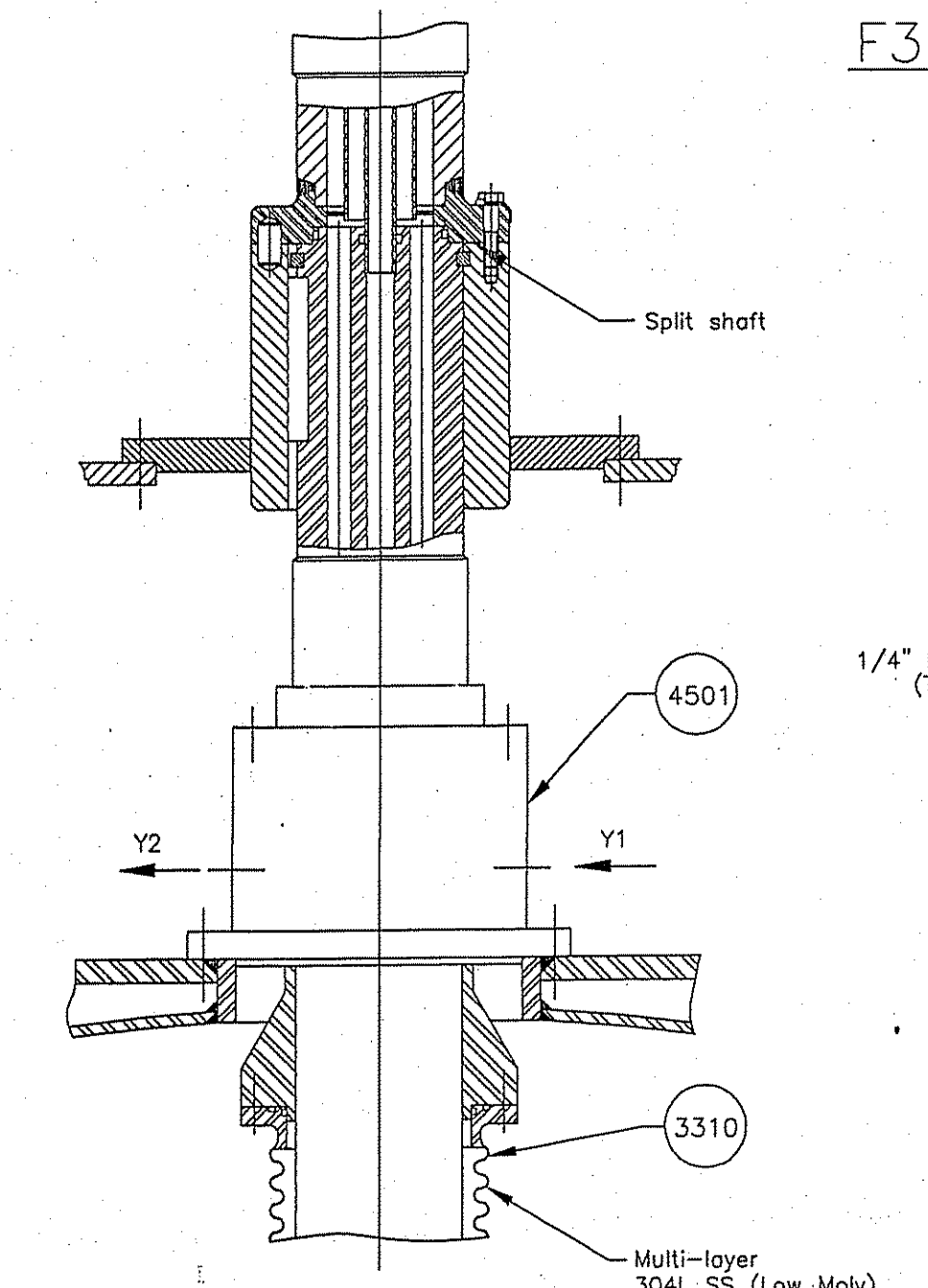
DUSTFILTER SPECIFICATION				
Design pressure	Paig	60/FV	150/FV	
Design temperature	F	-20/+370	-20/+370	
Test pressure	Paig	Per code	Per code	
ASME Code stamped	Yes	Yes	External finish	Glass Bead

DRIVE UNIT SPECIFICATION			
Drive size:	10m2 F3 Drive stool	Max. Torque on Agitator:	50,000 NM
Driven by:	Electric motor	Internal parts made of:	304 SS (Low Moly)
Gearbox:	TDHSF3	External parts made of:	Carbon steel
Drive Type:	N-Eupep B-140	External bolting:	ASTM A193 Gr. B8 A194 Gr.8 (304 SS)
Wetted parts finish:	Mill	Main shaft mechanical seal:	Durametallic VRA/VRA
Stroke:	600mm (23 5/8")		w/304L SS (Low Moly) Bellows
Agitator:	3-arm heated "S-blade"	Paint external:	Mill
		Paint on Carbon steel:	Sherwin Williams Polone B
Design conditions:	145psig at -20/370F	NO.F63BK2270-4373, color "blue"	
Shaft diameter:	220mm	O-Rings product side:	Kalrez
HP motor:	40	O-Rings Arm side:	Viton
Speed of Agitator:	2.5 - 7.5 RPM	Rotary joint:	Maier DXSR-265

Qty.	Description	Location
1000	10M ² Filter-Dryer Vessel fabricated in 304L SS with a certified Molybdenum content less than 0.5%.	
1501	Thermowell Assembly	
1502	PBM Half Ball Sample Valve - Reference PBM Drawing No. FTK-37-W2 F37-97194A	
1503	Clamping Bar Assembly	
1504	Hex Head Cap Screw 0.3125 x 1.875 x 0.75 In 304L SS (Low Moly)	
1505	Spraying Systems 360° Rotating Teflon Spray Balls - Part No. 27500E-1-30-TEF	
2001	Rosemund F3 Drive Stool - Reference Rosemund Drawing No. 334.20228 B	F3 Drive Stool
2002	Spelss TD0513 Gearbox	F3 Drive Stool
2003	Reliance 40 Horsepower Electric Motor	F3 Drive Stool
2021	Hoprich Hydraulic Cylinders - Part No. ZMD 80/56/600	F3 Drive Stool
2351	Maier Brass Rotary Joint - Part No. DKSR 285 K-32 MB 6950	F3 Drive Stool
2701	600mm Graduated Scale	F3 Drive Stool
3310	Rosemund 3-arm, Heated, S-Blade Agitator	F3 Drive Stool
4501	Durametallic VRA/VRA Dry Running Double Mechanical Seal	F3 Drive Stool
5101	Rosemund DM400 Side Discharge Valve - Reference Rosemund Drawing No. 334.90195 B	Side Discharge Valve
5141	Danfoss OMT 500 Hydraulic Motor	F3 Drive Stool
6305	Pepperl and Fuchs Proximity Sensors - Part No. NUS-18GM-N-V1	F3 Drive Stool
6505	Pepperl and Fuchs Proximity Sensors (Open / Closed) - Part No. NUS-18GM-N-V1	F3 Drive Stool
6601	United Electric Pressure Switch - Part No. H402-552-0140-W202	F3 Drive Stool
6602	J.M. Conly Vessel Lights - Part No. HTL80-10EM-EXP-S-WB-2PL150-SS	F3 Drive Stool
6603	ASCO Solenoid Valve - Part No. E78210089	Dustfilter
6605	Pepperl and Fuchs Proximity Sensor - Part No. NUS-18GM-N-V1	Manway/SIV
6901	Agitator Control Station - Reference Rosemund Drawing No. 414-01-K4	
6902	Precision Dual Speed Flow Control Station - Reference Rosemund Drawing No. 97-RF-414-H1	
7000	2.5M ² Sock Dustfilter - Reference Mueller Drawing No. PD09768 D	
9001	40 Micron Porous Multi-Layer Filter Media in 304L SS (Low Moly), 10 Segments per set.	
9002	3.5mm x 1.0mm Baking Screen with Edge Treatment in 304L SS (Low Moly), 10 Segments per set.	

Certifications			
Filter Vessel ASME National Board No.:	*		
Dustfilter ASME National Board No.:	*		

- NOTES:
- Hydraulic Manifold : Two (2) 3/8" x 10' Hose 37" JIC Fittings
 - Hydraulic Motor (Danfoss OMT 500) : Two (2) 1/2" x 10' Hose (3/4" Tubing) One (1) 3/8" x 10' Hose (1/2" Tubing) 37" JIC Fittings
 - Four (4) 2" Diameter Lifting Lugs spaced 90° apart
 - Two (2) 1-1/4" Diameter Lifting Lugs
 - Temperature Element by Client



FILE NO. FILTERSIDE01A/97/414

The copyright for this drawing remains ours. The use of this drawing is strictly limited to the purposes we have agreed to in writing. It may neither be reproduced nor copied nor brought to any third party's notice without our written consent.
© Rosemund, Inc., 1997

ROSENMUND, INC.
CHARLOTTE, N.C. 28273

AS-BUILT

SIGNED: _____
DATE: 4-30-98

THIS DRAWING WAS NOT ISSUED BY ROSENMUND, INC. UNLESS IT IS STAMPED AND SIGNED.

NO.	REVISION	DATE	DRAWN	APPROV
1	As built drawing	4/1/98	V.Furrer	RTP
A	Issued for approval	4/18/97	T. NAIL	RTP

ROSENMUND, INC.
CHEMICAL PROCESS EQUIPMENT

9110 FORSYTH PARK DRIVE
CHARLOTTE, NC 28273

For 10m2 Side Discharge Filter-Dryer (304L SS LOW MOLYBDENUM)

Scale: 1/36"=1"

Drawn: 4/18/97
Checked: 4/30/98
DWG. NO.: 97-RF-414

Client: BASF CORPORATION, BEAUMONT TX

T. NAIL
REV.

1