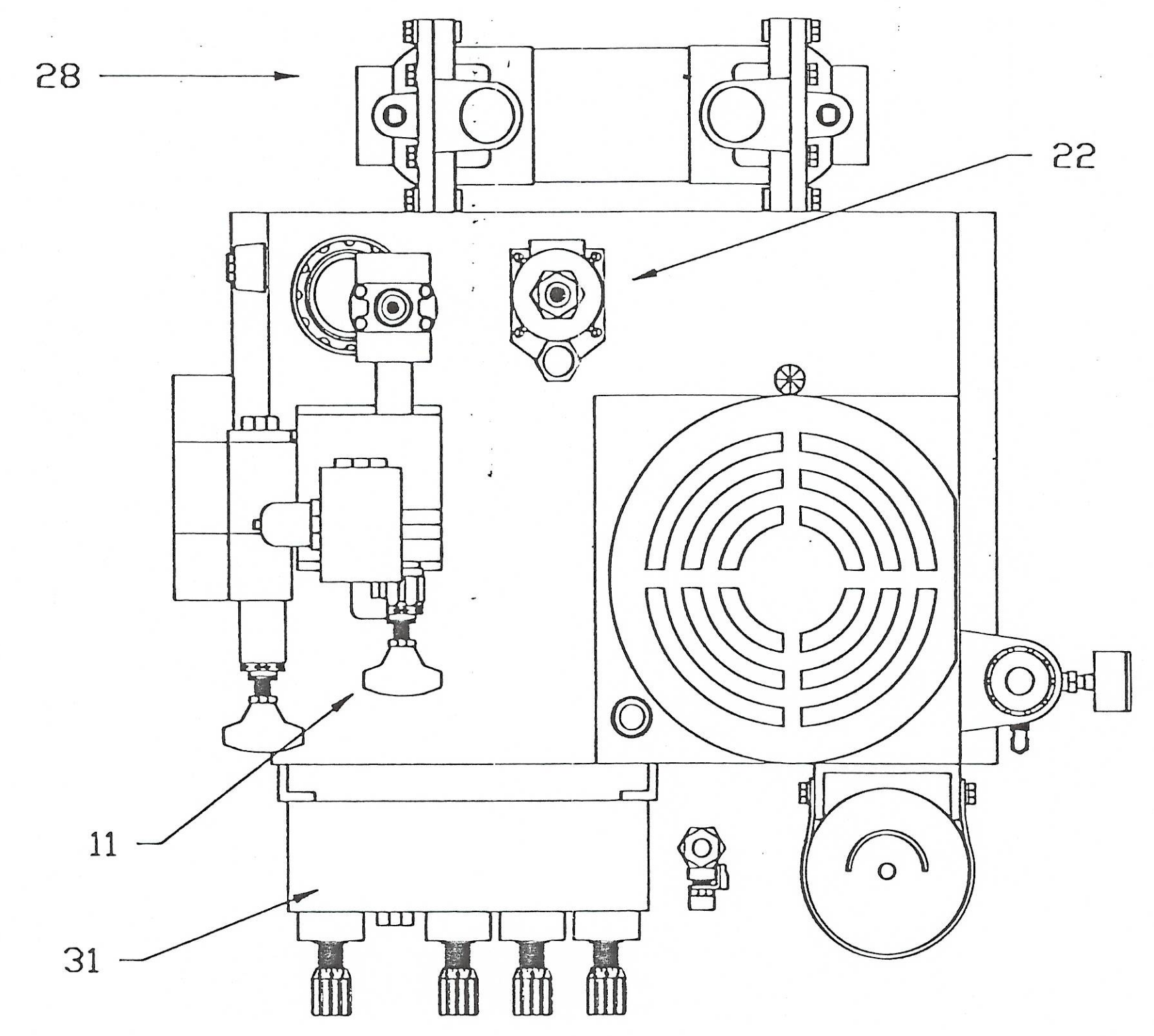
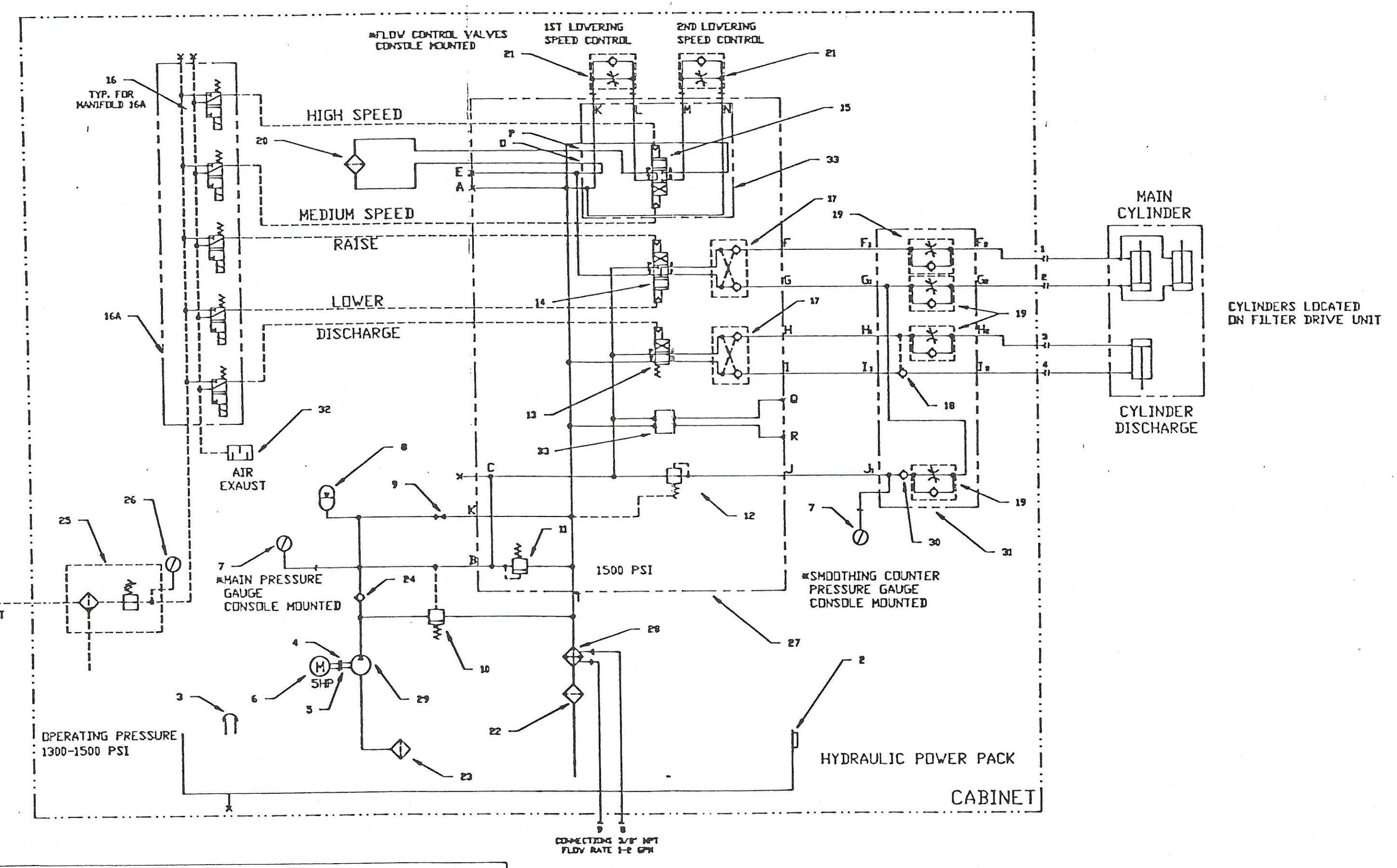
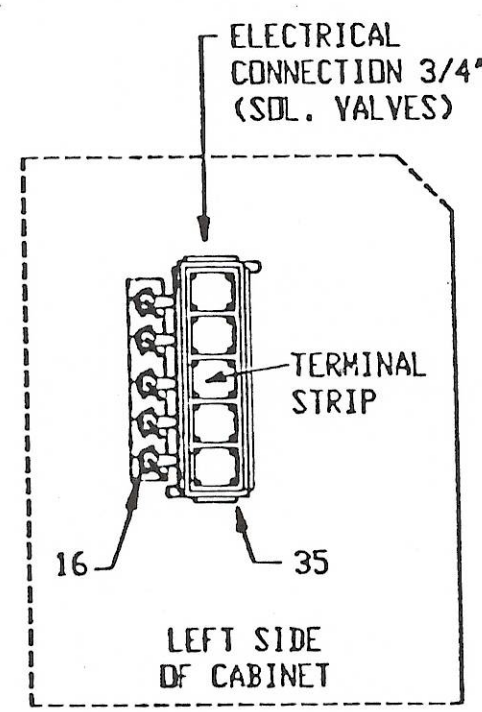
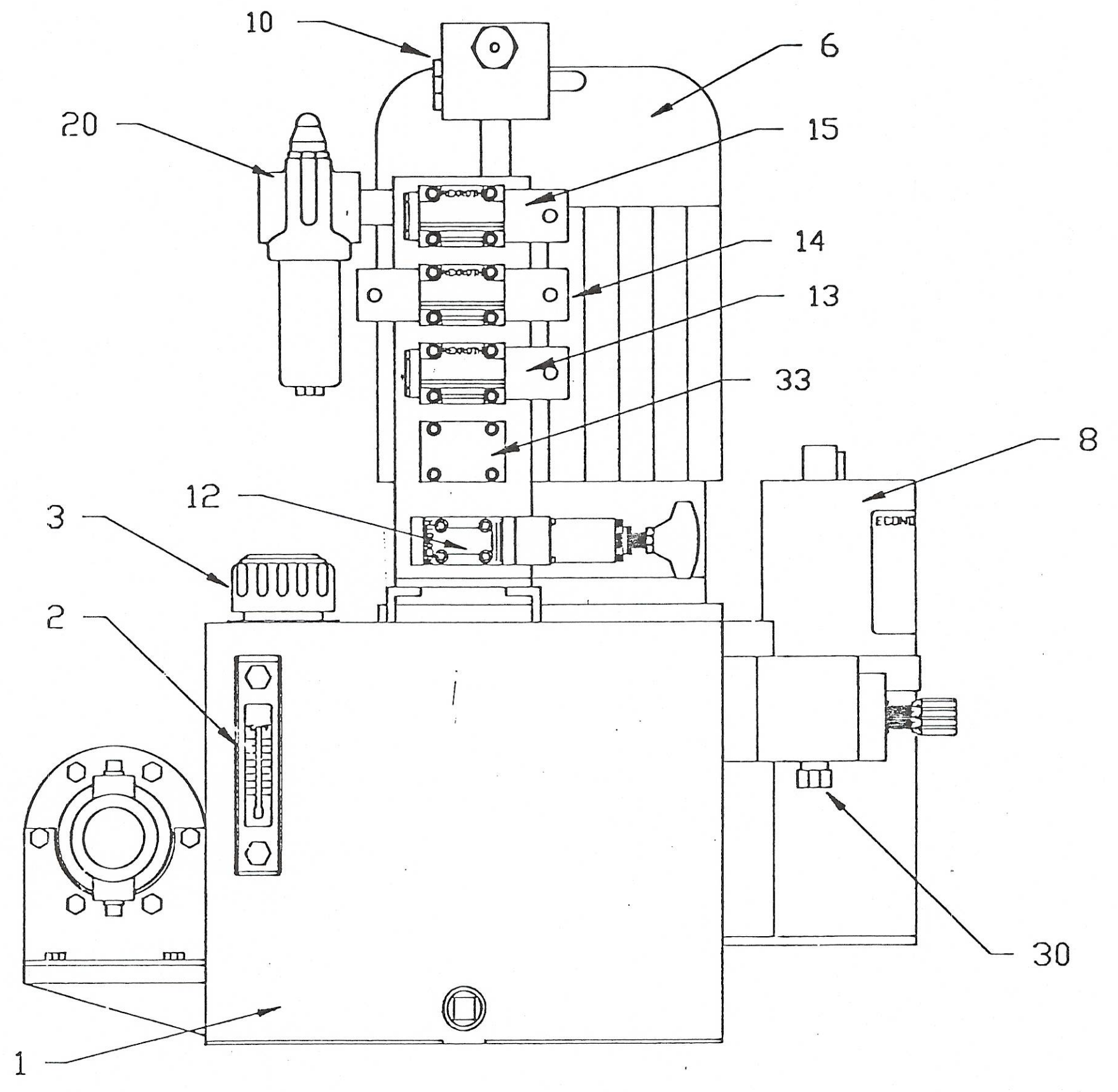


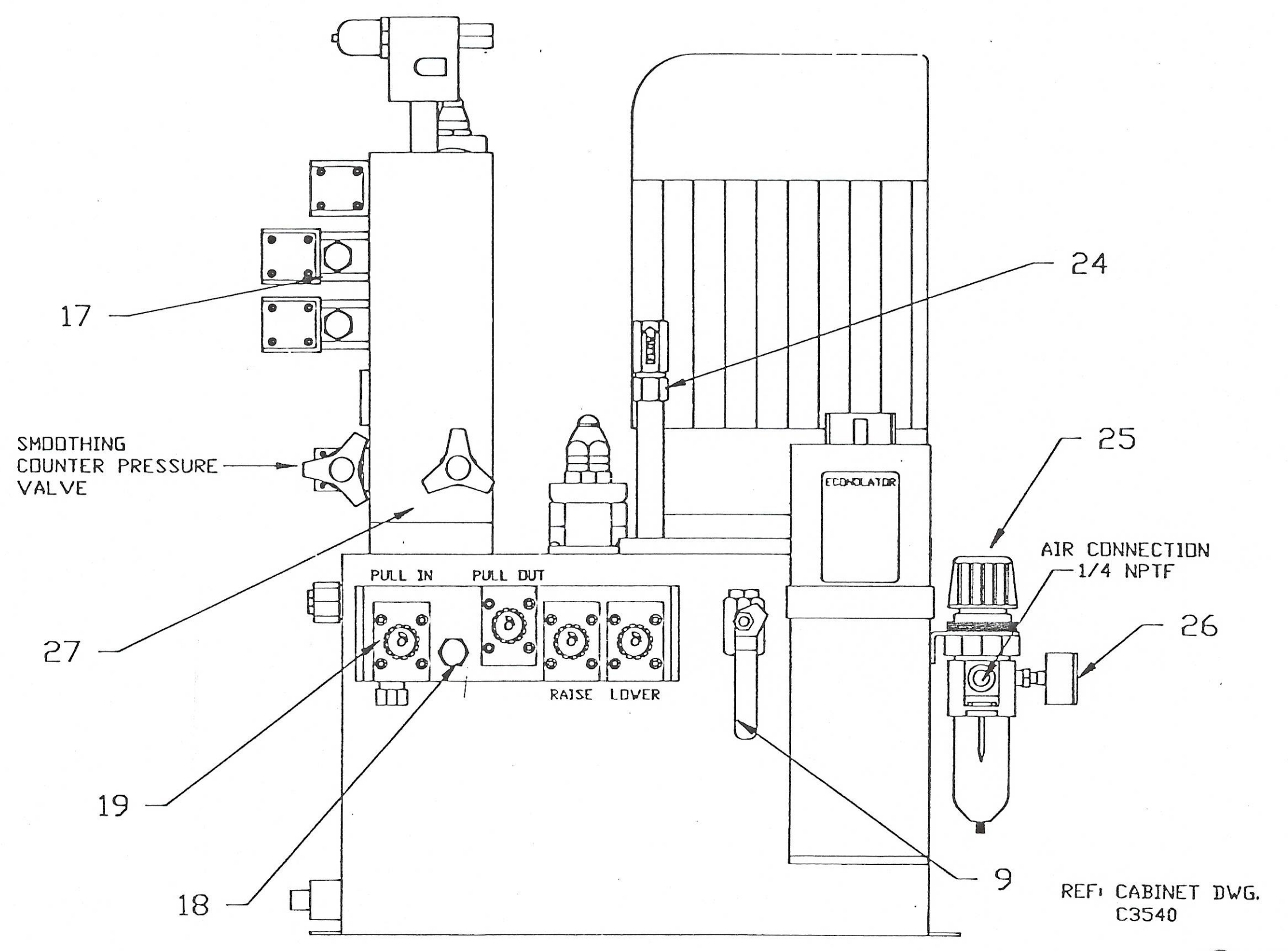
SOLENOID VALVE LOCATION



ITEM	QTY	DESCRIPTION
1	1	RESERVIOR AS PER L&H DWG. C2731-1 & D3233-1
2	1	SIGHT LEVEL & TEMP GAUGE, HYCON FSA127-1.1/T12
3	1	FILLER BREATHER, HYDRO-CRAFT HC-120
4	1	C-FACE ADAPTER, MAGNALOY M182522AA
5	1	COUPLING, MAGNALOY PM90 1-1/8 x 1/4 - 1/2 x 1/8
6	1	5HP MOTOR, RELIANCE 230/460/3 PHASE 1.15 S.F., CLASS 1, DIV 1, GROUP C&D
7	2	GAUGES, WIKA 213.40, 2.5, 1/4 CBM, 0-2000 w/860-9996 FLANGE
8	1	ACCUMULATOR, TDBUL 4.5AL-4 w/4.5AL-3388 Brkt
9	1	BALL VALVE, CONBRACO 73-101-01
10	1	UNLOADER VALVE, REPUBLIC U6701-2-1/4-S-2-1/4
11	1	RELIEF VALVE, REXROTH DBDH6K1X/200-W
12	1	REDUCING VALVE, REXROTH DR5DP1-1X/150Y
13	1	DIRECTIONAL VALVE, REXROTH 4WP6D5X/N
14	1	DIRECTIONAL VALVE, REXROTH 4WP6J5X/N
15	1	DIRECTIONAL VALVE, REXROTH 4WP6Y5X/N
16	5	PILOT AIR VALVE, VERSA ESM-3011-34-Z-XX-120V60
16A	1	MANIFOLD, VERSA E7M-31-121-5
17	2	DUAL CHECK VALVES, REXROTH Z2S61-6X/V
18	1	CHECK VALVE, SUN CKCA-XAN
19	4	FLOW CONTROL VALVE, HYCON DRVP8-1.1/0
20	1	PRESSURE FILTER, HYCON MDFBN30G20B1.0/5-BYP
21	2	FLOW CONTROL VALVE, REXROTH 2FRM5-3X/3Q
22	1	RETURN FILTER, HYCON RFP30G10B1.1/5
23	1	SUCTION STRAINER, HYCON SFE15G125A1.0/BYP
24	1	CHECK VALVE, SNAPTITE CPIFF-3P-05A
25	1	REGULATOR/FILTER/DRAIN, WATTS B11-02DJCR
26	1	GAUGE, WATTS 274Z160W6
27	1	MANIFOLD, SELLING PRECISION D2546-1
28	1	WATER TO OIL COOLER, HAYDEN HW 309-A4-1
29	1	PUMP, REXROTH S12-50-AK7-5-R
30	1	CHECK VALVE, SUN CXDA-XAN
31	1	MANIFOLD, SELLING PRECISION # C1846 RSV.1
32	1	MUFFLER, ARROW LHM-3
33	1	DDI BLANKING PLATE, SELLING PRECISION A2569
34	1	MANIFOLD B2208-1
35	1	EXPLOSION PROOF ELECTRICAL JUNCTION BOX SWBC-2 KILLARK



ALL PIPING INSIDE CABINET BY MANUFACTURER.
PIPING BETWEEN POWER PACK AND FILTER BY CLIENT



REF. CABINET DWG. C3540

ROSENMUND INC. 2969 INTERSTATE STREET • P.O. BOX 668625
CHEMICAL PROCESS EQUIPMENT CHARLOTTE, NC 28266-8625

SANDOZ
1199/90-RF-147-3

Scale 1:3.5
Drawn CEA
Checked

DATE 6-21-90

SC-770

LIVINGSTON & HAVEN
CUSTOMIZED HYDRAULIC, PNEUMATIC & CONTROL SYSTEMS

TITLE: AUX. HYDRAULIC UNIT

PROJECT NO: 22 07246 /11257

DRAWING NO: D3544

SCALE: 1:3.5

⊗ ELECTRICAL CONNECTION BY CLIENT