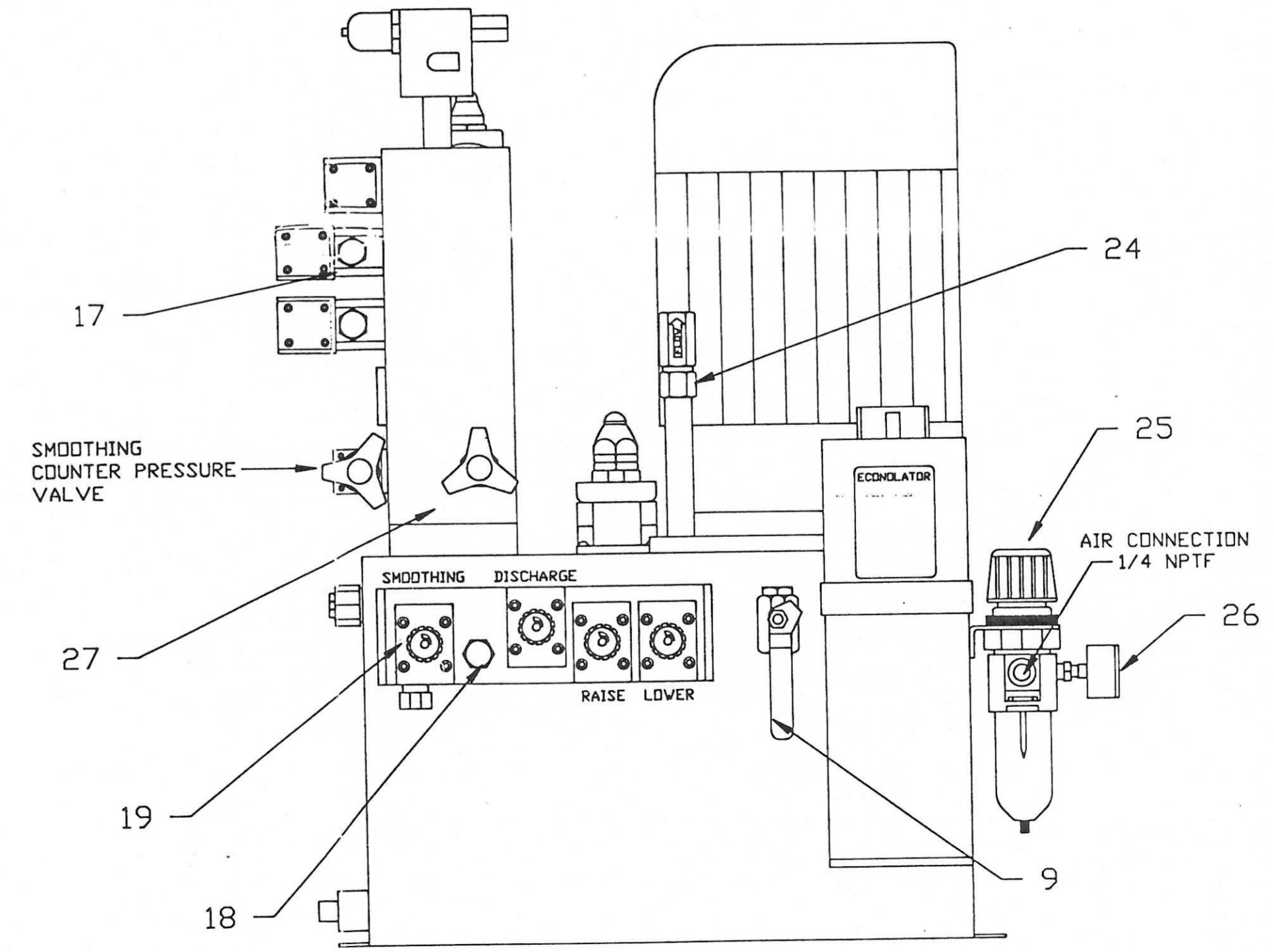
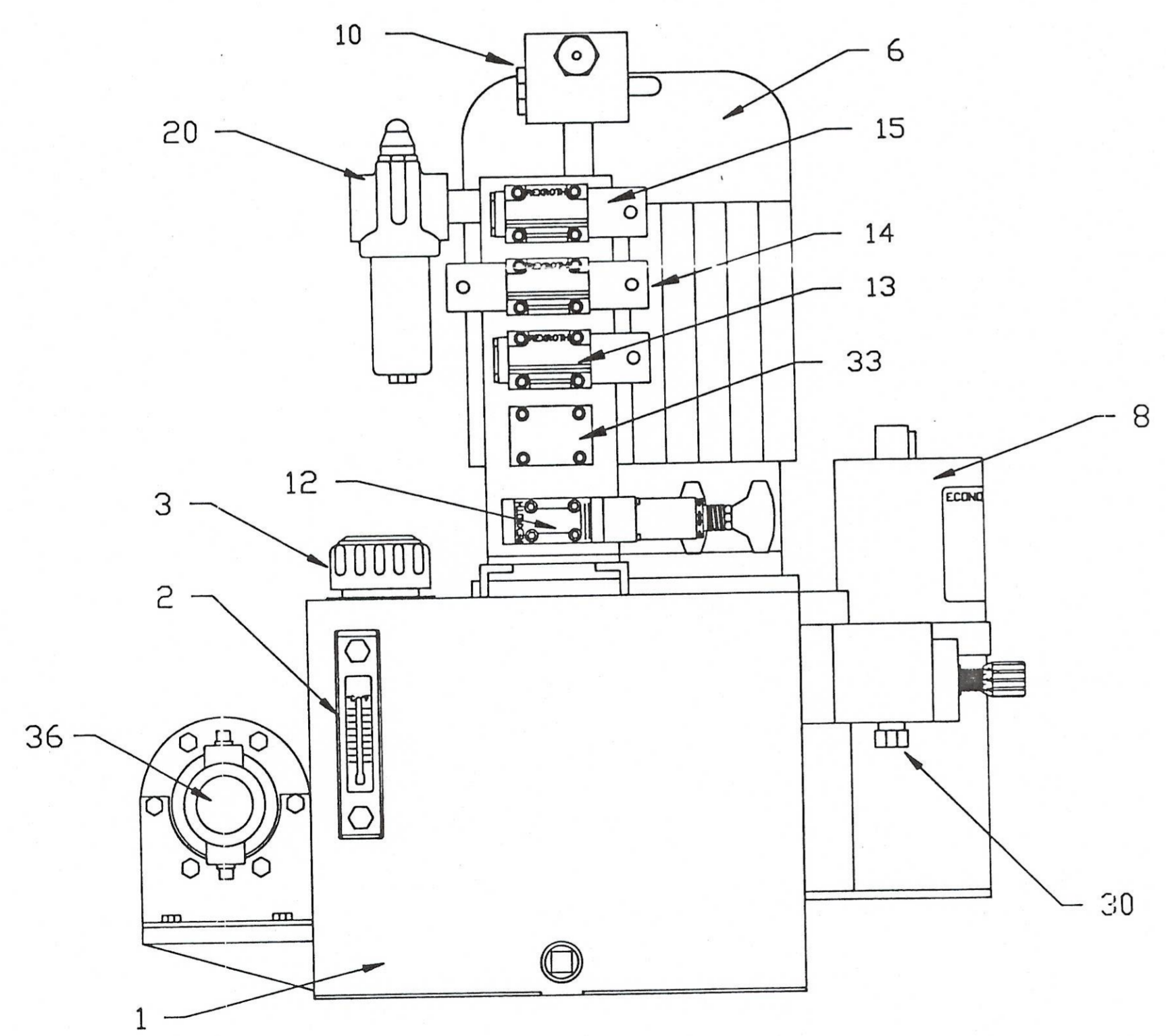
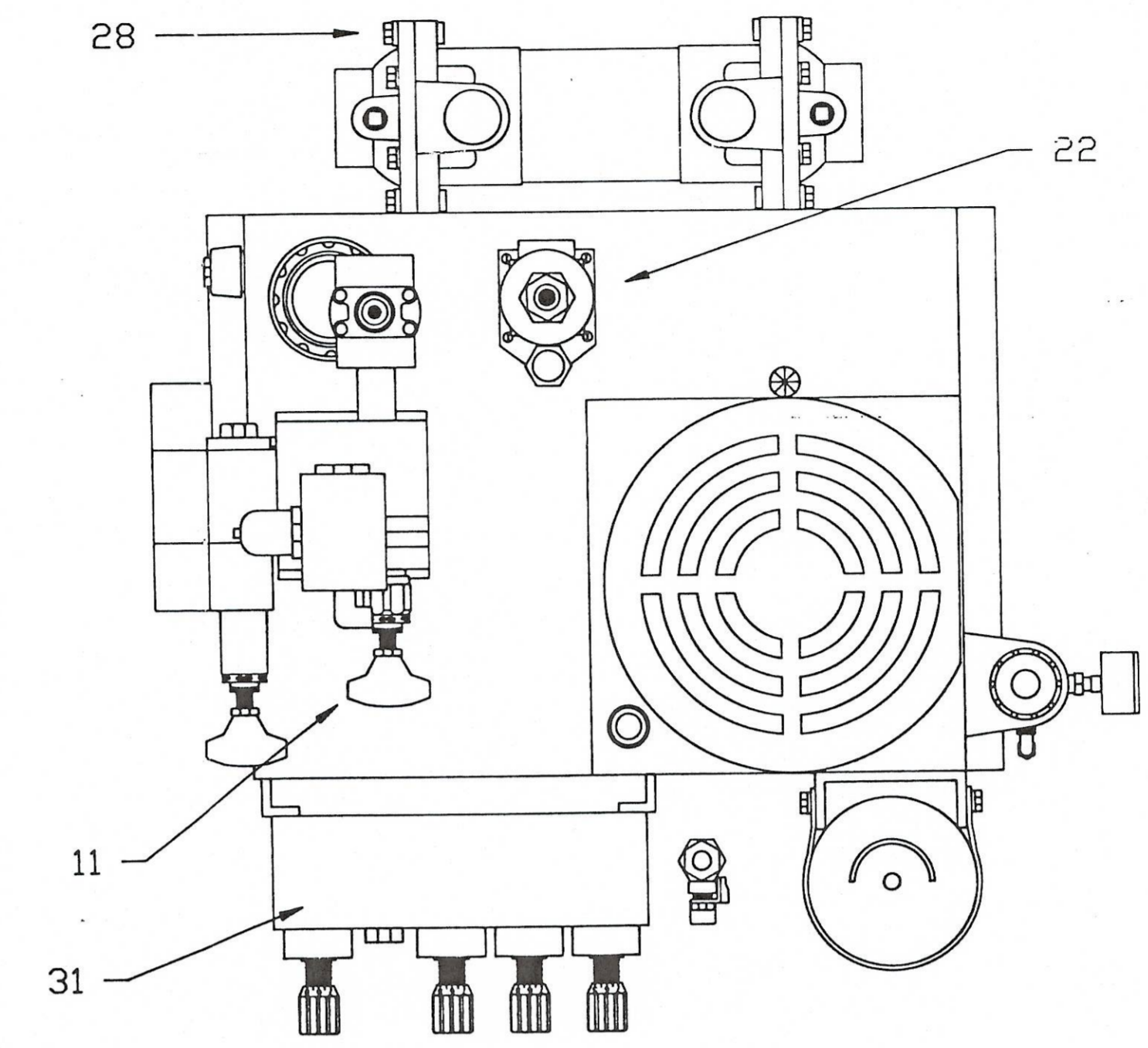
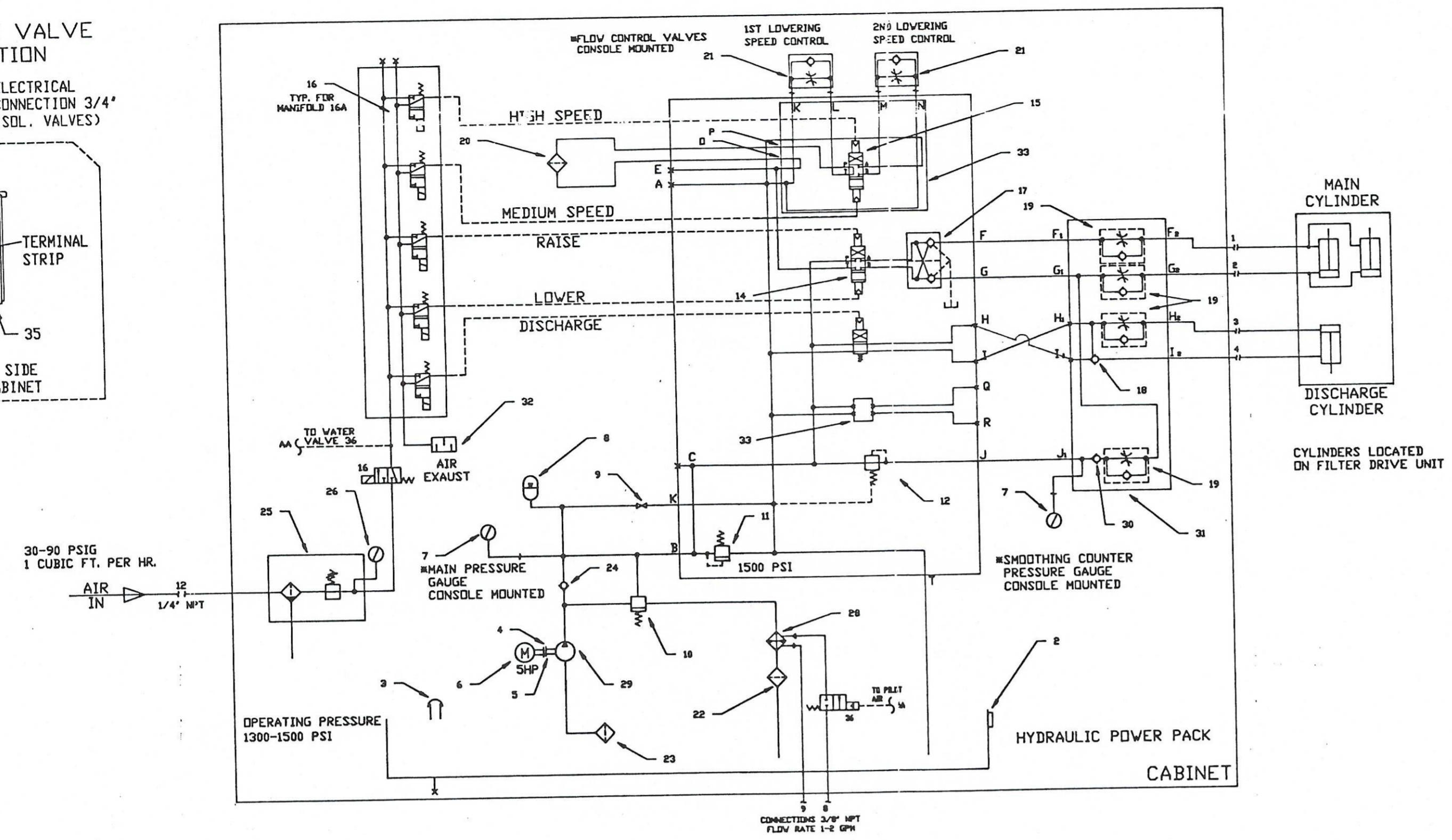
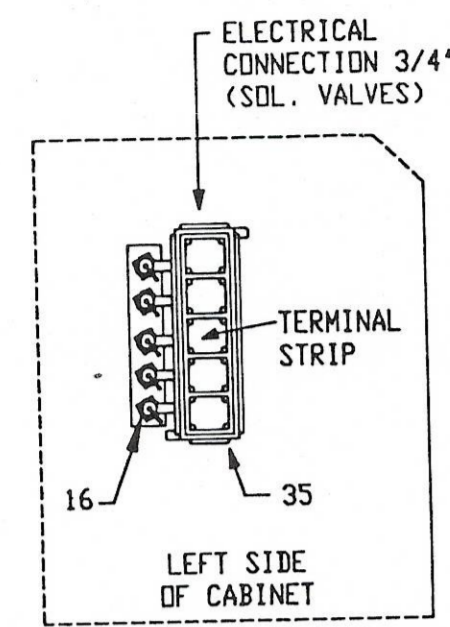


**SOLENOID VALVE LOCATION**



ALL PIPING INSIDE CABINET BY MANUFACTURER.  
PIPING BETWEEN POWER PACK AND FILTER BY CLIENT

ITEM	QTY.	BILL OF MATERIALS
1	1	REFERENCE L&H DVG. C2731-1 & D3233-1 RESERVOIR
2	1	FSAI27-11/112 SIGHT LEVEL & TEMPERATURE GAGE, HYCON
3	1	HC-120 FILLER BREATHER, HYDRO-CRAFT
4	1	M182522AA C-FACE ADAPTER, MAGNALDY
5	1	PM90 (1 1/8 x 1/4 - 1/2 x 1/8) COUPLING, MAGNALDY
6	1	230/460/3 PHASE, 115 SF., CLASS 1 DIV. 1 GRP. C&D 5 HP MOTOR, RELIANCE
7	2	213.40 2.5, 1/4 CBM0-2000 GAGE w/ 860-9996 FLANGE, WIKA
8	1	4.5AL-4 w/4.5AL-3388 BRACKET ACCUMULATOR, TOBUL
9	1	73-101-01 BALL VALVE, CONBRACO
10	1	U6701-2-1/4-S-2-1/4 UNLADDER VALVE, REPUBLIC
11	1	DBDH6K1X/200-W RELIEF VALVE, REXROTH
12	1	DRSDPI-1X/150Y REDUCING VALVE, REXROTH
13	1	4VP65X/N DIRECTIONAL VALVE, REXROTH
14	1	4VP65X/N DIRECTIONAL VALVE, REXROTH
15	1	4VP65X/N DIRECTIONAL VALVE, REXROTH
16	5	ESH-3011-34-Z-XX-120V 60HZ PILOT AIR VALVE, VERSA
16A	1	E7M-31-121-5 MANIFOLD, VERSA
17	2	CKCF-VCH-EBD DUAL CHECK VALVES, SUN
18	1	CKCA-XAN CHECK VALVE, SUN
19	4	DRV8-11/0 FLOW CONTROL VALVE, HYCON
20	1	MDFBN30G20B10/5-BYP PRESSURE FILTER, HYCON
21	2	2FRM5-3X/30 FLOW CONTROL VALVE, REXROTH
22	1	RFP30G10B1/5 RETURN FILTER, HYCON
23	1	SF15G125A10/BYP SUCTION STRAINER, HYCON
24	1	CP1FF-3P-05A CHECK VALVE, SNAPTITE
25	1	B11-02DJCR FILTER/REGULATOR/DRAIN, WATTS
26	1	2742160V6 GAGE, WATTS
27	1	D2546-1 MANIFOLD, SELLING PRECISION
28	1	HW 309-A4-1 WATER TO OIL COOLER, HAYDEN
29	1	S12-50-AK7-5-R PUMP, REXROTH
30	1	CXDA-XAN CHECK VALVE, SUN
31	1	C1846-1 MANIFOLD, SELLING PRECISION
32	1	LHMF-3 MUFFLER, ARROW
33	1	D01 DVG # A2569 BLANKING PLATE, SELLING PRECISION
34	1	B2208-1 MANIFOLD, SELLING PRECISION
35	1	SWBC-2 EXPLOSION PROOF ELECTRICAL JUNCTION BOX, KILLARK

\*\*\* ELECTRICAL CONNECTIONS BY CLIENT

**LIVINGSTON & HAVEN**  
CUSTOMIZED HYDRAULIC, PNEUMATIC & CONTROL SYSTEMS  
15516 Vinson Boulevard  
Charlotte, North Carolina  
704-569-3678

ROSENMUND INC. 2969 INTERSTATE STREET W. P.O. BOX 68625  
CHEMICAL PROCESS EQUIPMENT CHARLOTTE, NC 28266-8625

REF: CABINET  
DWG: C3540

Scale	Drawn	CEA	4/3/91
1:4	Checked		

LET.	REVISION	DATE	SALES/WORK ORDER NO.	DRAWING NO.	REV.
			2207246/11257	D3544	A