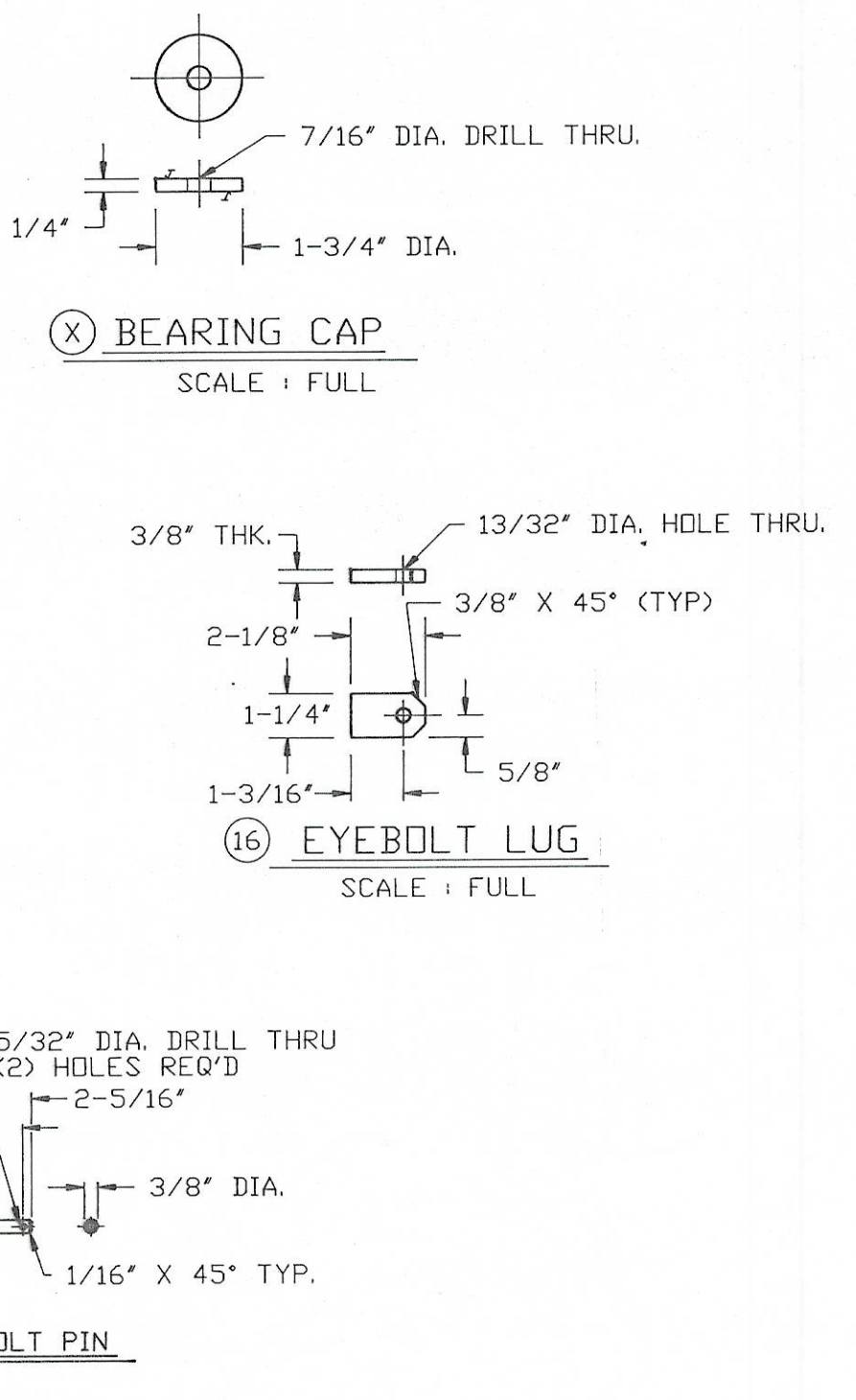
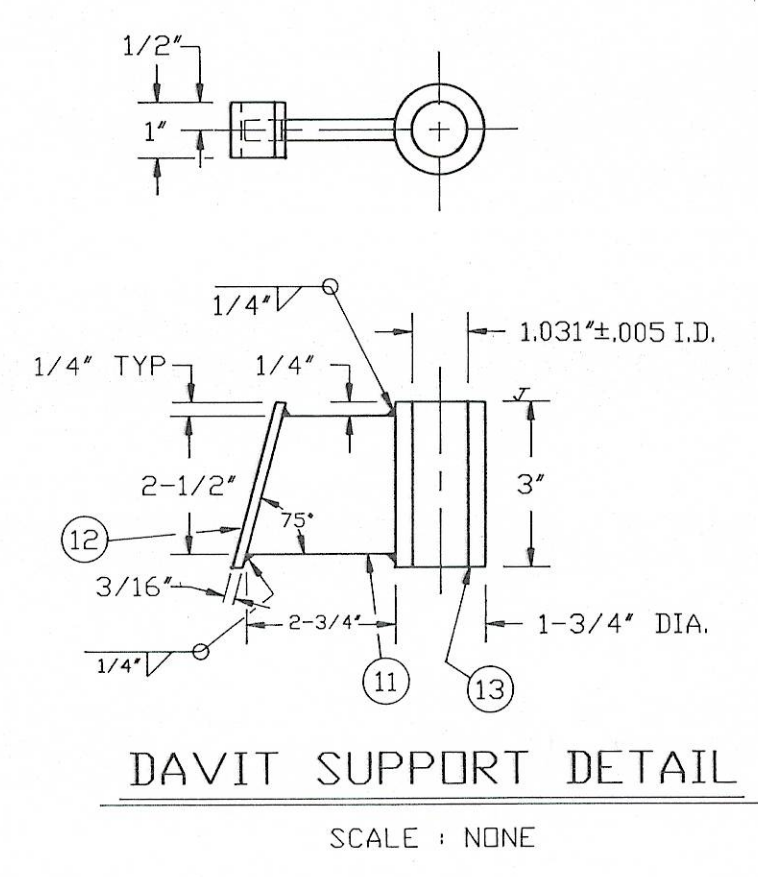
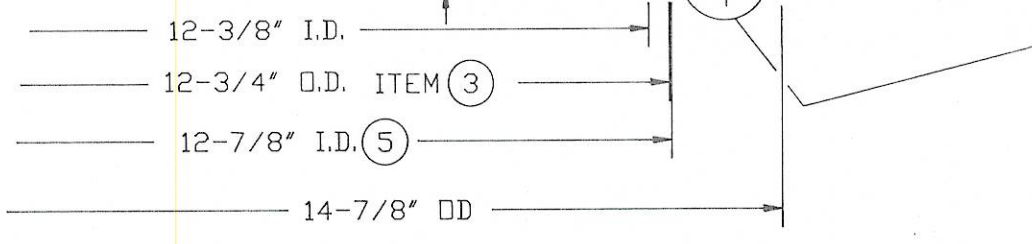


NOTE:
A. BOLT LID IN PLACE AND WELD DAVIT SUPPORT IN PLACE W/CLEARANCE AS SHOWN.



NO.	QTY.	DESCRIPTION	MATERIAL	S.C. PART NO.	DRAWING NO.	QTY./PER
60						
59						
58						
57						
56						
55						
54						
53						
52						
51						
50						
49						
48						
47						
46						
45						
44						
43						
42						
41						
40						
39						
38						
37						
36						
35						
34						
33						
32						
31						
30						
29						
28						
27						
26						
25						
24						
23	6	COTTER PIN 1/8" X 3/4" LG.	316	9103369		6
22	1	WASHER, LOCK 3/8"	304	6605936		1
21	12	WASHER, FLAT 3/8"	304	6605901		12
20	6	WASHER, FLAT 3/8" .765" ID X 1/4" THK.	316	250107		6
19	6	NUT, HEX 3/8"-NC (GAS/PLATED)	SA-194 2H C.S.	9135972		6
18	1	SCREW, CAP HEX HD 3/8"-NC X 3/4" LG.	SA-193 BB 304	9125884		1
17	1	BEARING, THRUST NEEDLE ROLLER SKF RBT-1625-5-30	STB	9125883		1
16	12	BAR, FLAT 3/8" THK. X 1-1/4" X 2-1/8" LG.	SA-479 304	5009000		1325"
15	6	BAR, RND 3/8" DIA. X 2-5/16" LG.	SA-479 304	5199000		1182"
14	1	BAR, RND 1-3/4" DD X 3/8" LG.	304	5199000		.032"
13	1	BAR, RND 1-3/4" DD X 3" LG.	304	5199000		.25"
12	1	PLATE, 3/16" THK. X 1" X 3-1/8" LG.	SA-240 316L	6520276		.0333
11	1	PLATE, 3/16" THK. X 2-1/2" X 1-3/4" LG.	SA-240 304	6520276		.0062
10	1	PIPE, 1" SCH. 40 X 5-7/8" LG.	SA-312 316L	6780000		.490
9	1	FLANGE, 1" R.F.S.D.-150# ANSI	SA-182 316L	0120528		.1
8	1	PLATE, 3/4" THK. X 4-3/4" X 60-1/2" LG.	SA-240 316L	6520294		.0333
7	2	PLATE, 3/8" THK. X 1-1/2" X 1-3/4" LG.	SA-240 304	6520276		.0066
6	1	RING, 2-1/4" OD X 19-3/8" ID X 1" THK.	SA-516 70 C.S.	9127182		.1
5	1	RING, 14-7/8" ID X 12-7/8" ID X 1-1/4" THK.	SA-240 316L	9122143		.1
4	6	EYEBOLT, WOODRUFF 5/8"-NC X 5-1/2" LG. (SEE SKETCH)	SA-193 BB 304	9125885		.005
3	1	PLATE, 3/16" THK. X 2-3/4" X 39-7/16" LG.	SA-240 316L	6520276		.053
2	1	PLATE, 3/16" THK. X 21-1/4" X 54-9/8" LG.	SA-240 316L	6520276		.105
1	1	PLATE, 3/16" THK. X 40-7/8" X 58-11/16" LG.	SA-240 316L	6520276		.105

BILL OF MATERIAL P/N 3600448

REV.	DESCRIPTION	DATE	BY	CHECKED	APPROVED
A	CUST. CHANGE, NOTE 1 CHANGED TO PROJECT OF 95°	7-5-90	G.M.	Rom	

GASTON COUNTY FABRICATION
A DIVISION OF GASTON COUNTY DYING MACHINE COMPANY
STANLEY, NORTH CAROLINA 28153-4760

SHT. 11 OF 13

This shop drawing is the property of Gaston County Dyeing Machine Company and is not to be reused without written permission.

CUSTOMER: ROSENTHAL INC., CHARLOTTE, N.C.

TITLE: DISCHARGE CHUTE ASS'Y, 12" OUTLET, ROSENTHAL, 316L

CUSTOMER P.O. NO.: 60001197
CUSTOMER ITEM NO.: S.C. No.

DRAWN BY: BRADY
DATE: 7/3/90

SHOP ORDER NO.: 7-80744N
MATERIAL REQUIRED: ONE
SHEET 2 OF 13

NOTED: No. E-3600448

CERTIFIED PRINT
Stanley, N.C.

CAD REFERENCE NO.
RD00088A