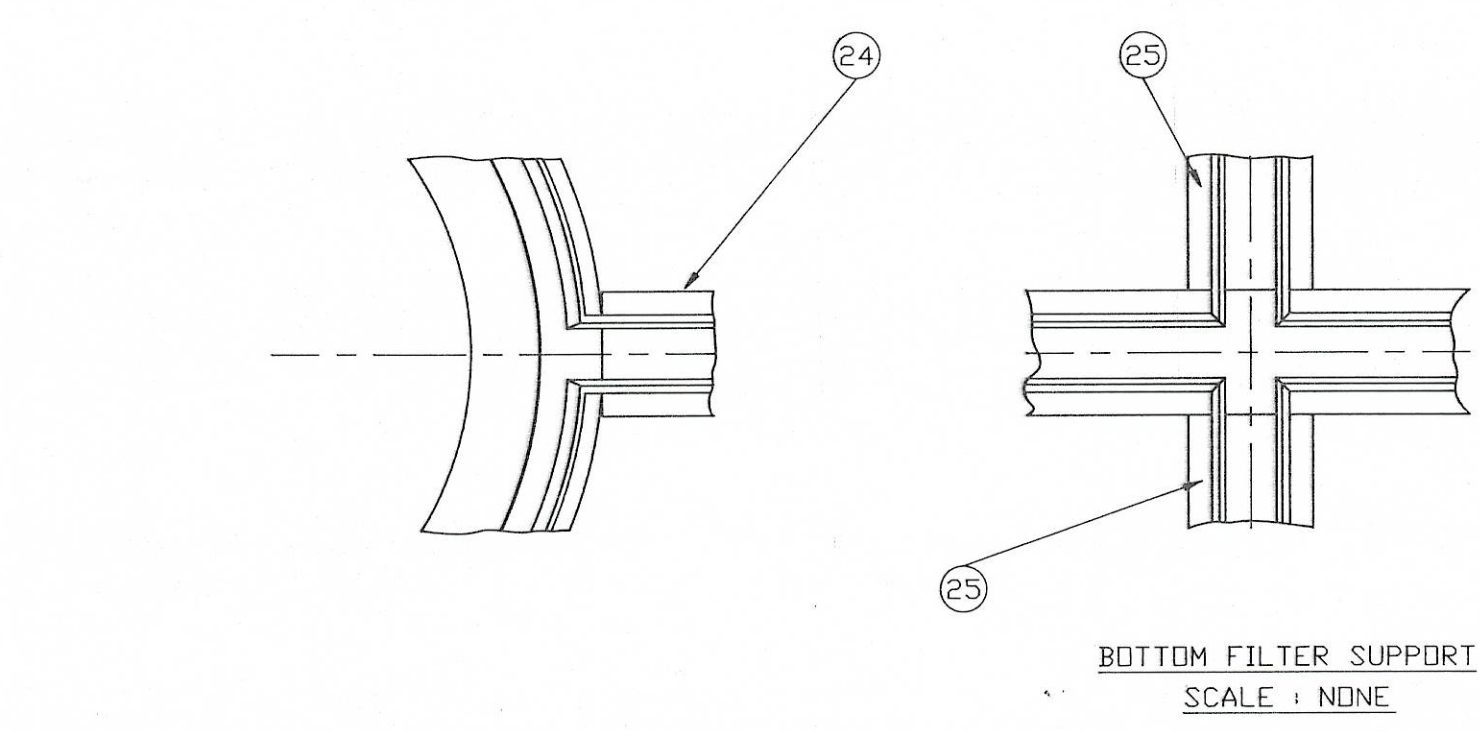
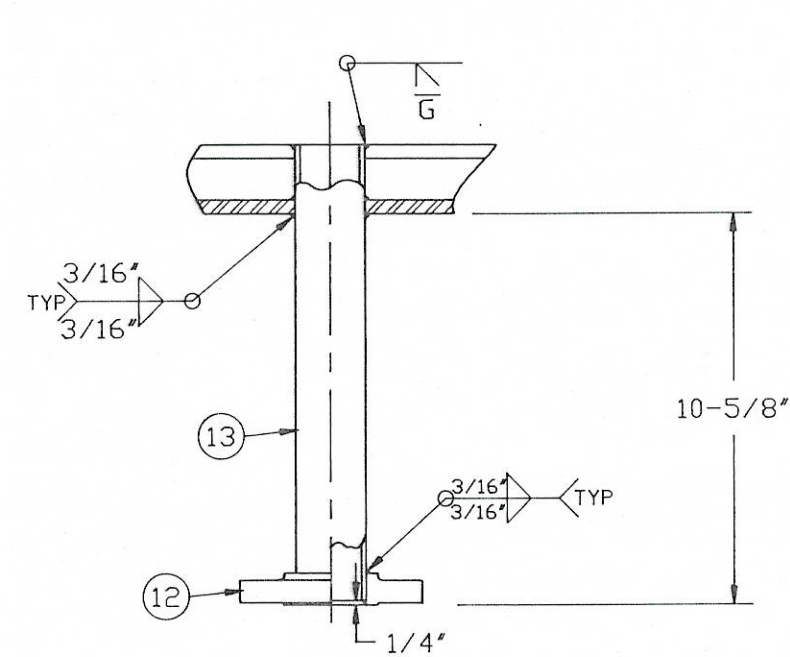


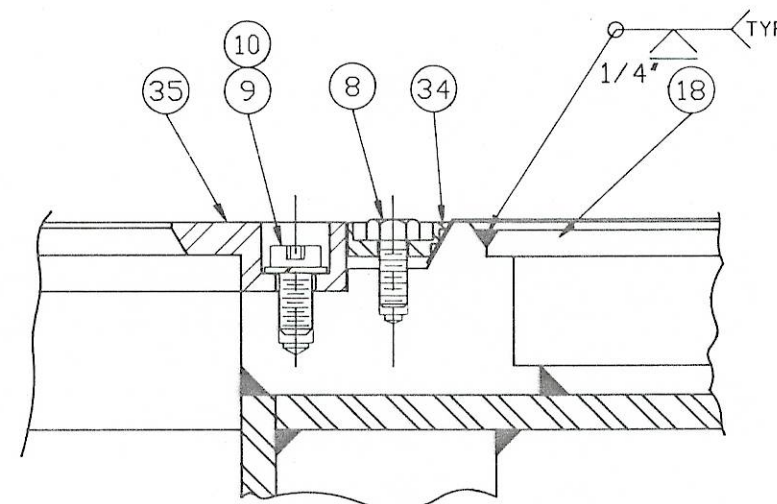
FILTER PLATE LOCATIONS
SCALE: 1-1/2"=1"



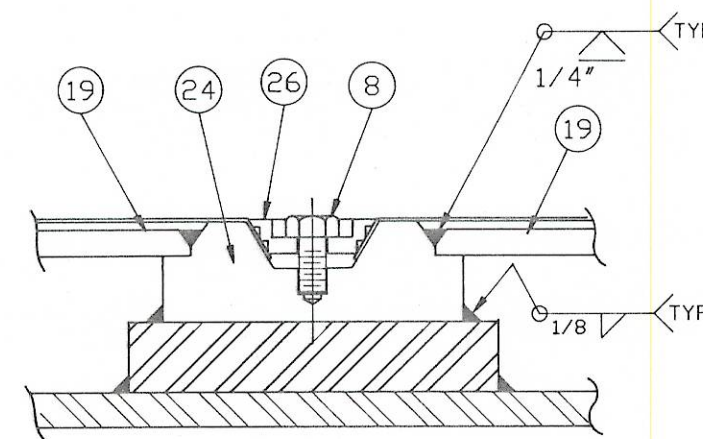
BOTTOM FILTER SUPPORT
SCALE: NONE



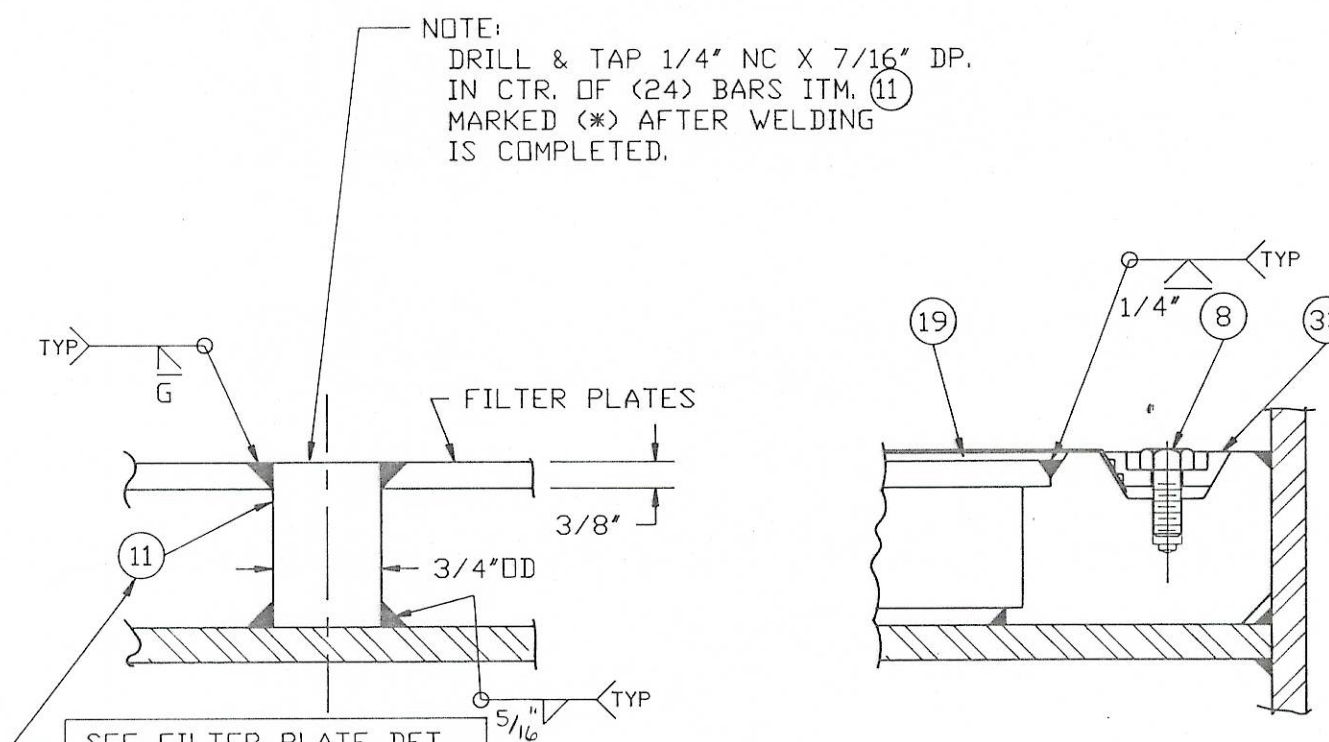
FILTRATE OUTLET (U1) THRU (U8) DET.
SCALE: NONE



SECTION "A-A"
SCALE: NONE



SECTION "B-B"
SCALE: NONE



SECTION "C-C"
SCALE: NONE

DETAIL "D-D"
SCALE: NONE
STAY BAR DETAIL

8. (FINISHED HEAD W/NO WASHER FACE)

QTY.	DESCRIPTION	MATERIAL	G.C. PART NO.	DRAWING NO.	QTY./PER.
60					
59					
58					
57					
56					
55					
54					
53					
52					
51					
50					
49					
48					
47					
46					
45					
44					
43					
42					
41					
40					
39					
38					
37					
36					
35	1	INNER RING	316L	E-3600445	
34	1	INNER TIGHTENING RING	316L	E-3600445	
33	1	OUTER TIGHTENING RING	316L	E-3600445	
32		FILTER PLATE RINGS-PN-3600445			
31					
30					
29					
28					
27	4	END FILTER SCREEN CLAMP	316L	E-3600444	
26	4	CENTER FILTER SCREEN CLAMP	316L	E-3600444	
25	4	END FILTER SUPPORT BAR	316L	E-3600444	
24	4	CENTER FILTER SUPPORT BAR	316L	E-3600444	
23		SUPPORT & CLAMP BARS-PN-3600444			
22					
21					
20					
19	4	END FILTER PLATE	316L	E-3600443	
18	4	MIDDLE FILTER PLATE	316L	E-3600443	
17		FILTER PLATES-PN-3600443			
16		(ITEMS ABOVE FOR DRAWING REF. ONLY)			
15					
14					
13	8	PIPE, 1-1/2" SCH 40 X 12-1/2" LG.	SA-312 316L 6782000		215'
12	8	FLANGE, R.F.S.D. 1-1/2" 150# ANSI	SA-182 316L 0120530		8
11	1	BAR, RND. 3/4" DBL.	SA-479 316L 9102294		16'
10	12	WASHER, LOCK-3/8"	316 6656904		12
9	12	SCREW, CAP SKT. HD-3/8"NC X 3/4"LG.	MINEL 400 9125081		12
8	156	BOLT, HEX HD. 5/16"NC X 5/8" LG. 8.8	MINEL 400 9125080		156
7					
6					
5					
4					
3		FILTER PLATE RINGS-PN-3600445			
2		SUPPORT & CLAMP BARS-PN-3600444			
1		FILTER PLATES-PN-3600443			

REV.	DESCRIPTION	DATE	BY	CHECKED	APPROVED
A	CHG D PICTURE TO REFLECT CHG TO FILTER PLATES, QTY PER ITEM #11 WAS 10	7/19/90	G.M.		

GASTON COUNTY FABRICATION
A DIVISION OF GASTON COUNTY DYING MACHINE COMPANY
STANLEY, NORTH CAROLINA 28153-5765

CUSTOMER: ROSENMUND INC. CHARLOTTE, N.C. **C-870**
TITLE: FILTER PLATE ASS'Y, SEG. STD, 6m2
RADSENMUND

CUSTOMER P.O. NO. _____ CUSTOMER ITEM NO. _____
DRAWN BY: _____ DATE: 7-28-90 CHECKED BY: _____ DATE: _____
SHOP ORDER NO. _____ NO. REQUIRED: _____ SHEET OF: 1
SCALE: 1-1/2"=1' No. E-3600442 REV. A

CERTIFIED PRINT
Sean Robinson 7/16
Outgoing Order No. _____
Shop Order No. _____
GASTON COUNTY DYING MACHINE CO.
Stanley, N.C.

CAD REFERENCE NO.
RD00084A