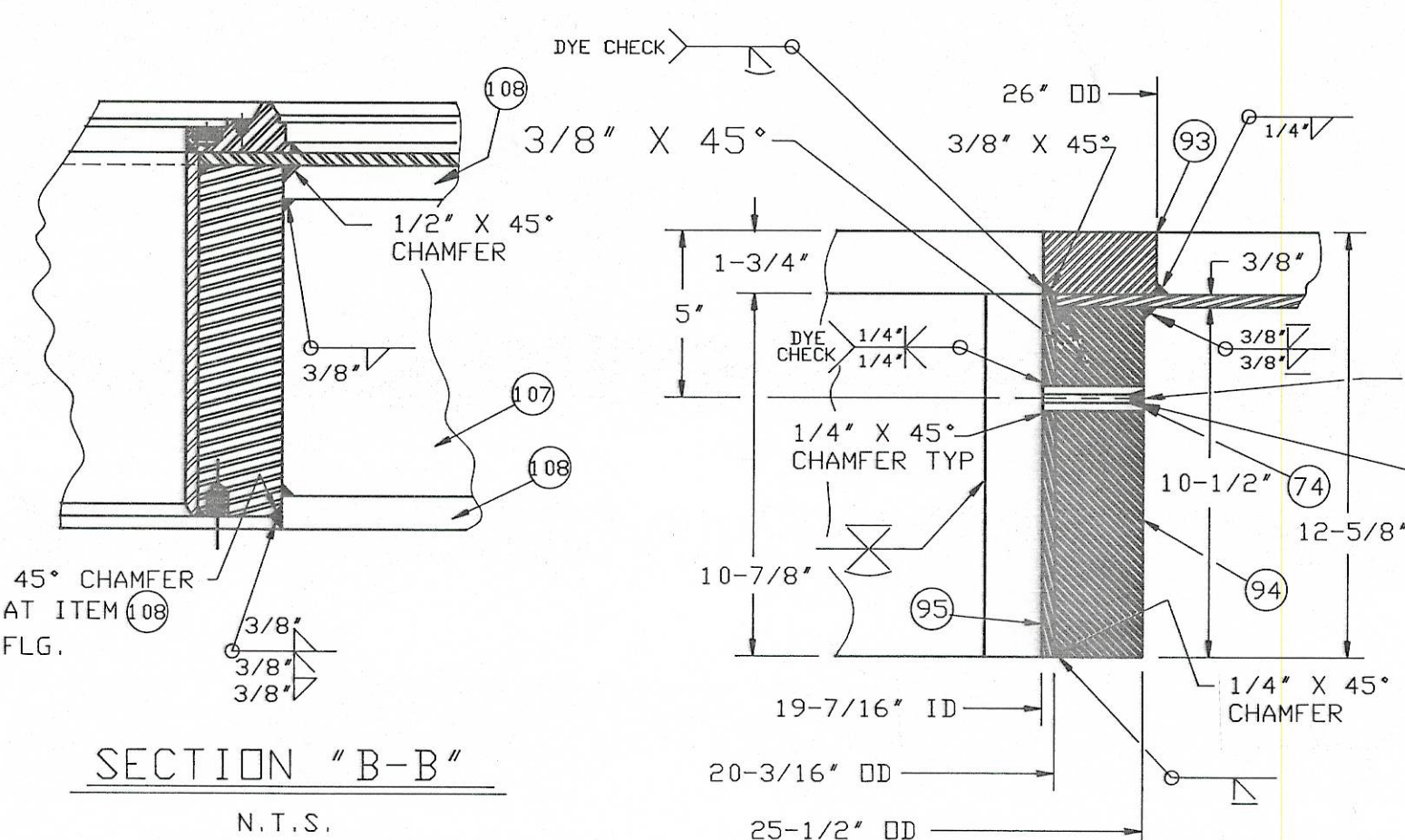
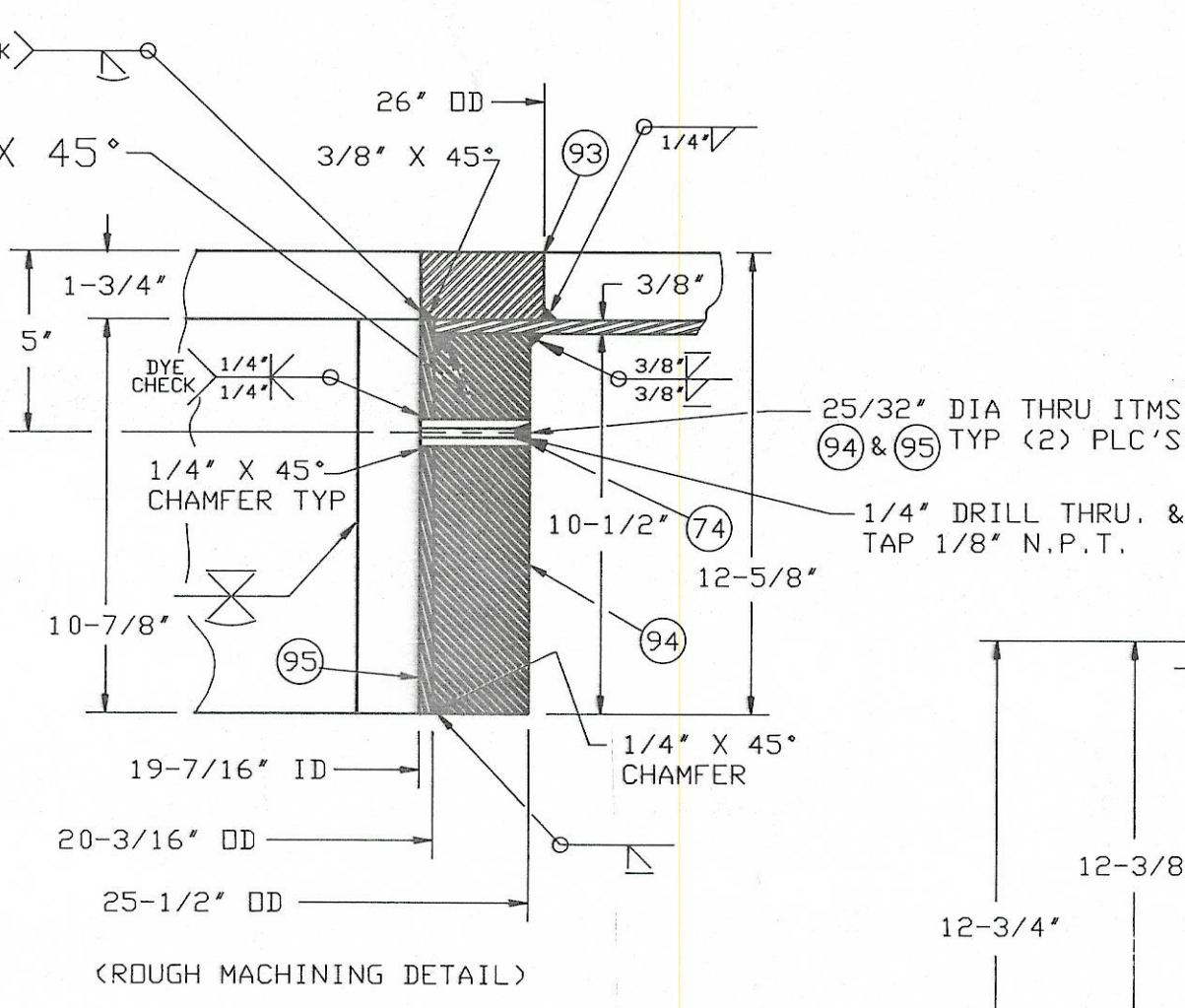


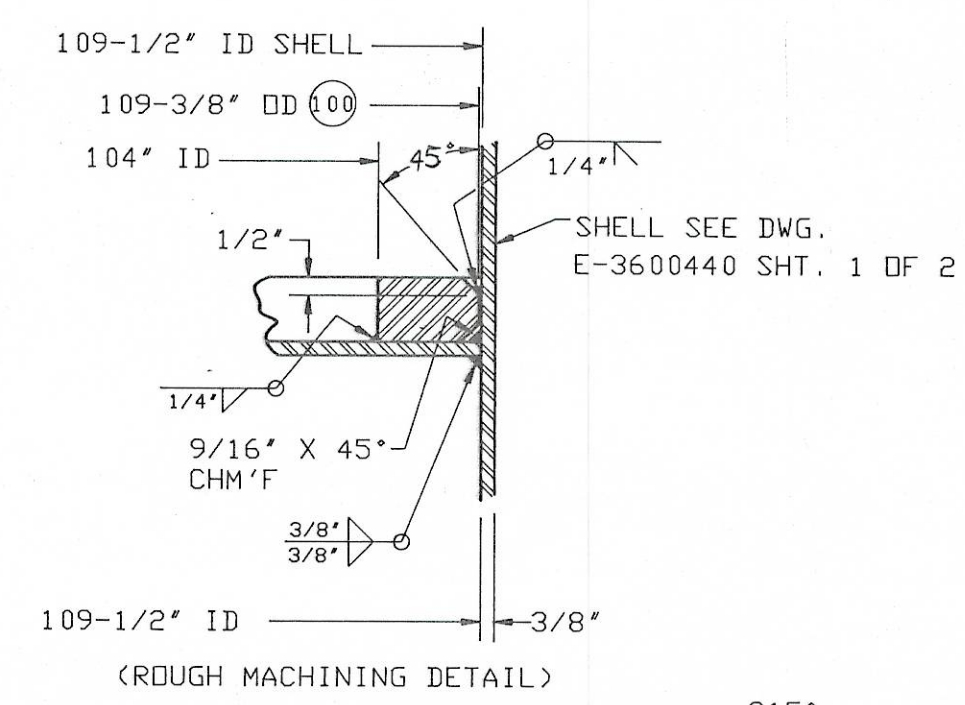
CENTER BEAM DETAIL
N.T.S.



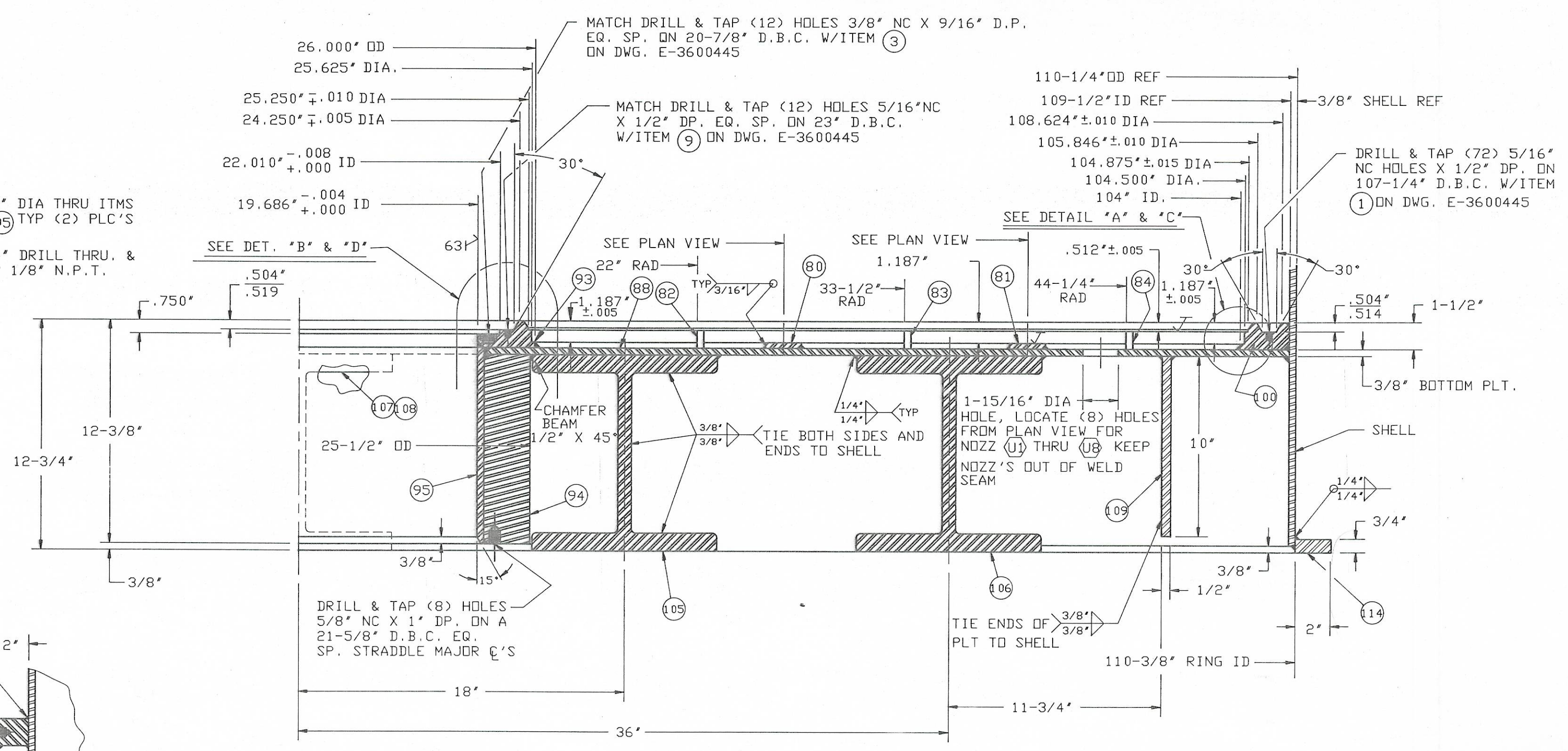
SECTION "B-B"
N.T.S.



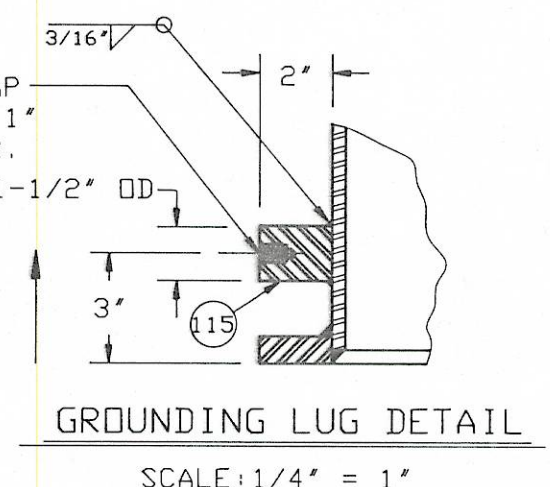
DETAIL "B"
SCALE: 3/8" = 1"



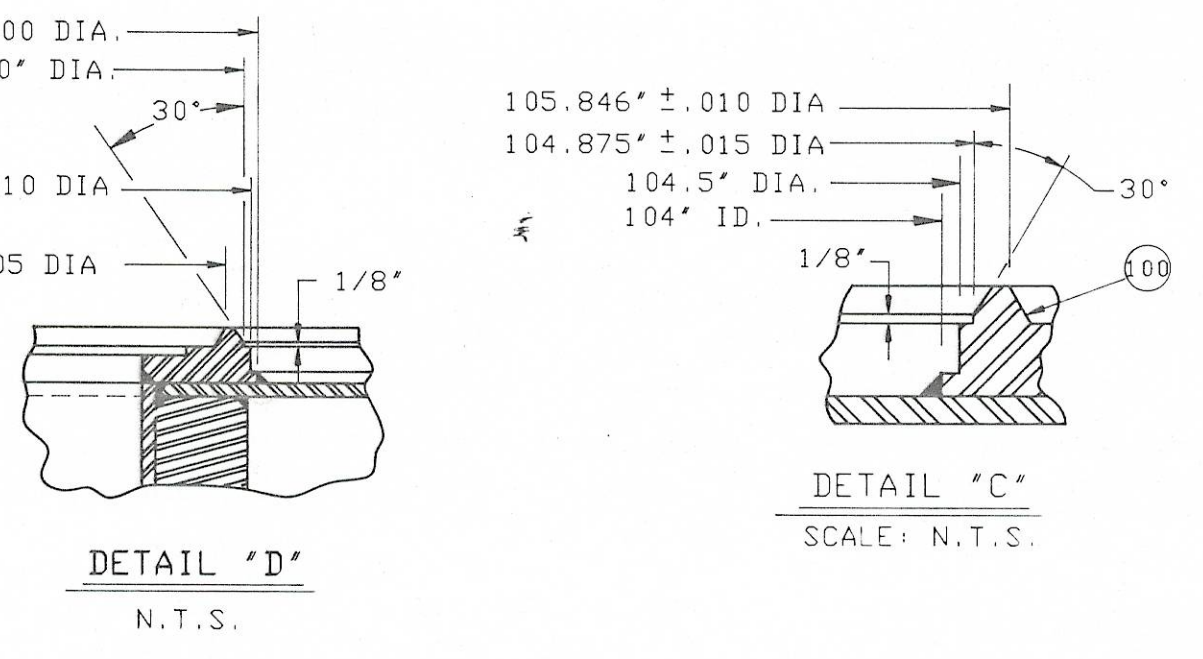
DETAIL "A"
N.T.S.



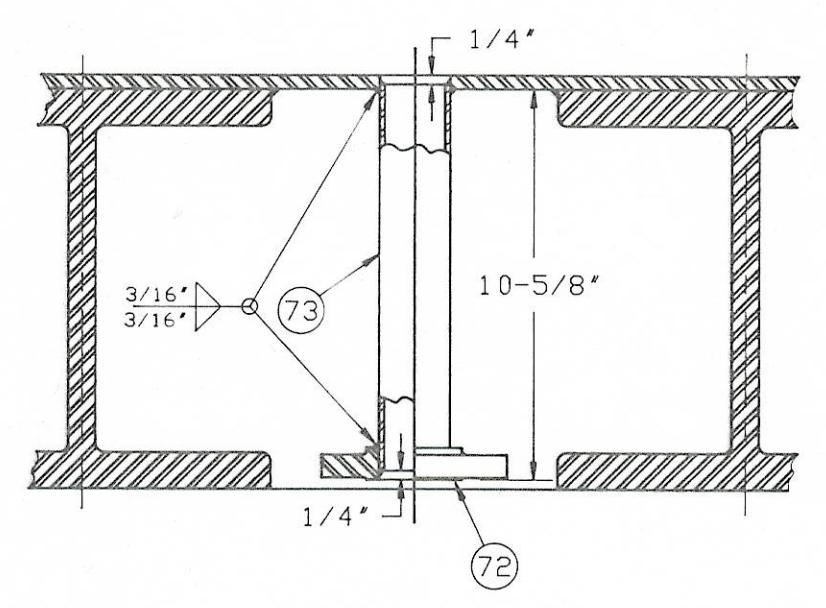
BED SECTION DETAIL "A-A"
SCALE: 1/4" = 1"



GROUNDING LUG DETAIL
SCALE: 1/4" = 1"

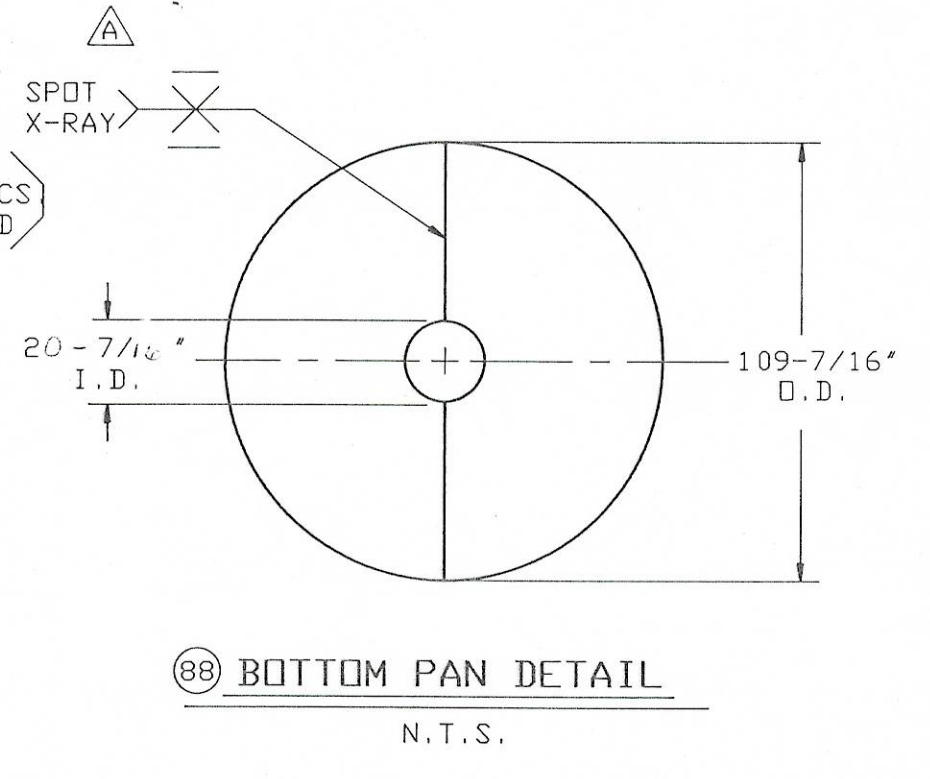


DETAIL "C"
SCALE: N.T.S.

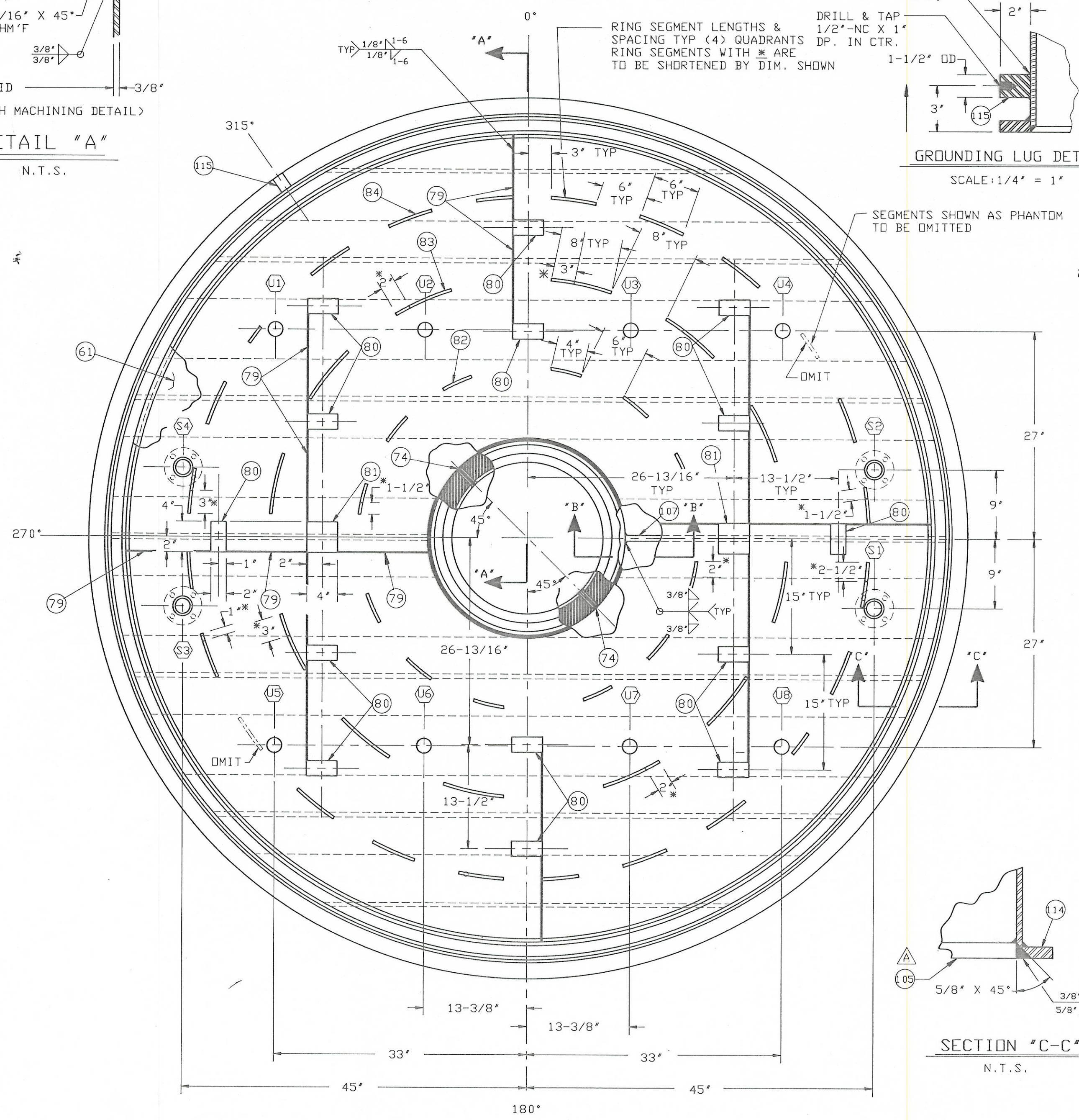


DETAIL "D"
N.T.S.

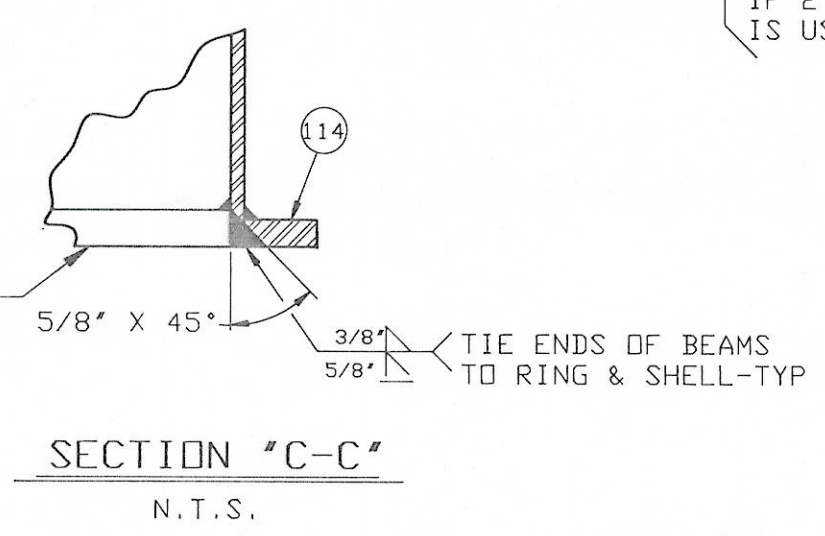
NOZZLE SCHEDULE
SCALE: 1/4" = 1"



NOZZLE SCHEDULE
N.T.S.



PLAN VIEW
SCALE: 1/8" = 1"



SECTION "C-C"
N.T.S.

(*) 100. (4) PIECE CONSTRUCTION MTR. REQ'D

ITEM NO.	DESCRIPTION	QTY.	UNIT	SA-479	SA-479	SA-479	SA-479	SA-479
115	1 BAR, RND 1-1/2" OD X 2' LG	1	SA-479	304	5117000			.167
114	1 BAR, FLAT 3/4" THK X 24" X 20" S-1/16" LG	1	SA-479	304	5042000			29.422
112	PREP PARTS - P.N. 9126137							
111								
109	2 PLATE, 1/2" THK X 10" X 53-1/2" LG. (NORMALIZED)	2	SA-516	70	C.S.	9127176		2
108	4 PLATE, 1" THK X 10-1/4" X 43" LG. (NORMALIZED)	4	SA-516	70	C.S.	9129414		4
107	2 PLATE, 3/4" THK X 8-7/8" X 43" LG. (NORMALIZED)	2	SA-516	70	C.S.	9123384		2
106	2 BEAM, 10" WF 88 W/F X 90-3/8" LG.	2	SA-36	C.S.	9129417			2
105	2 BEAM, 10" WF 88 W/F X 106-3/8" LG.	2	SA-36	C.S.	9129416			2
104	SUPPORT BEAMS - P.N. 9126136							
102								
101								
100	1 RING, 109-3/8" ID X 104" O.D. X 1-3/4" THK. (*)	1	SA-240	316L	9123689			1
99	OUTER SUPPORT RING - P.N. 9126135							
97								
96								
95	1 PLATE, 3/8" THK X 10-7/8" X 62-1/4" LG.	1	SA-240	316L	6520282			.0300
94	1 RING, 85-1/2" ID X 20-3/16" THK X 18-1/2" THK	1	SA-308	CL1	C.S.	9123384		1
93	1 RING, 26" ID X 19-1/2" THK X 1-3/4" THK	1	SA-240	316L	9123688			1
92	CENTER HUB - P.N. 9126134							
91								
89								
88	1 DISC., 109-7/16" O.D. X 3/8" THK.	1	SA-240	316L	9122140			1
87	FLAT HEAD - P.N. 9126133							
86								
85								
84	1 BAR, FLAT 3/8" THK X 1-1/2" X 23" 4-13/16" LG	1	SA-479	304	5019000			.24
83	1 BAR, FLAT 3/8" THK X 1-1/2" X 17" 7-11/16" LG	1	SA-479	304	5019000			.18
82	1 BAR, FLAT 3/8" THK X 1-1/2" X 11" 7-7/16" LG	1	SA-479	304	5019000			.15
81	2 PLATE, 1/2" THK X 4" X 4" LG.	2	SA-240	304	6555038			.084
80	14 PLATE, 1/2" THK X 2" X 4" LG.	14	SA-240	304	6555038			.014
79	1 SHEET, 11 GA. X 15-1/4" X 192" LG. APPROX.	1	SA-240	316L	6520272			.040
78	BAFFLES & BLOCKS - P.N. 9126132							
77								
76								
75								
74	2 BAR, RND. 3/4" DIA. X 3" LG.	2	SA-479	316L	9102294			.5
73	4 PIPE, 1-1/2" SCH 40 X 18-1/2" LG.	4	SA-312	304	5230000			4
72	4 FLANGER, R.F.S.D. 1-1/2" 150# ANSI	4	SA-182	304	0100505			4
71								
70								
69								
68								
67	1 DISCHARGE CHUTE P/N 3600448	1			3600448		B-3600448	1
66	PREP PARTS - P.N. 9126137							
65	SUPPORT BEAMS - P.N. 9126136							
64	OUTER SUPPORT RING - P.N. 9126135							
63	CENTER HUB - P.N. 9126134							
62	FLAT HEAD - P.N. 9126133							
61	BAFFLES & BLOCKS - P.N. 9126132							
60	QTY.							

BILL OF MATERIAL P/N 3600440

REV.	DESCRIPTION	DATE	BY	CHECKED	APPROVED
G					
F					
E					
D					
C	20 1/2 DIM WAS 27 3/8	8/2/90	G.M.	P.M.	
B	P/N ITEM 100 WAS 9126132	8-1-90	G.M.	LDL	
A	CUSTOMER ORDER 100 AS PER 100 - 1000000000	7-24-90	W.B.		

CUSTOMER ROSENMUND INC. CHARLOTTE, N.C.
FOR SANDZ
TITLE: BASE ASSY., SIMPLE HEATED F.F., 60"
CUSTOMER P.D. NO. 0001197 CUSTOMER ITEM NO. SC-170
DRAWN BY G.M. DATE 8-1-90 CHECKED BY P.M. DATE 8-1-90
SHOP ORDER NO. F-80744 NO. REQUIRED 1 SHEET 2
SCALE 1-1/2"=12" No. E-3600440

CAD REFERENCE NO.
RD00078A

ASME CODE
DYE CHECK
7-22-90

ASME CODE	REVIEWED	DATE	APPROVED	DATE		
U1-U8	8	1-1/2"	150#	RFSO	40	FILTRATE OUTLET
S1-S4	4	1-1/2"	150#	RFSO	40	STEAM INLET & OUTLET
NO.	QTY.	SIZE	RATING	TYPE	SCH.	SERVICE/DESCRIPTION

NOZZLE SCHEDULE