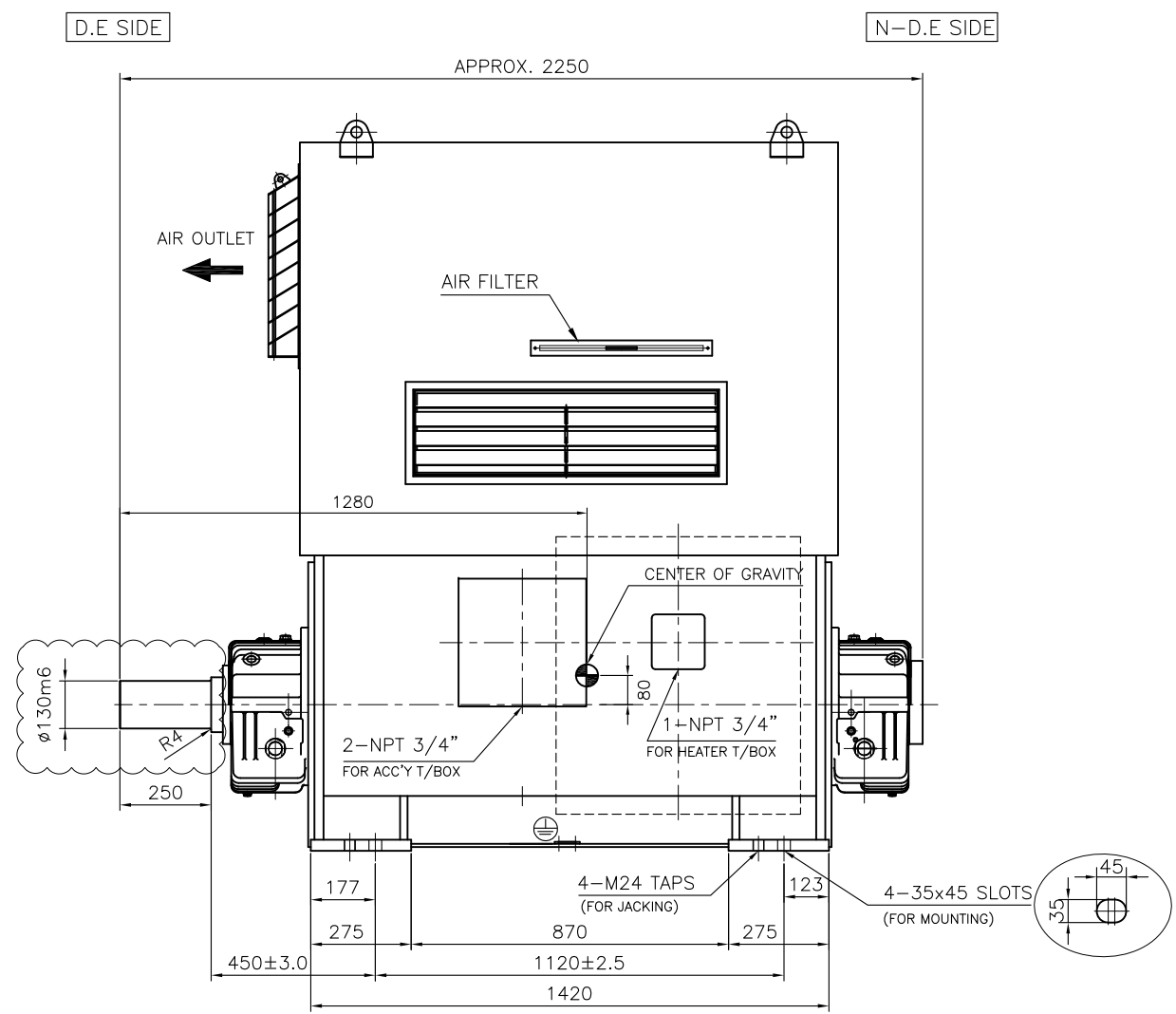
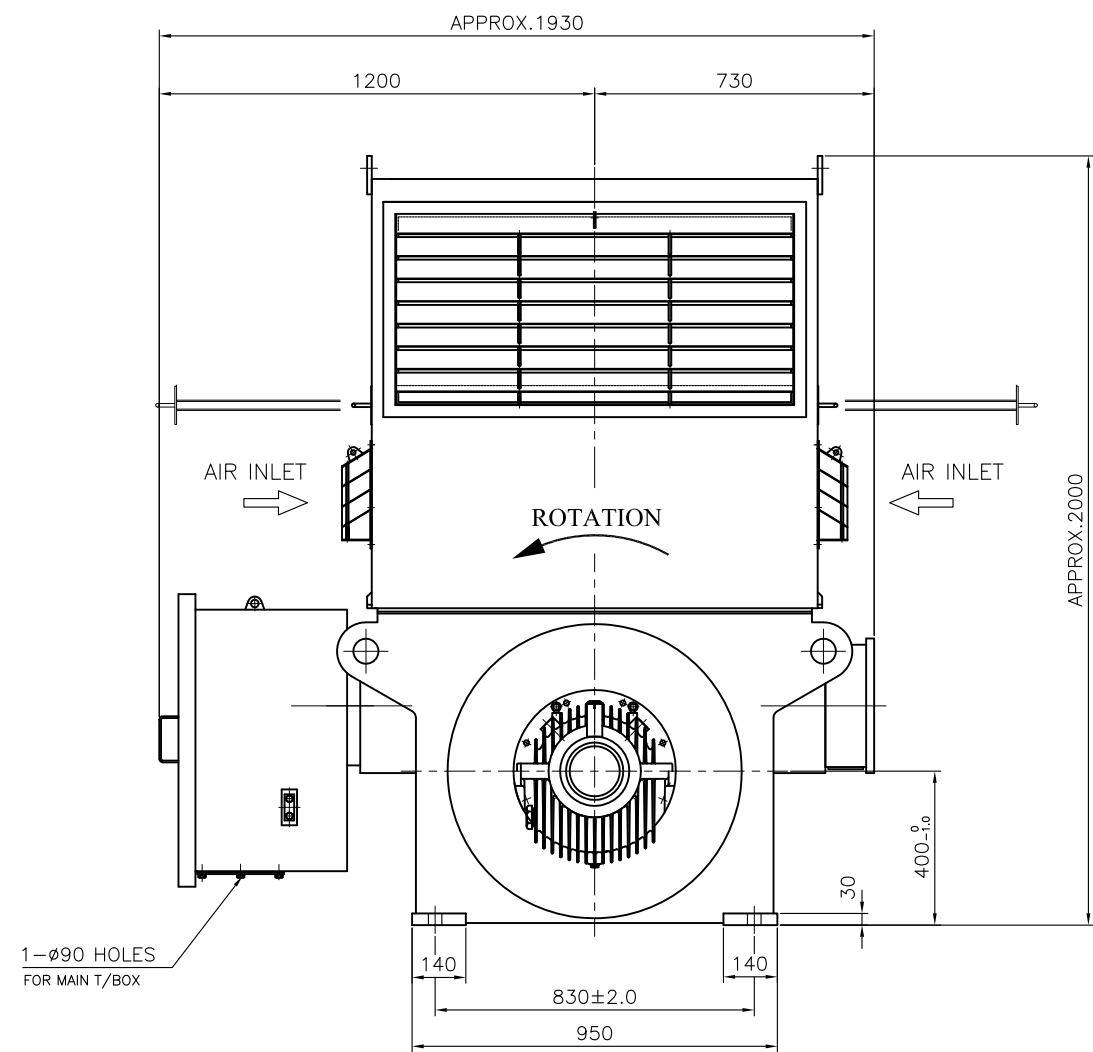
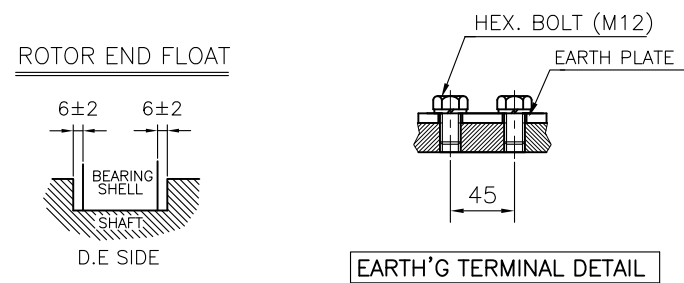


HYUNDAI HEAVY INDUSTRIES CO., LTD.
 THIS DRAWING IS PROPRIETARY TO HHI. NO PART OF THIS DRAWING MAY BE REPRODUCED WITHOUT THE PERMISSION OF HHI.
 이 도면은 현대중공업(주)의 재산이며 무단으로 복제 또는 배포할 수 없습니다. (사전허가)



THREE PHASE INDUCTION SQUIRREL CAGE MOTOR: IC01

TYPE	OUTPUT	POLES	VOLTAGE	FREQ.	PROT.	INSUL. CLASS	MOUNTING	BEARING		TOTAL WEIGHT	MAX. FOUND. LOAD BY 2PHASE SHORT CIRCUIT TORQUE	
								DE SIDE	N-DE SIDE		DOWN	UP
HNP3403-88E	850 HP	8 P	4160 V	60 Hz	IP23W	F	B3	SLEEVE	SLEEVE	4000 kg	88 kN	49 kN



TECHNICAL INFORMATION

1) BEARING

BEARING	Drive End	Non-Drive End
Bearing Type	SLEEVE	SLEEVE
Oil Quantity	2.2 Liter	1.7 Liter
Oil Viscosity Class	ISO VG 46	

2) CONTROL SETTING(Included Ambient Temp.):

	Winding(W.T.D)	Bearing(B.T.D)
Alarm	130 °C	95 °C
Trip	135 °C	100 °C

3) WINDING TEMPERATURE DETECTOR

A) Number and Type : 1EA/Phase, Pt 100 ohm at 0°C, Dual

4) BEARING TEMPERATURE DETECTOR

A) Number and Type : 1EA/Bearing, Pt 100 ohm at 0°C ,Single

5) SPACE HEATER : 1 PHASE, 120 V, 200 W

NOTE

- THIS MOTOR IS DESIGNED TO BE OPERATED IN ARROW DIRECTION.
- THE BOTH SIDES ARE INSULATED (DE SIDE BEARING IS SHORT-CIRCUITED WITH A EARTHING LUG) TO PREVENT BEARING DAMAGE FROM SHAFT CURRENT.
- THIS MOTOR CANNOT WITHSTAND AXIAL THRUST LOAD COMING FROM THE DRIVE END SIDE.

REV	DATE	CONTENTS	REV'D BY	CHK'D BY	APP'D BY
1	2015.02.24	REVISION OF MARK	H.K.LEE	Y.G.KWON	H.C.KIM
2	2014.12.04	REVISION OF MARK	H.K.LEE	Y.G.KWON	H.C.KIM

Q'TY	DESCRIPTION	MATERIAL	DIMENSION	WEIGHT	PART NO.	REMARK	NO.
APPD BY	Y.S.JOO	UNIT	mm	SUBJECT	DWG SIZE AT (1:10)		
CHKD BY	Y.G.KWON	SCALE	1/10	TITLE	OUTLINE DIMENSION		
CHKD BY		PROJEC'N	3rd (3rd Angle)	REF. NO	Sheet No.	of	
DSND BY	H.K.LEE	DATE	2014-11-03	DWG NO	HM-092959	Revision No. 2	