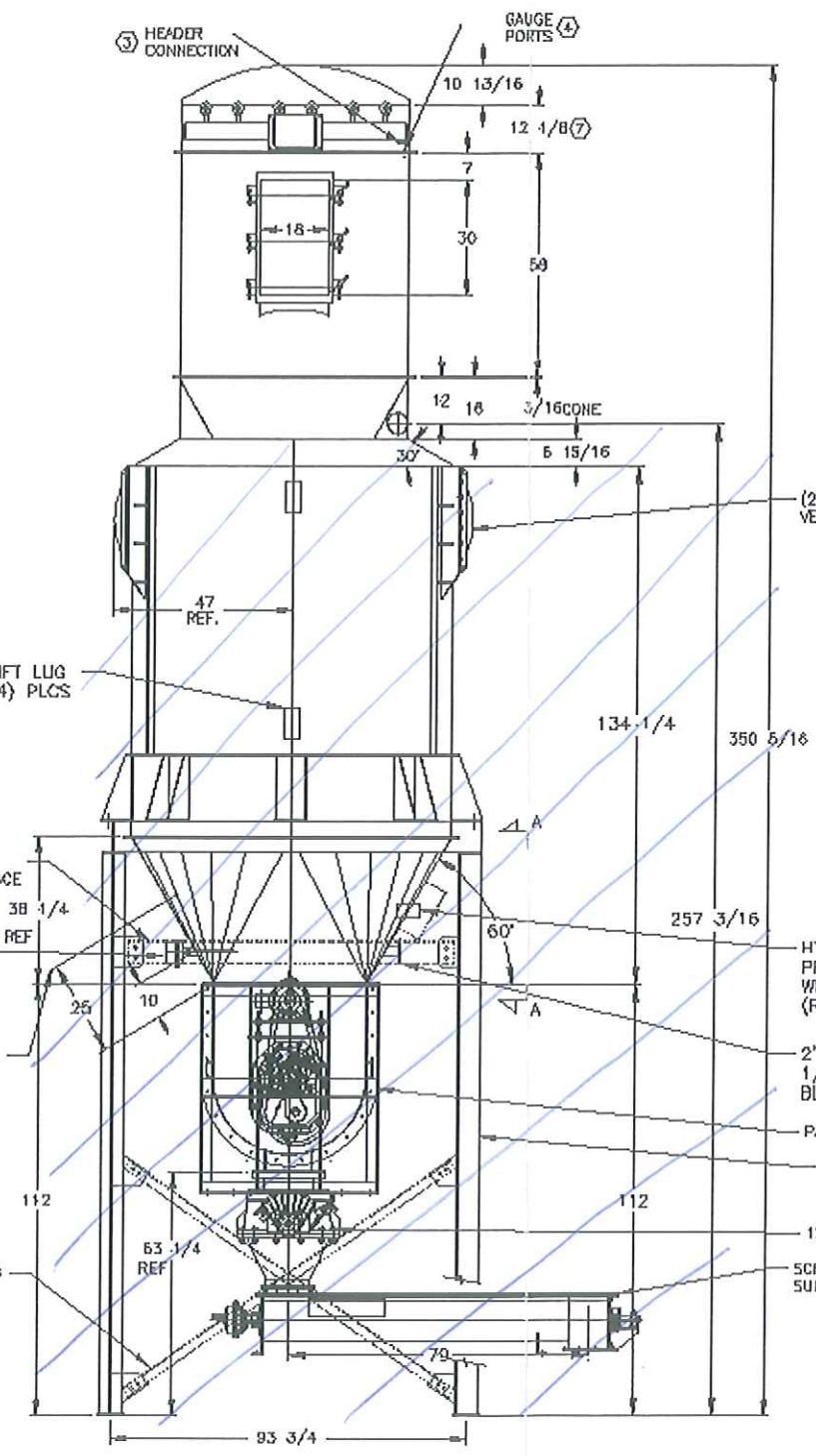
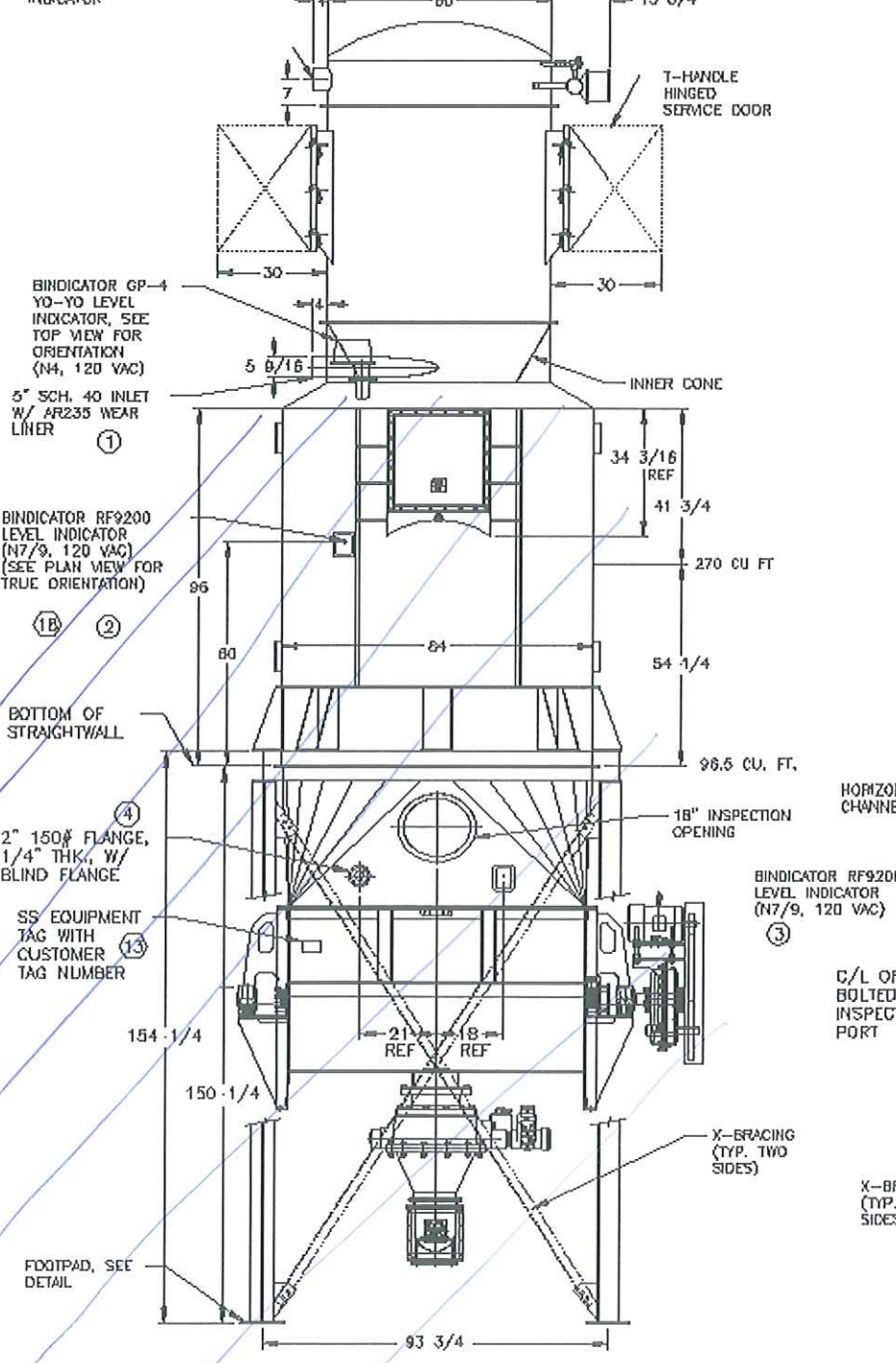
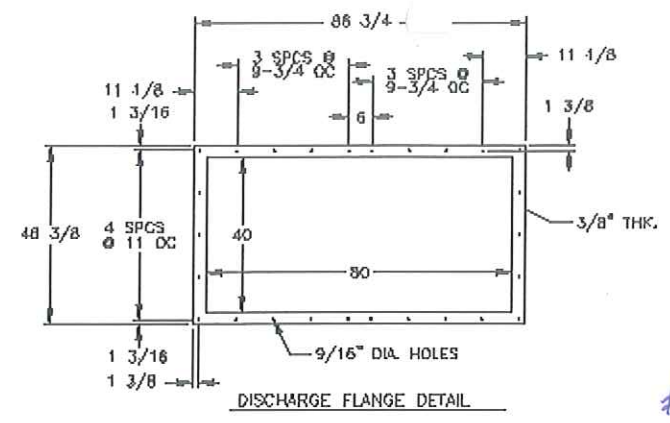
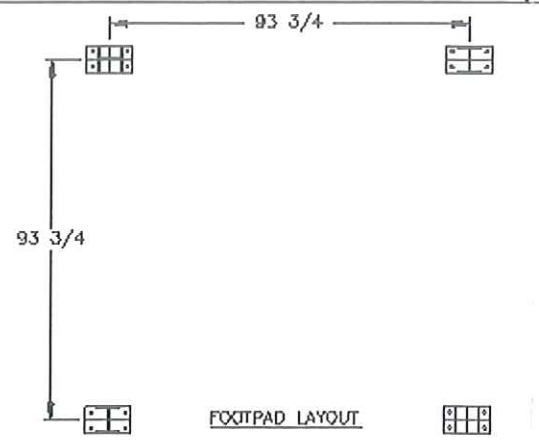
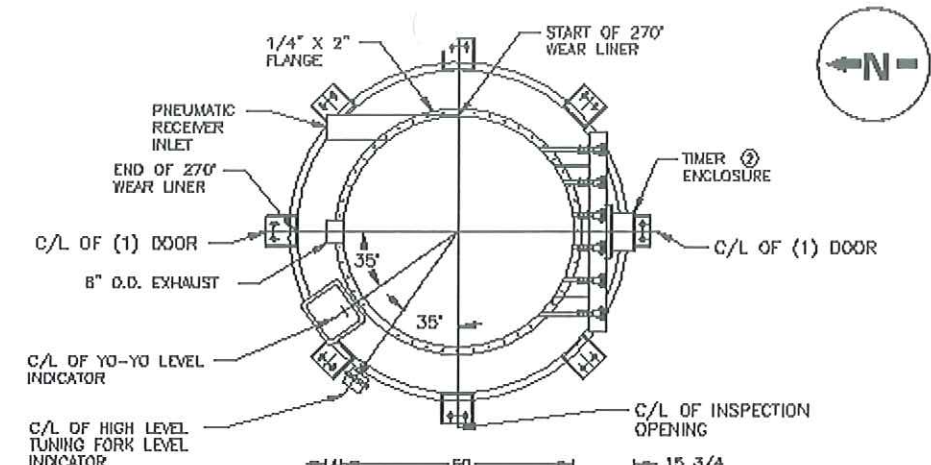


REVISIONS			
LTR.	DESCR.	DATE	BY
D	REVISED	08/12/09	DAS
RELEASED FOR CUST INFO			

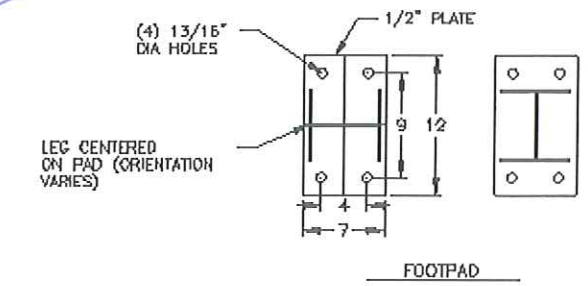
NOZZLE SCHEDULE	
1	3" 150# FLANGE PATTERN 1/4" THK
2	3/4" NPT HALF COUPLING
3	3/4" NPT HALF COUPLING
4	2" 150# FLANGE PATTERN 1/4" THK
5	2" 150# FLANGE PATTERN 1/4" THK



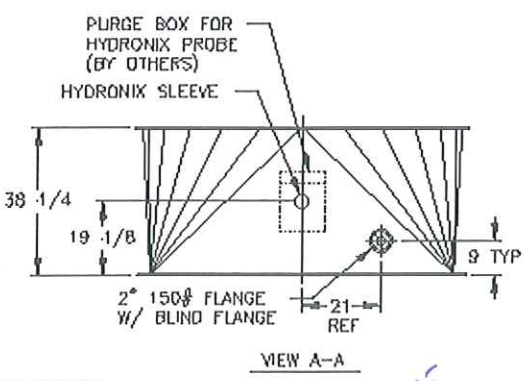
MODEL: 54AVR32 STYLE II FILTER  
S/N: 144056-004-1  
MFG: MAC EQUIPMENT  
MATL OF CONST: CARBON STEEL  
MAWP: 6.5 PSIG  
MAEWP: 17" HG  
MAX. TEMP.: 150° F  
EQUIPMENT TAG: F1001-1 COB HOPPER BAG FILTER

MODEL: 7 X-B SURGE HOPPER  
S/N: 144056-007-1  
MFG: MAC EQUIPMENT  
MATL OF CONST: CARBON STEEL SIDEWALL STAINLESS STEEL HOPPER  
MAWP: 6.5 PSIG  
MAEWP: 17" HG  
MAX. TEMP.: 150° F  
EQUIPMENT TAG: V1001 COB HOPPER

#109046



- NOTES:
- ALL DIMENSIONS ARE IN INCHES.
  - NEMA 4 TIMER ENCLOSURE. TIMER CONTROL PANEL REQUIRES 24 VDC.
  - 3/4" NPT FOR HEADER SUPPLY AIR. 90-100 PSI OF CLEAN, DRY AIR REQUIRED AT 6.5 SOFM.
  - (2) 3/4" NPT CONNECTIONS MUST HAVE PIPE PLUGS IF DIFFERENTIAL PRESSURE GAUGE IS NOT USED.
  - FILTER & WORKBIN (EXCEPT HOPPER) IS CONSTRUCTED OF A1011 CARBON STEEL AND HOPPER IS 304 STAINLESS STEEL AND HAS A MAXIMUM ALLOWABLE WORKING PRESSURE 17" Hg VACUUM AND 6.5 PSI PRESSURE (MAXIMUM ALLOWABLE PRESSURE OF 17" Hg & 8.5 PSIG).
  - LIFTING LUGS PROVIDED BUT NOT SHOWN.
  - DIMENSION INCLUDES TUBESHEET THICKNESS.
  - FILTER INCLUDES (32) 16 OZ. SINGED POLYESTER DACRON BAGS AND GALVANIZED CAGES PROVIDING 214 SQ. FT. OF CLOTH.
  - HOPPER INCLUDES (2) 24" X 24" RUPTURE STYLE EXPLOSION VENTS BASED ON A K<sub>st</sub> OF 200 bar-m/sec AND A P<sub>max</sub> OF 0.5 bar FOR CORN COB DUST. VENT IS SIZED TO VENT INTO OPEN ATMOSPHERE WITH NO DUCT WORK.
  - APPROX. EMPTY WEIGHT:  
- FILTER: 2300 LBS  
- SURGE HOPPER: 1800 LBS  
- STRUCTURE: 1000 LBS  
- AGITATOR: 3800 LBS  
- SPHERI VALVE: 1000 LBS  
- TOTAL EMPTY WEIGHT: 9,700 LBS  
- TOTAL WEIGHT WITH PRODUCT AT NORMAL CONDITIONS (270 CU. FT. @ 18 LBS/CU. FT.): 14600 LBS  
- TOTAL WEIGHT AT UPSET CONDITION (420 CU. FT. @ 18 LBS/CU. FT.): 17300 LBS
  - HOPPER INTERIOR WELDS ARE CONTINUOUS, GROUND SMOOTH, FREE OF CRACKS AND CREVICES TO A CG100 GRIT FINISH. ALL OTHER INTERIOR WELDS ARE SKIP WELDED.
  - SERIAL NO. - FILTER: 144056-004-1  
- HOPPER: 144056-007-1
  - TAG NO. - FILTER: F1001-1 COB HOPPER BAG FILTER  
- HOPPER: V1001 COB HOPPER  
- RABBLE AGITATOR: R1001
  - PRODUCT LEVEL TO STAY BELOW EXPLOSION VENT HOUSING.
  - STRUCTURE USED A325 HARDWARE AND FILTER/WORKBIN USES ZINC PLATED GRADE 2 HARDWARE.
  - GASKET MATERIAL IS SILICONE CAULKING.
  - FILTER AND WORKBIN ARE RATED FOR 150° F MAXIMUM TEMPERATURE.
  - ALL EQUIPMENT BELOW EXPLOSION VENTS (INSIDE CUSTOMER'S BUILDING) MEETS CLASS I, DIVISION II, GROUP D AND CLASS II, DIVISION II, GROUP G.



\* REFERENCE ONLY FOR DUST COLLECTOR

EXPLOSION VENT APPLICATION  
Vent sizing and location are per the NFPA 68 Standard (2007 edition) as interpreted by MAC Equipment. The critical values of K<sub>st</sub> and P<sub>max</sub> specific to the dust in question have been provided by the user/operator for the purpose of NFPA vent sizing calculations.

MAC EQUIPMENT  
54AVR32 STYLE II FILTER W/ SURGE HOPPER FOR DUPONT DANISCO  
DAS 06/23/09  
1/24"=1  
144056  
DM101837  
REC D  
8-28-2009 10:30:05

#109046