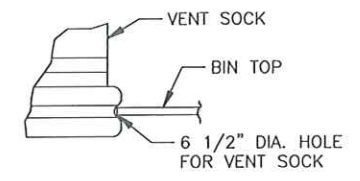
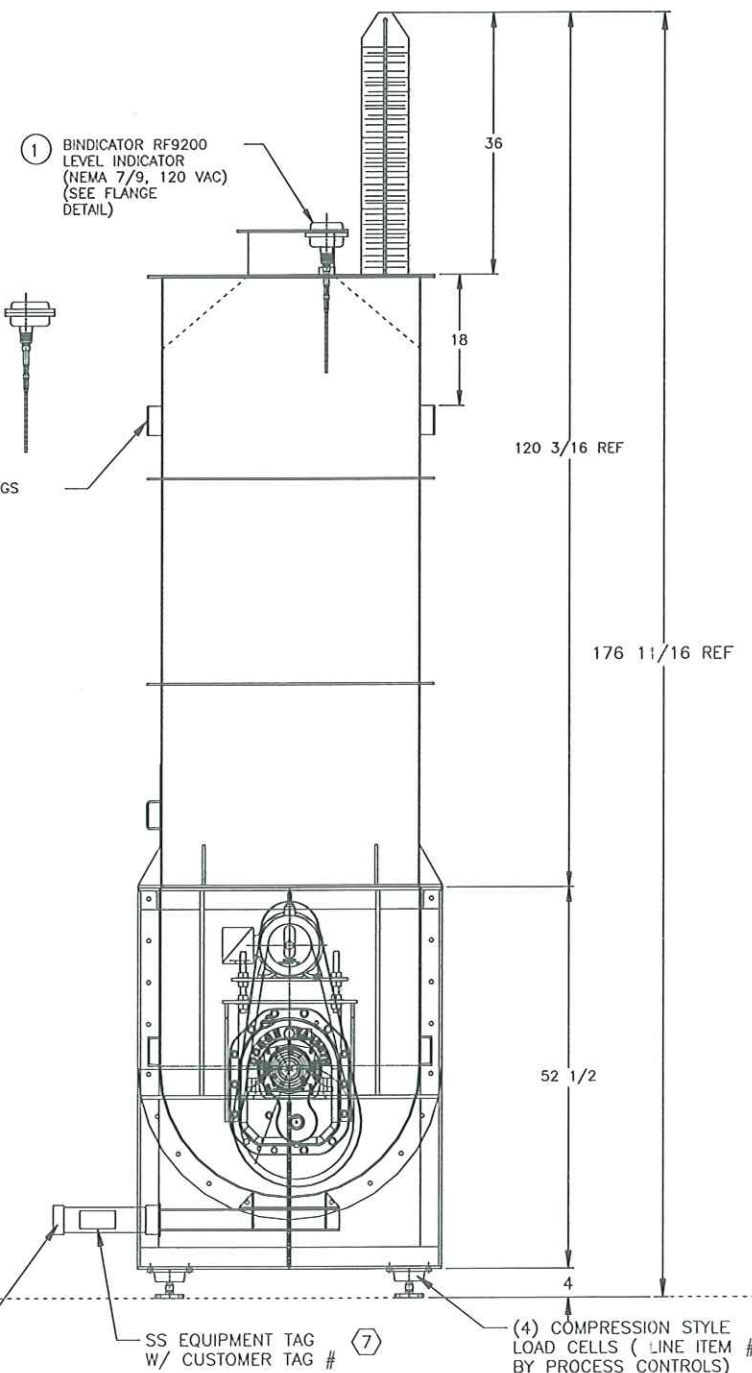
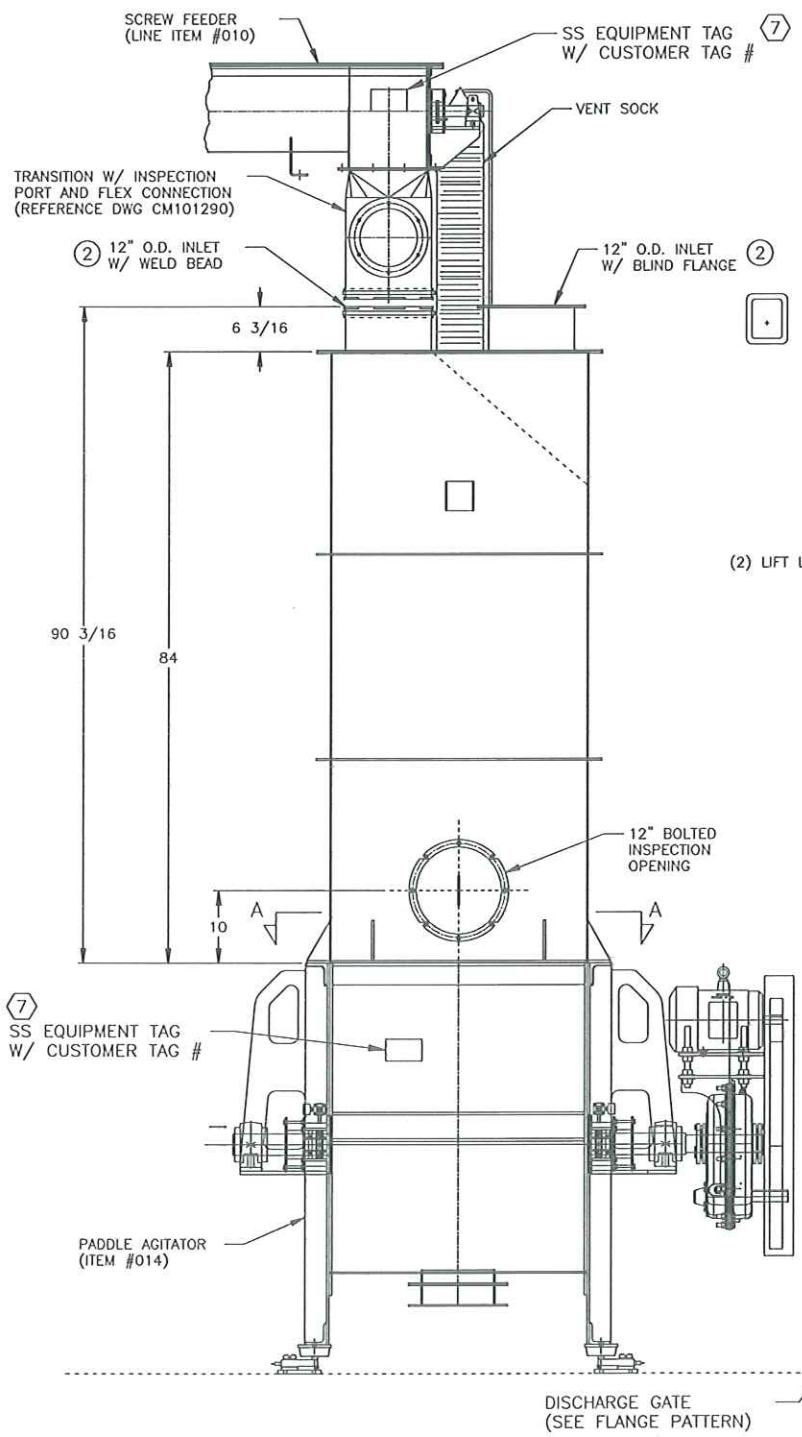
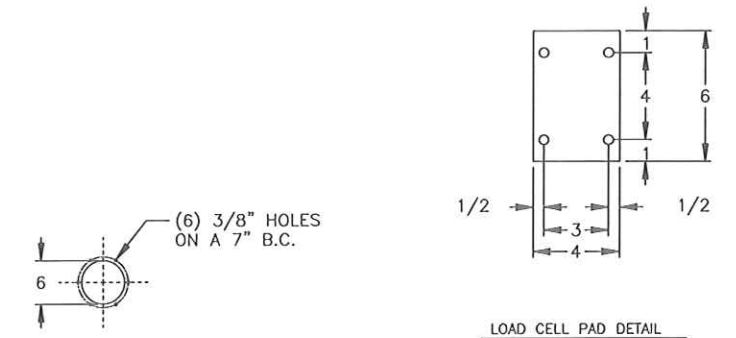
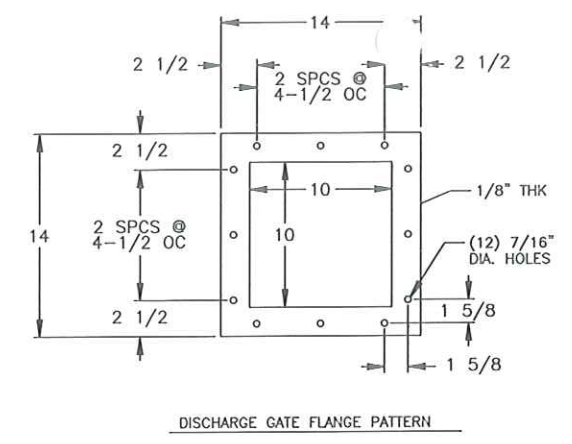
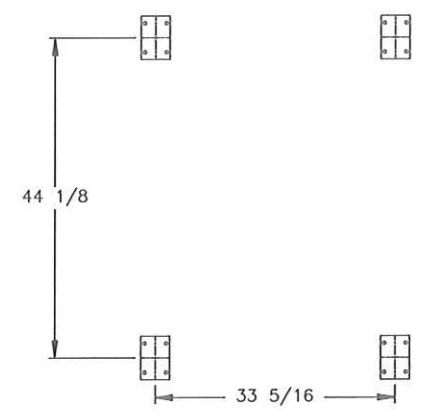
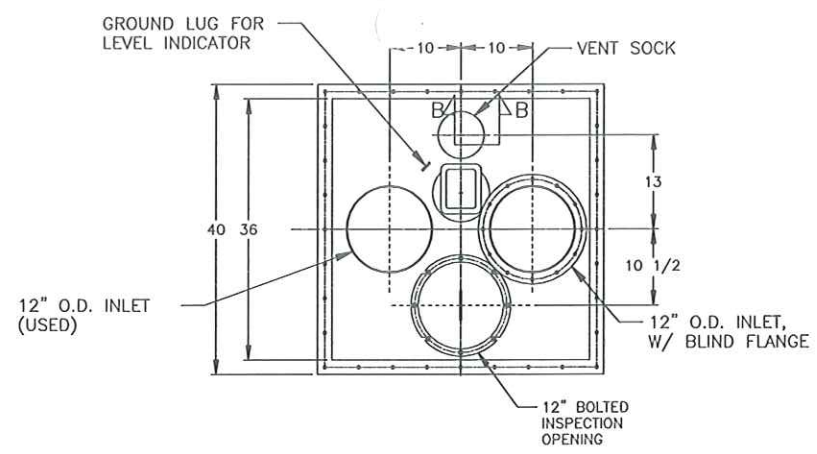


REVISIONS			
LTR.	DESCR.	DATE	BY
D	REVISED	RELEASED FOR CUST INFO	08/12/09 DAS

NOZZLE SCHEDULE	
1	6" HOLE WITH (6) 3/8" HOLES ON A 7" B.C.
2	12" HOLE



MODEL: 36 X 36 SCALE BIN  
 S/N: 144056-012-1  
 MFG: MAC EQUIPMENT  
 MATL OF CONST: CARBON STEEL  
 MAWP: 17" W.C.  
 MAEWP: 17" W.C.  
 MAX. TEMP.: 150°F.  
 EQUIPMENT TAG: V1002 CHARGING HOPPER

- NOTES:
- ALL DIMENSIONS ARE IN INCHES
  - MATERIAL OF CONSTRUCTION IS A1011 CARBON STEEL. MAXIMUM ALLOWABLE WORKING PRESSURE FOR BIN IS 17" H2O PRESSURE AND 17" H2O VACUUM ( MAXIMUM ALLOWABLE PRESSURE IS 22" H2O PRESSURE AND VACUUM)
  - EXTERIOR WELDS CONTINUOUS AND CLEANED FREE OF ALL SLAG AND SPATTER
  - INTERIOR WELDS ARE CONTINUOUS, GROUND SMOOTH FREE OF CRACKS AND CREVICES TO A CG-120 GRIT FINISH
  - APPROX. EMPTY WEIGHT:  
 - SCALE BIN: 700 LBS  
 - AGITATOR: 2100 LBS  
 - TOTAL: 2800 LBS
  - SERIAL NO.: 144056-012-1
  - TAG NO.: V1002 CHARGING HOPPER  
 WT100201 LOAD CELLS  
 R1002 PADDLE AGITATOR  
 XV100200 DISCHARGE GATE
  - GASKET MATERIAL IS SILICONE CAULKING.
  - HARDWARE IS GALVANIZED GRADE 2.
  - WORKBIN IS RATED FOR 150°F MAXIMUM TEMPERATURE.

**MAC EQUIPMENT**

THIS MATERIAL IS THE PROPERTY OF MAC EQUIPMENT INC. AND SHOULD NOT BE REPRODUCED, PUBLISHED OR ESCUELOED TO OTHERS WITHOUT AUTHORIZATION AND SHALL NOT BE USED IN ANY WAY AGAINST OR DETRIMENTAL TO MAC EQUIPMENT INC., SWEETEN, KANSAS.

36" X 36" SCALE BIN WITH COMPRESSION LOAD CELLS FOR [REDACTED]

SCALE: 5/64" = 1"    DATE: 06/30/09    JOB NO.: 144056    DRAWING NO.: DM101687

8-31-2009    8:15:12

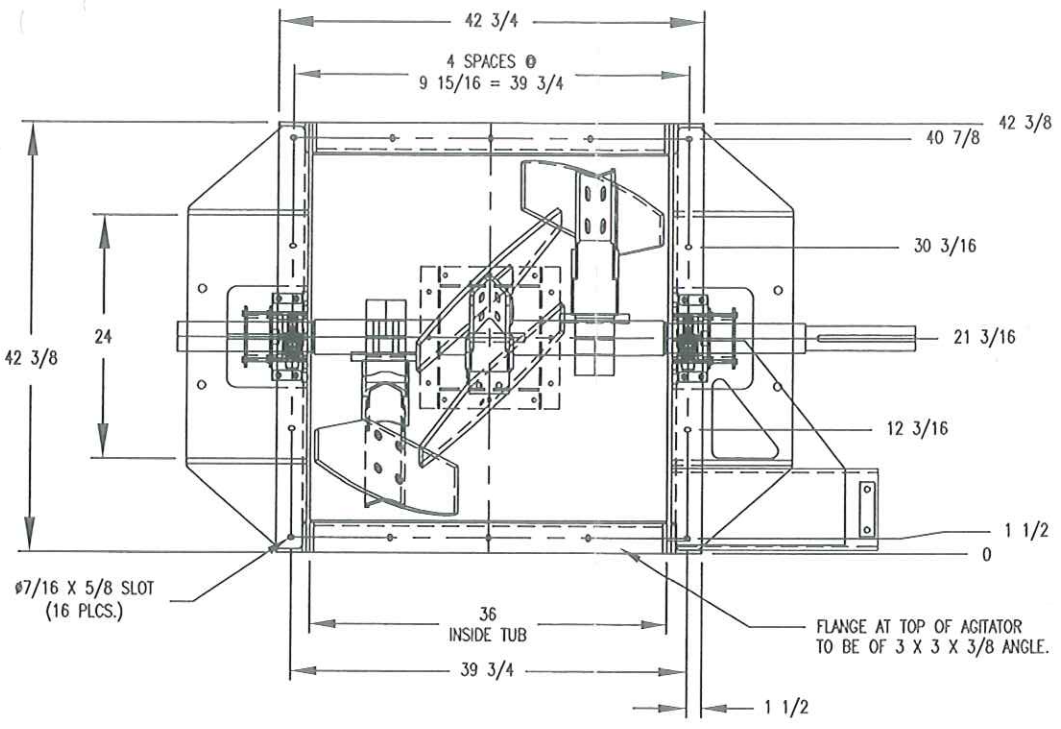
109039

DM101687



**NOTES:**

- H & S 36" X 36" HORIZONTAL PADDLE AGITATOR FOR GROUND CORN COBS (1/2" - 3/4") WEIGHING 8-18 LBS PER CU. FT.
- EXTERIOR OF MIXER TO HAVE ONE COAT OF RUST INHIBITOR PRIMER, AND ONE COAT OF MACHINERY GREY ENAMEL.
- APPROPRIATE EMC SAFETY SIGN LABELS TO BE INSTALLED.
- SEALS TO BE PACKING GLAND SEALS WITH LANTERN RING FOR AIR PURGING. SEAL TO BE SPLIT.
- BODY TO BE OF 3/16 PLATE. ENDPLATES TO BE 3/8 PLATE.
- TOP OF UNIT TO BE FLANGED FOR MOUNTING TO CUSTOMER SUPPLIED AND MOUNTED TROUGH.
- DISCHARGE TO BE 10" X 10" SALINA VORTEX GATE PROVIDED BY H & S. GATE INCLUDES AIR CONTROL ASSY, WITH POLY TUBING, FITTINGS, MOUNTING BRACKETS, SINGLE SOLENOID VALVE (120V/60HZ AC), NEMA 7/9 AND TWO MAGNETIC REED SWITCHES. MAIN SHAFT RPM @ 60HZ = 16.3 RPM.
- UNIT TO HAVE PLYWOOD SHIPPING COVER.
- THIS UNIT TO BE TAGGED # R1002.
- HARDWARE USED ZINC PLATED GRADE 5
- ITEM 200 AS FOLLOWS BALDOR Catalog # M7044T U.L. and CSA approved for Class I, Group D and Class II, Group F & G. All ratings Class I, Group C & D, and Class II, Group F & G



**PARTS LIST**

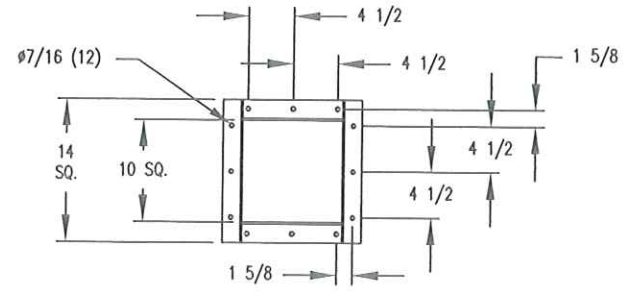
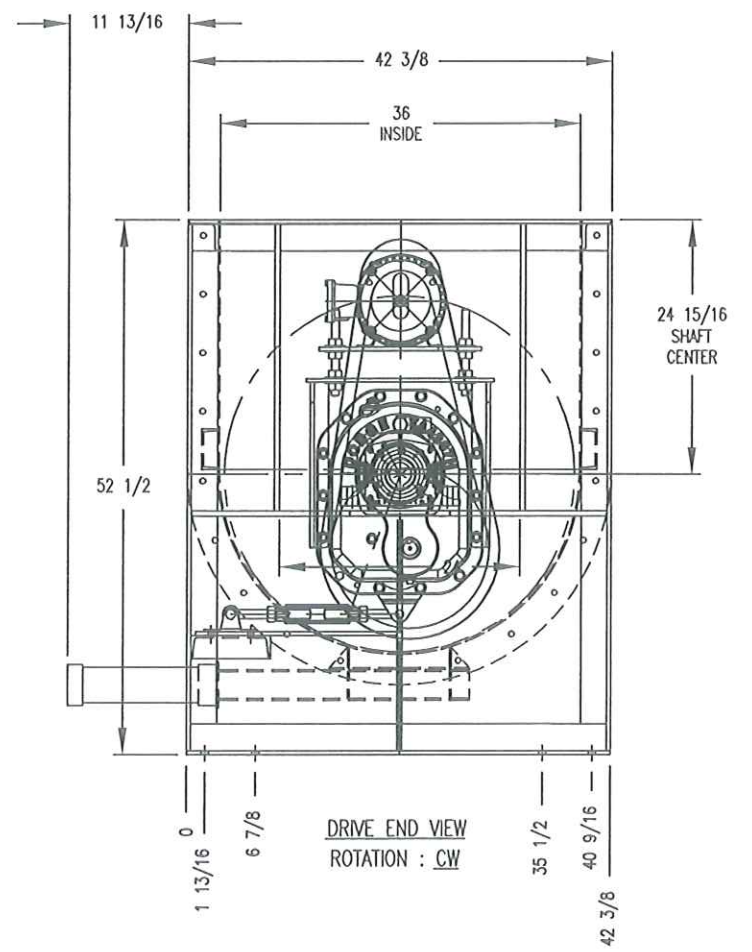
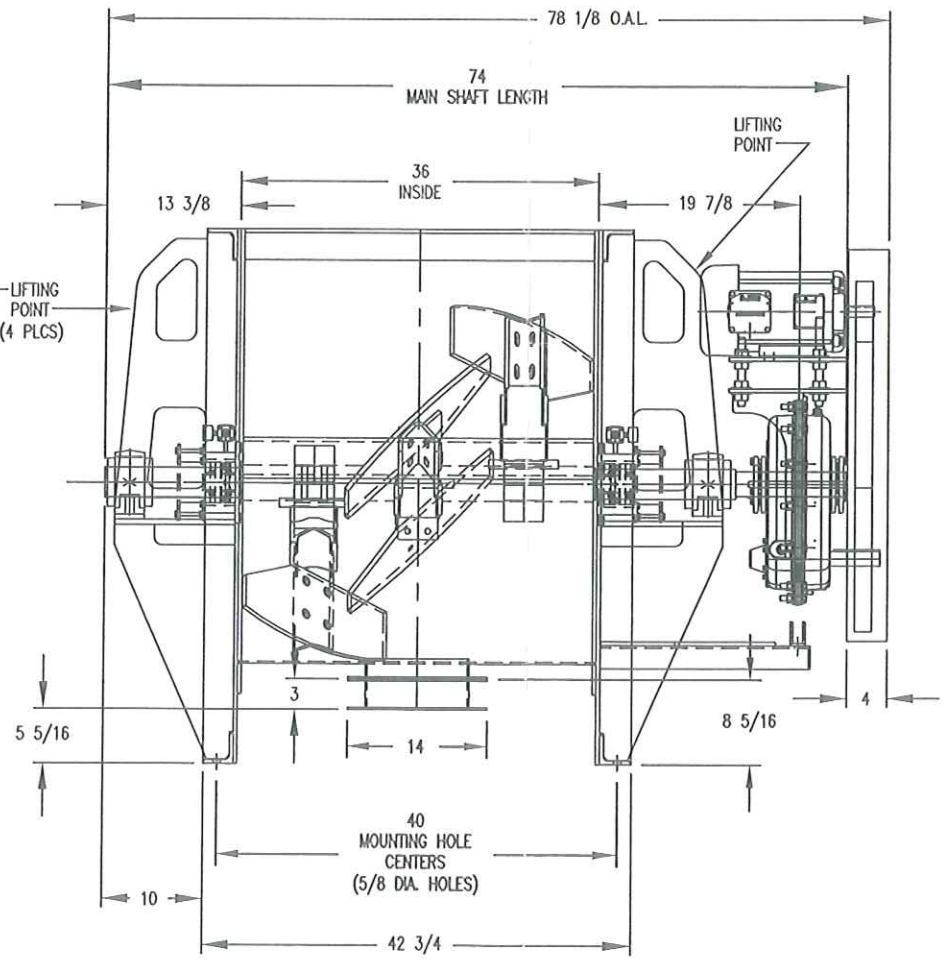
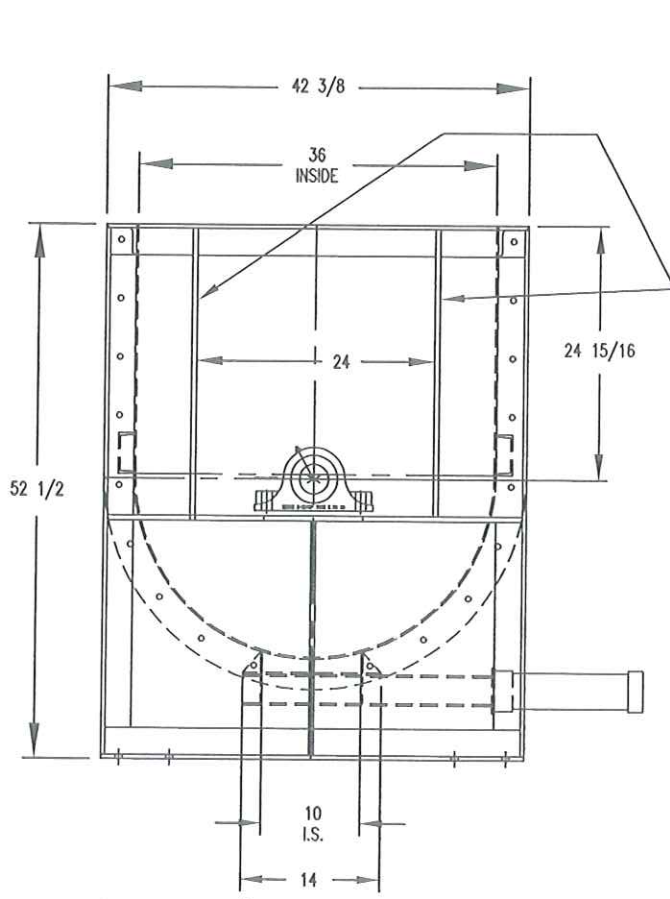
LINE NO.	ITEM LETTER	PART NUMBER	QTY	DESCRIPTION	WT	DWG SIZE
1		428 100 275	1	BODY MIXER HR 36 X 36 (3/16 PL)		C
2		428 110 533	2	ENDPLATE MIXER HR 36 IN BODY 215 PB E BEARING DRIVE		C
3		OMIT	1	COVER MIXER HR 36 X 72 BOLTED		
1		428 130 466	1	SHAFT ASSEMBLY MIXER HP 36 X 36 CW CD 307>215>207 PG SEALS TM207H		A
1	REF	428 140 460	1	SHAFT MAIN MIXER HP 36 IN BODY CD CW 307>215>207 PG SEALS 1045 TM207H		A
2	REF	428 160 164	4	ARM PADDLE OUTER MIXER HP 36 IN TUB 307 DIA SHAFT FABRICATED VER09		A
3	REF	428 190 211	2	PADDLE OUTER FLAT MIXER HP 40IN TUB LHCD VER09 (1/2IN PL; HARDFACED)		A
4	REF	428 190 212	2	PADDLE OUTER FLAT MIXER HP 40IN TUB RHCD VER09 (1/2IN PL; HARDFACED)		A
5	REF	910 947 260		FLATE HR 2 A36		
	A		4	3 9/16 X 11 1/16		
6		427 217 125	2	SEAL SHAFT FLOATING AIR PURGE 2150A		C
7		427 460 659	1	GUARD BELT 8 DIA X 17 3/4 DIA X 24 5/16IN CC X 4IN DEEP		A
8		427 250 170	1	STUB DISCHARGE MIXER 10 X 10 36IN TUB A36 SALINA VORTEX		A
9		428 800 259	16	SHIM BEARING PB E ZBOLT 215 14GA		A
10		427 610 100	1	MOUNT MOTOR REDUCER VM207H 18AT MOTOR M1 (FABRICATED)		A
11		428 800 520	1	MOUNT ARM TORQUE REDUCER TM207H MIXER HR 36 X 36 (12IN BRG PLATE)		C

**PURCHASED PARTS**

LINE NO.	ITEM LETTER	PART NUMBER	QTY	DESCRIPTION	WT	DWG SIZE
100		910 114 135	2	BEARING PB E 2 BOLT 215		
101		910 954 702	2	REGULATOR AIR 1/8 MIN		
102		910 900 300	2	GAUGE PRESSURE 1-30 PSI W/PLASTIC LENS		
103		910 969 085	2	SEAL RING LANTERN 215ID X 3150D X 1IN THRU BORE		
104		910 942 020	91 IN	PACKING TEFLON 1/2 IN #2008FDA (11 3/8 IN LG. X 8)		
105		910 803 111	1	GATE SALINA VORTEX SA10-MG-RS OPTIONS HR25A-24ES1 NEMA 7/9 SWITCHES		

**DRIVE SPECIFICATIONS**

LINE NO.	ITEM LETTER	PART NUMBER	QTY	DESCRIPTION	WT	DWG SIZE
200		910 936 394	1	MOTOR SHP 1760RPM XPFC 3/60 18AT (BALDOR)		
201		910 954 459	1	REDUCER TM207H0 TAI TAPER BUSHING DOUBLE		
202		910 182 045	1	BUSHING REDUCER DODGE TM207TB BORE 207DA		
203		910 029 902	1	ARM TORQUE REDUCER DODGE TM207RA		
204		910 974 035	1	SHEAVE QD 2B X 5.6 USES SDS BUSHING (MOTOR)		
205		910 974 082	1	SHEAVE QD 2B X 15.4 USES SK BUSHING (REDUCER)		
206		910 181 620	1	BUSHING QD SDS 102DA		
206		910 181 924	1	BUSHING QD SK 107DA		
207		910 133 051	2	BELT V B82 CLASSICAL		



R1002

MAC EQUIPMENT  
KANSAS CITY, MO  
JOB # 1866803 ITEM # R1002  
HAYES & STOLZ IND MFG CO LLC  
GENERAL OFFICES - FORT WORTH, TEXAS  
AGITATOR SSSHP 36 X 36 CD  
WITH SHP DRIVE  
1 of 1 1866803 REV B

109039

REV	DESCRIPTION	DATE
B	EDD02.3	8/21/08
A	REVISED BOM PER EDD02.2	09/25/08
LTR	REVISION	BY DATE

NOT TO BE USED OR COPIED FOR THE PURPOSE OF CONSTRUCTING PARTS FOR ANYONE OTHER THAN HAYES & STOLZ IND MFG CO LLC

JOB REFERENCE: 2100 LBS, SCALE 1:12, DRAWN BY: BAR, 7/10/08, CHECKED BY: APPROVED BY: