

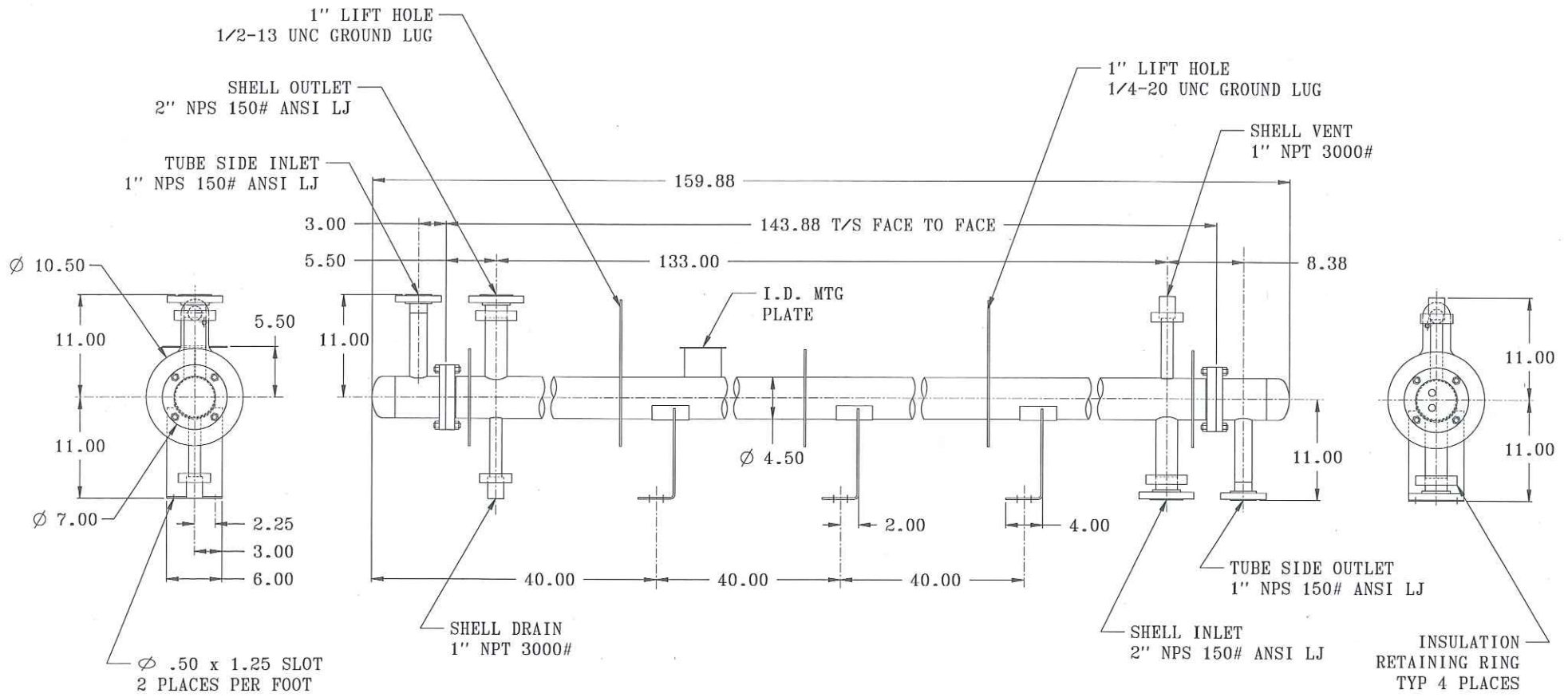
FOR ENERQUIP USE ONLY

APPROVED FOR MANUFACTURE

MWO	DATE	BY
PRODUCTION <input type="checkbox"/>	INSPECTION <input type="checkbox"/>	SHOP <input type="checkbox"/>


REVISIONS

NO	DESCRIPTION	DATE	BY	APVD
----	-------------	------	----	------



PLANE: DUPONT DANISCO CELLULOSIC ETHANOL, LLC
 PROJECT: MARATHON
 DDCE ORDER NO.: DDCE11-0083
 EQUIPMENT NUMBER: E9000-2, E9000-3, E9000-4,
 E9000-5, E9000-6, E9000-7

109016 - 109021

PREPARED BY	DATE	 TITLE HEAT EXCHANGER			
CHECKED	DATE				
ENGINEER	DATE				
4 NPS x 144 BEMH		SIZE A	TEMA CLASS C	DRAWING NO. 266552	REVISION
MWO 12619 18220K/L		SCALE .06 = 1		SHEET 1 OF 1	