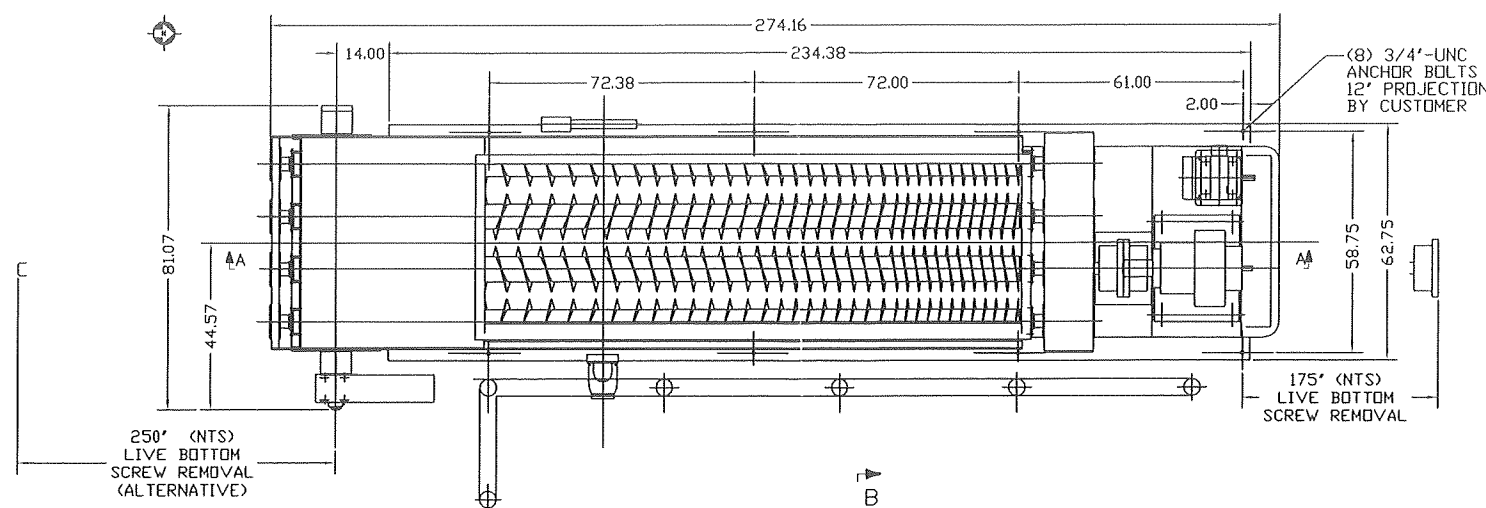
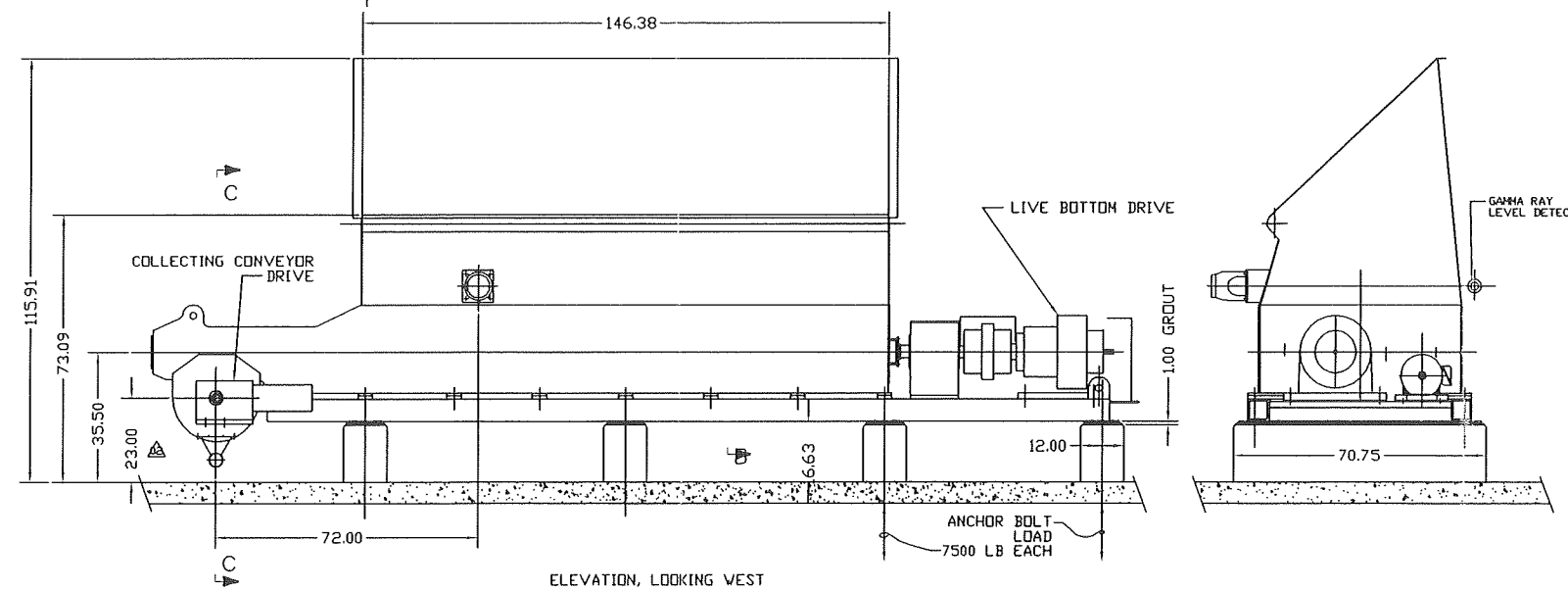
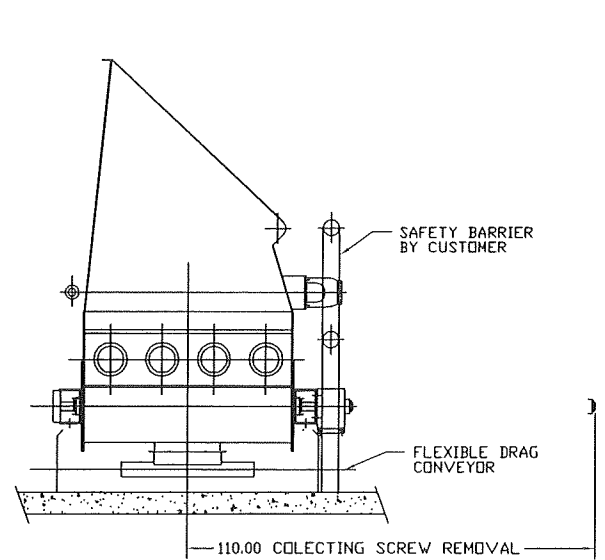


Rev	Description	Number	Date	By	App'd
01	ISSUE FOR CONSTRUCTION	01	08/24/11	ATL	
02	REVISIONS	02	08/24/11	ATL	
03	REVISIONS	03	08/24/11	ATL	
04	REVISIONS	04	08/24/11	ATL	

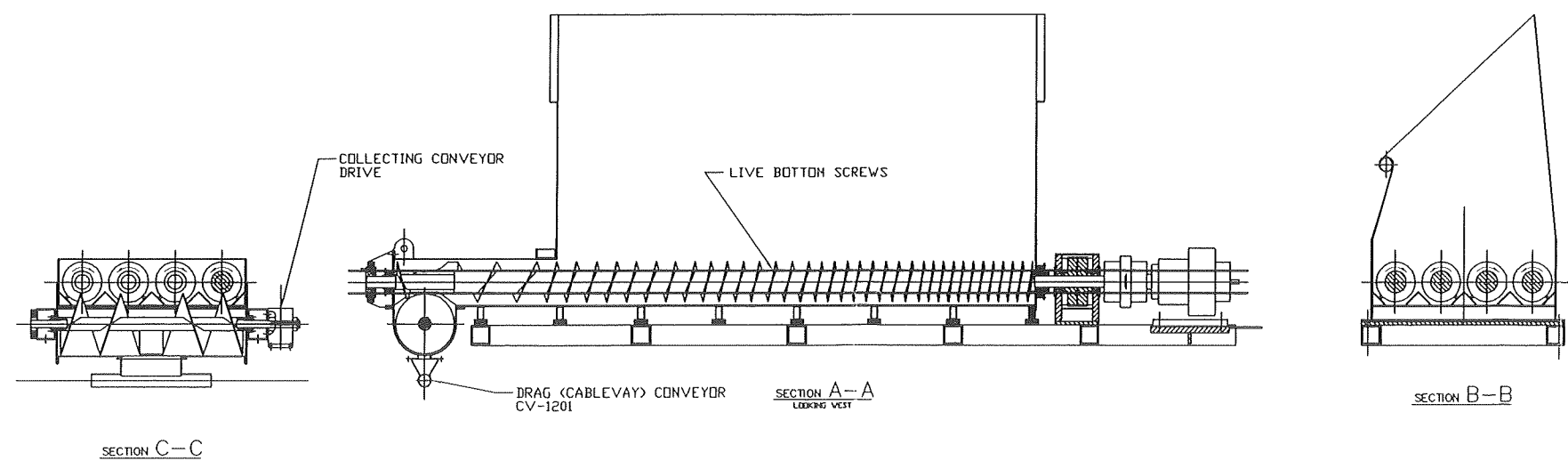


SHIPPING AND LIFTING  
 THE RECEIVING BIN C/W LIVE BOTTOM AND COLLECTING CONVEYOR WILL BE COMPLETELY ASSEMBLED IN THE SHOP AND SHIPPED AS ONE UNIT. THE LIVE BOTTOM DRIVE HAS TO BE REALIGNED AFTER INSTALLATION.  
 GROUT, ADJUSTMENT SHIMS AND ANCHOR BOLTS BY CUSTOMER.

WEIGHTS:  
 COMPLETE UNIT, EMPTY 9000 LB  
 COMPLETE UNIT WITH CONTENT 10000 LB  
 ABOVE WEIGHTS ESTIMATE IS PRELIMINARY. EXACT WEIGHTS WILL BE AVAILABLE AFTER COMPLETION OF DETAIL DESIGN.



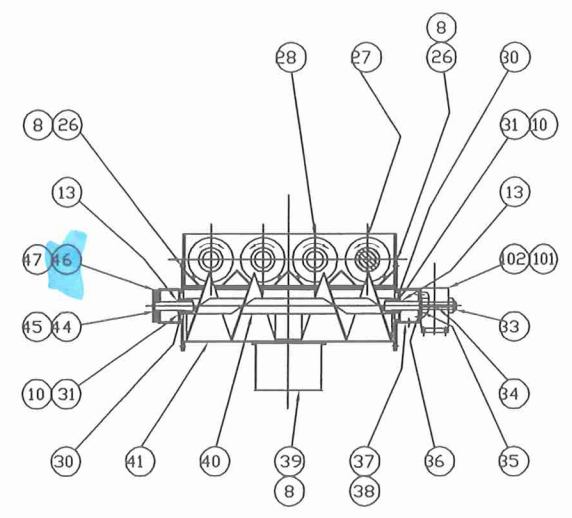
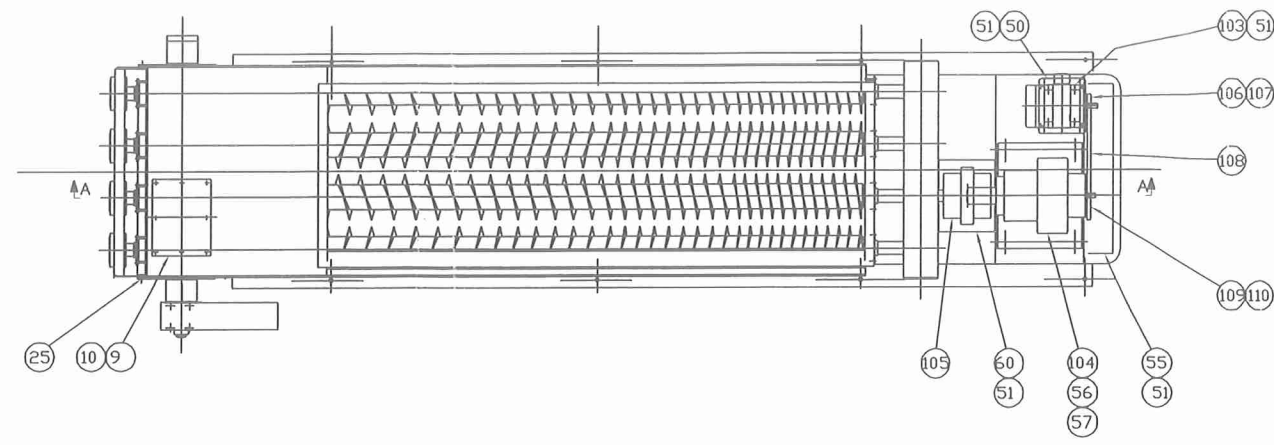
- △ LIVE BOTTOM BN-1201
- COLLECTING CONVEYOR CV-1203
- 4X12" DIA SCREWS
- IX18" DIA SCREW
- CAPACITY 29.5L/REV
- GEAR REDUCER FALK 07UW802A8.0 RATIO 8:1
- MOTOR 10 HP, 1800 RPM 215TC FRAME TEFC 460V, 60HZ EXPLOSION PROOF
- SPEED 222 RPM
- SPEED NOMINAL 1.4 RPM VARIABLE 7-21 RPM
- THIS IS AN ATMOSPHERIC EQUIPMENT
- MAX DESIGN PRESSURE 0 PSIG
- MAX OPERATING TEMPERATURE AMBIENT
- MATERIAL OF CONSTRUCTION IN CONTACT WITH PROCESS UNS S30403
- γ RAY LEVEL DETECTOR



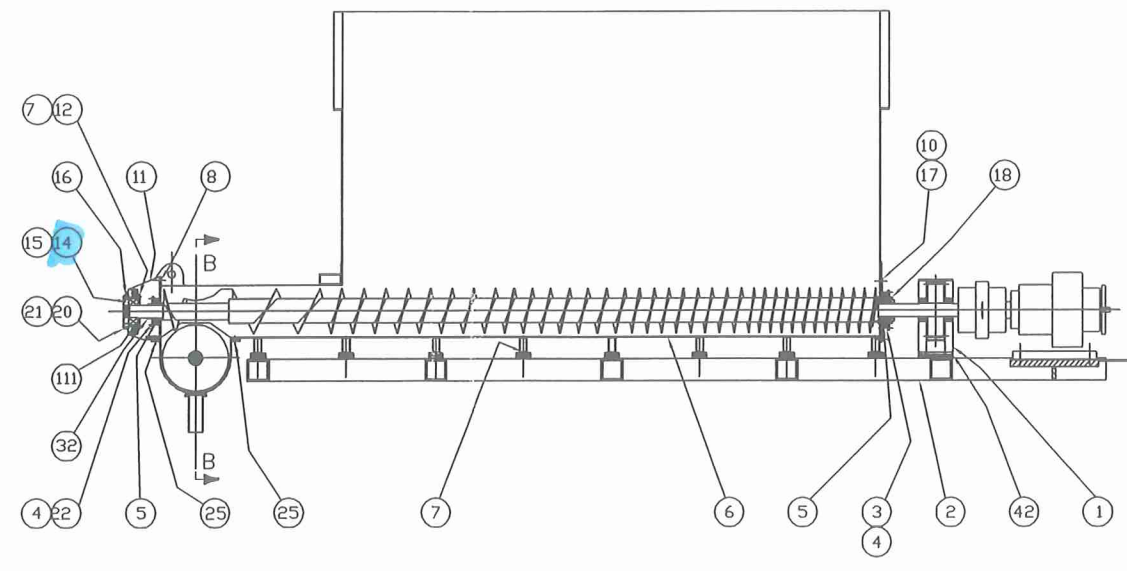
UNIVERSITY OF FLORIDA	ATLANTA
PERRY, FLORIDA	08-24-11
INSTALLATION	08-24-11
RECEIVING BIN	
C/W LIVE BOTTOM AND COLLECTING CONVEYOR	
SINGLE STAGE DRUMSTER	ATL000304

#108645

Revised		Approved	
No.	Date	By	Date



SECTION B-B



SECTION A-A

UNIVERSITY OF FLORIDA		PROJECT NO. 11-471	
FLORIDA		DATE 11/15	
ASSEMBLY	311029	DESIGNER	12509-TIA
RECEIVING DRN		CHECKED	
C/W LIVE BOTTOM AND COLLECTING CONVEYOR		APPROVED	
SINGLE STAGE DIGESTER		DATE	01/11
		PROJECT NO.	ATLF000339