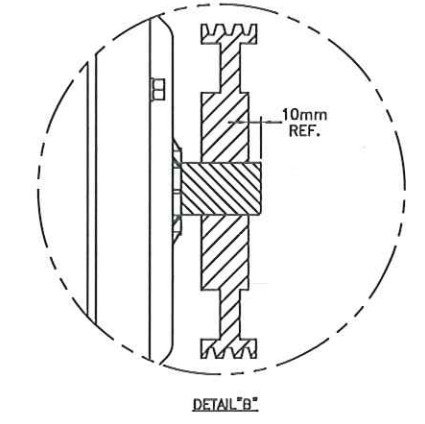
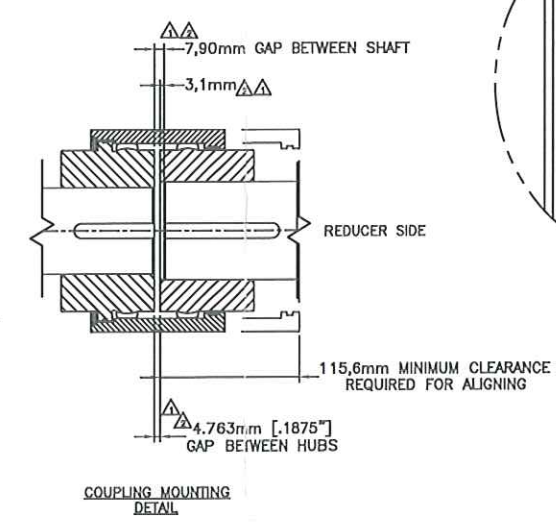
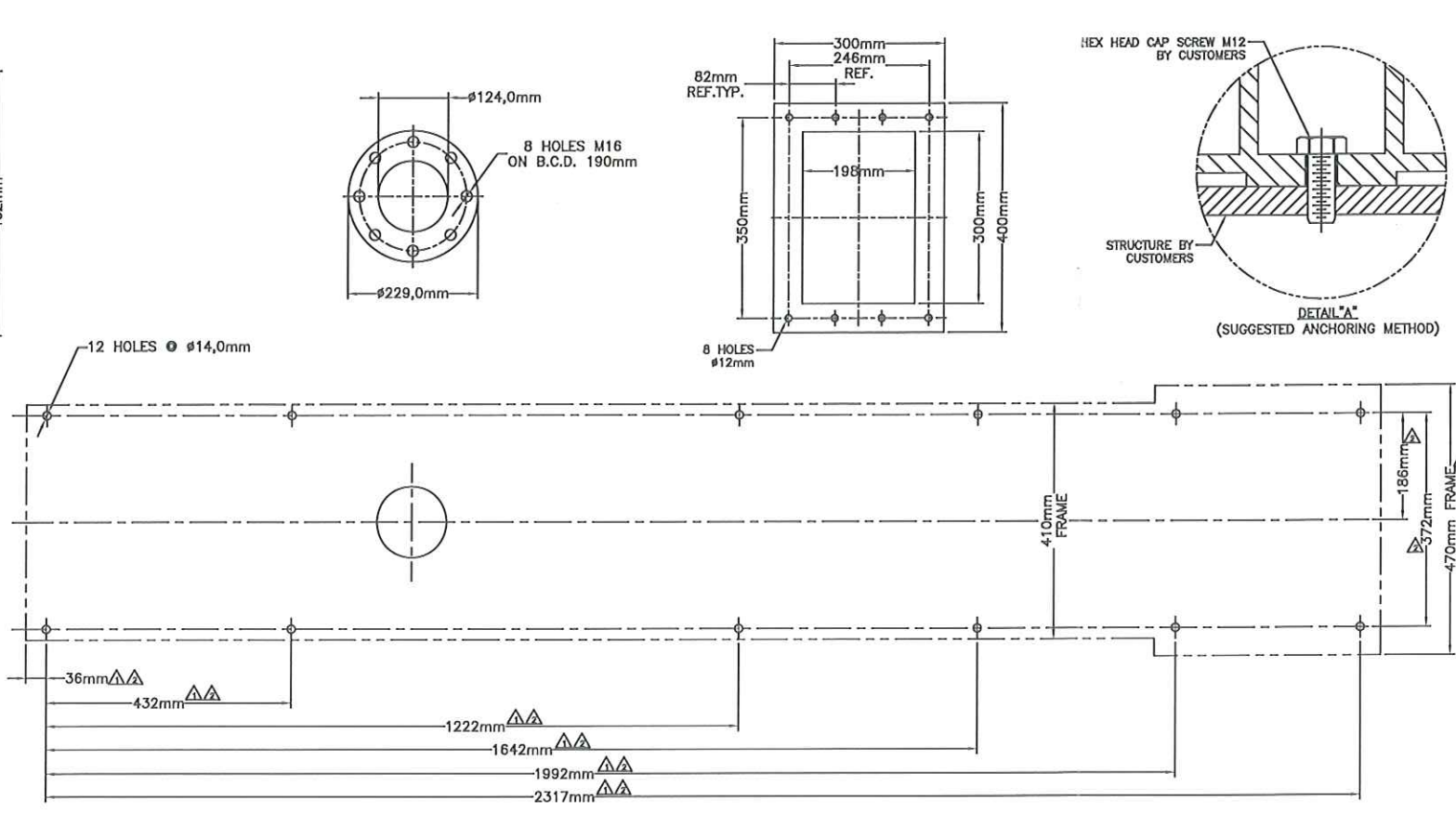
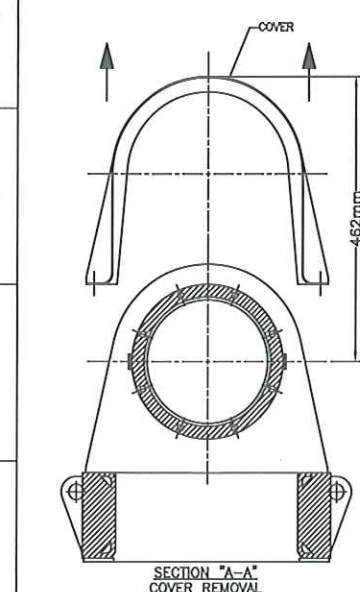
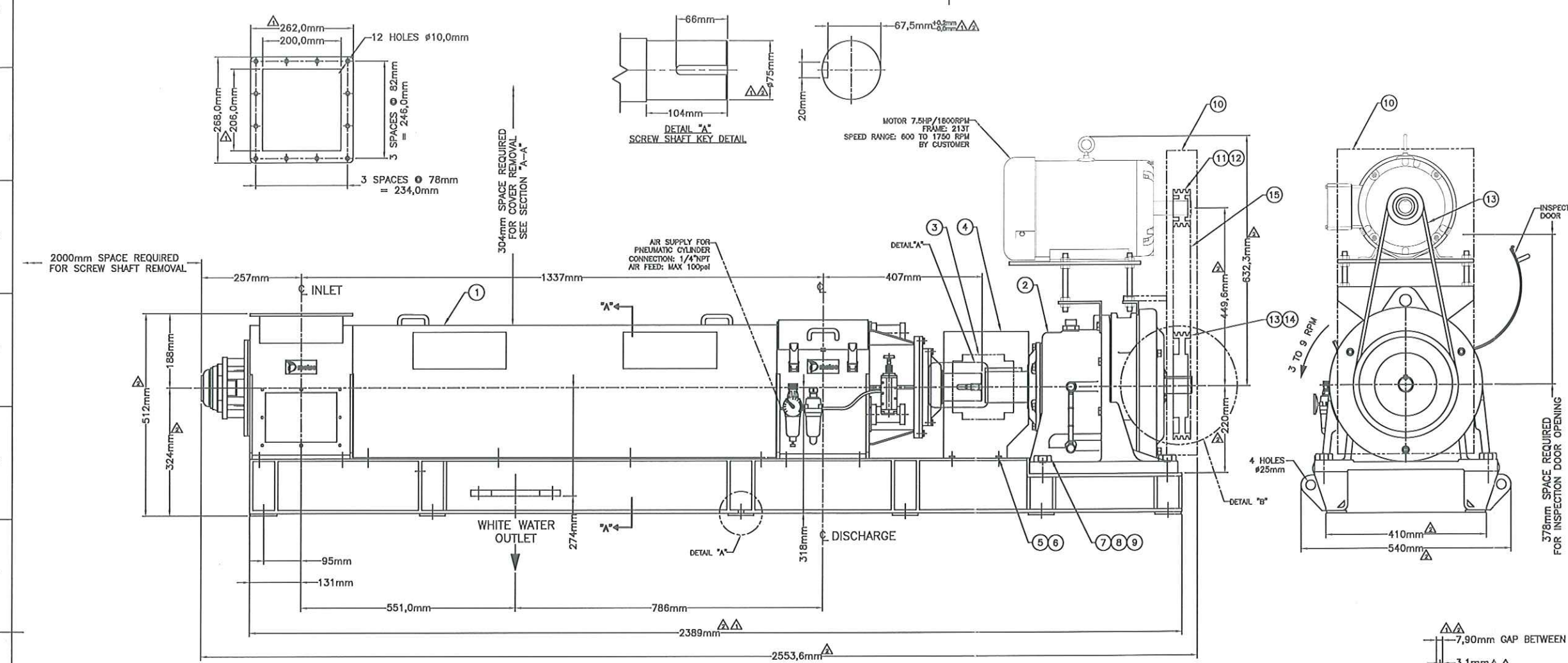


Revision			
01	CHANGE DIMENSION	BP	Approved
Rev.	Description	Drawn elgn.	10/08/03 ADI
02	CHANGE DIMENSION	BP	Approved
Rev.	Description	Drawn elgn.	10/08/11 ADI

WEIGHT OF EQUIPMENT	
EMPTY SCREW PRESS (WITH DRIVE)	1534 LBS
SCREW PRESS IN OPERATION	1636 LBS
SHAFT ONLY	338 LBS
REDUCER C/W MOTOR MOUNT V-BELT DRIVE ELECTRIC MOTOR	630 LBS

OPERATING CONDITIONS	
STOCK	--
TONNAGE	2.4 BDMTPD
INLET CONSISTENCY	10-12% MAX
OUTLET CONSISTENCY	35% MIN.
TEMPERATURE	T.B.A.
FREENESS	T.B.A.
PH	T.B.A.

CUSTOMERS	UNIVERSITY OF FLORIDA
CUSTOMERS P.O.	100068737
EQUIPMENT NO.	ME2105
SERIAL NUMBER	SN00013573



- NOTES:
- USE TOP OF FRAME FOR LEVELING TOLERANCES $\pm .004"$ TO $\pm .008"$.
 - SCREENS SPECIFICATIONS: 0.8mm/ 22.7% O.A. 1.5mm/ 17.3% O.A.
 - THE SCREW PRESS, INSPECTION DOORS ON COVER ARE BOLTED IN PLACE. BOLT M8.
 - THE SCREW PRESS, INSPECTION LID FOR DISCHARGE CHAMBER IS HELD IN PLACE BY QUICK RELEASE CLAMP.
 - GUARD WILL BE FIELD FITTED.

QTY	DESCRIPTION	UNIT	PRICE	TOTAL
15	3 BELTS	3M-800 (MATCH SET)	-	-
14	1 OD BUSHING 508 x 1-3/8"	VA/ #1-3/8" - KEY WAY 5/16" x 6/32"	-	-
13	1 MOTOR SHEAVE	4.75" O.D. - 3M-30R	-	-
12	1 OD BUSHING 508 x 1-1/2"	VA/ #1-1/2" - KEY WAY 3/8" x 3/16"	-	-
11	1 REDUCER O.D. SHEAVE	10.8" O.D. - 3M 30R	-	-
10	1 V-BELT GUARD	M.S./ MONF300007	10 Bds	10 Bds
9	4 HEX NUT M20	VAL0245397/ M20 / A2-70	-	-
8	4 HEX BOLT M20	VAL0238831/ M20 x 80mm / A2-70	-	-
7	4 LOCK WASHER M20	VAL0274928/ M20 / A2 (S8304)	-	-
6	4 LOCK WASHER 10.8mm	VAL0048008/ 10.8mm/ S8304	-	-
5	4 HEX BOLT M10	VAL0208288/ M10 x 18mm/ A2-70	-	-
4	1 COUPLING GUARD	M.S./ MONF300008	5 Bds	5 Bds
3	1 COUPLING	LIFELAN SLEEVE GEAR COUPLING #1028002	47 Bds	47 Bds
2	1 REDUCER	3M CYCLO GEAR-81807-87 c/w TOP MOTOR MOUNT	418 Bds	418 Bds
1	1 SCREW PRESS	MONF100018	808 Bds	808 Bds

DIMENSIONS ARE IN \square INCHES \square MM
TOLERANCES ON:
0 PL. DECIMALS: $\pm .030"$ OR $\pm .75$ MM
1 PL. DECIMALS: $\pm .020"$ OR $\pm .50$ MM
2 PL. DECIMALS: $\pm .010"$ OR $\pm .25$ MM
3 PL. DECIMALS: $\pm .005"$ OR $\pm .125$ MM

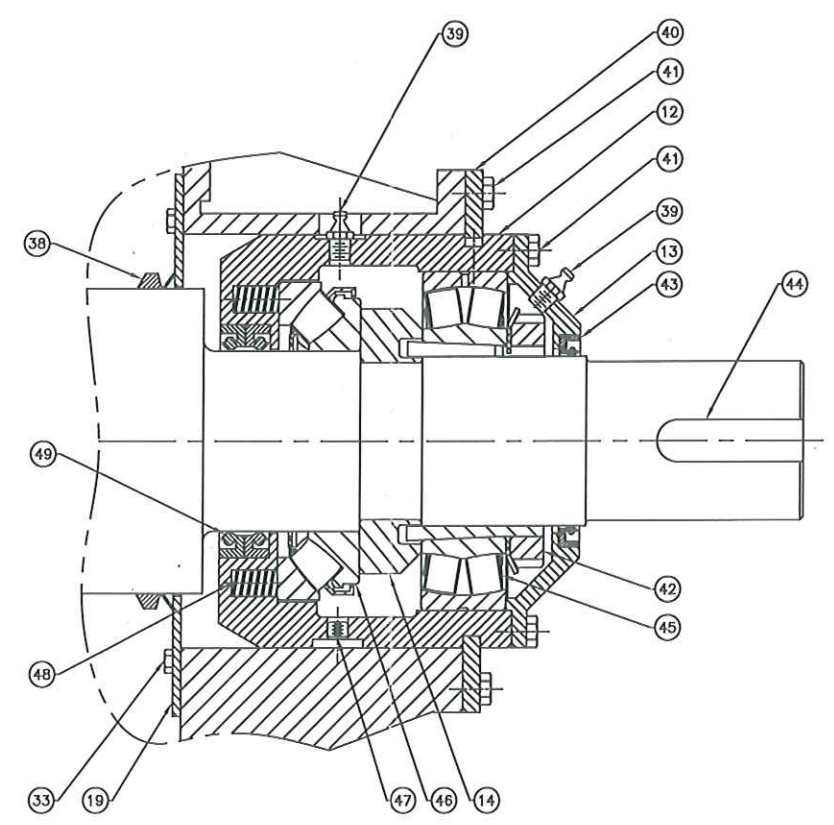
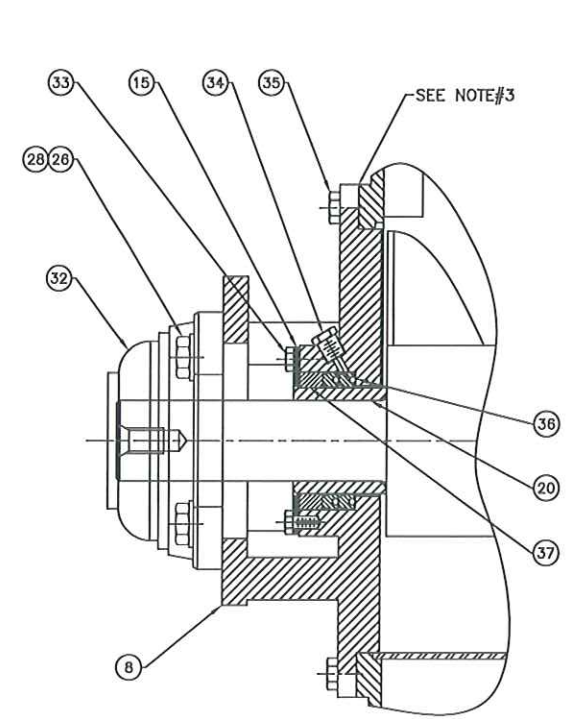
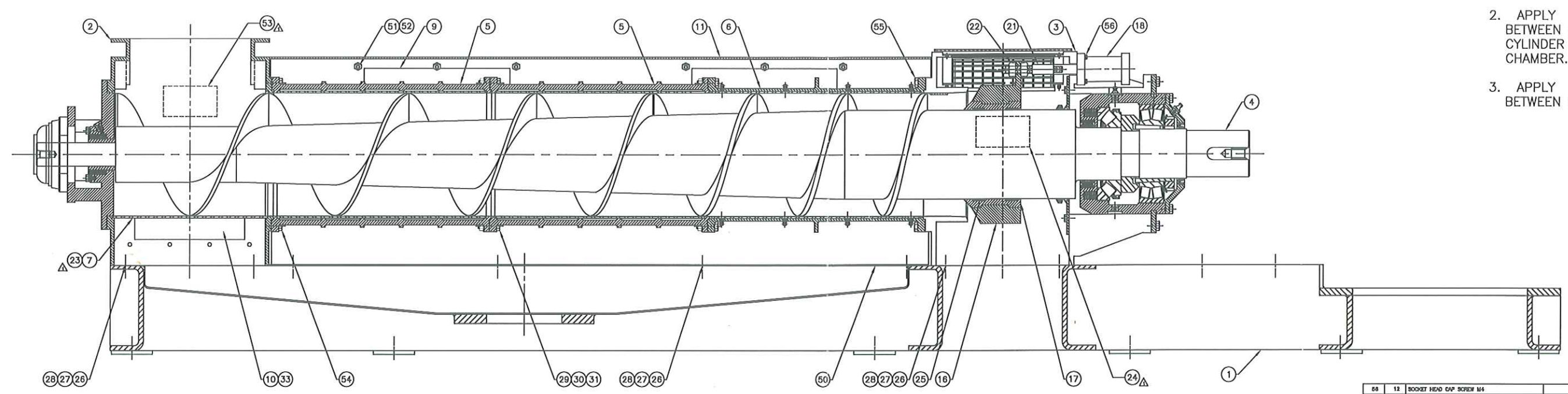
ANGLES: $\pm .5^\circ$
FRACTIONS: $\pm 1/16"$

FINISHES TO BE UNLESS OTHERWISE SPECIFIED

UNIVERSITY OF FLORIDA	UNIVERSITY OF FLORIDA	UNIVERSITY OF FLORIDA	UNIVERSITY OF FLORIDA
DRIVEN BY B.P.	DATE 10-06-08	SCALE N.T.S.	PROJECT PERRY, FLORIDA
ISSUED FOR INFO ONLY	DATE	ISSUED FOR PRELIMINARY	DATE
ISSUED FOR APPROVAL	DATE 10/05/09	ISSUED FOR CERTIFIED	DATE 10/08/11
GENERAL ASSEMBLY		MONF100031	1/1
SCREW PRESS OF 203			03
WITH MECHANICAL DRIVE			

THE INFORMATION CONTAINED HEREIN IS UNCLASSIFIED EXCEPT WHERE SHOWN OTHERWISE AND IS NOT TO BE REPRODUCED OR TRANSMITTED IN ANY FORM OR BY ANY MEANS, ELECTRONIC OR MECHANICAL, INCLUDING PHOTOCOPYING, RECORDING, OR BY ANY INFORMATION STORAGE AND RETRIEVAL SYSTEM, WITHOUT THE EXPRESS WRITTEN PERMISSION OF METSO PAPER.

NOTE: 1. APPLY GASKET ELIMINATOR BETWEEN FEED CHAMBER & DISCHARGE CHAMBER & BASE.
 2. APPLY GASKET ELIMINATOR BETWEEN PNEUMATIQUE CYLINDER & DISCHARGE CHAMBER.
 3. APPLY GASKET ELIMINATOR BETWEEN MATING SURFACES.



NO	DESCRIPTION	QTY	UNIT	REMARKS
56	12 SOCKET HEAD CAP SCREW M4			
55	8 HEX HEAD BOLT M8			
54	8 HEX HEAD BOLT M8			
53	1 METRO LOGO PLATE			
52	24 HEX NUT M8			
51	24 HEX HEAD BOLT M8			
50	2 COVER GASKET			1000mm x 30mm x 1.5mm/25/ MOHF300009/ VITON
49	2 SHFT SEAL			VL0133188/ 80/110/12
48	8 SPRING PRODUCTO MP12A			OP-A1003001
47	1 HEX SOCKET FLUG 1/2" NPT			VL020448/ 1/2"NPT/ S318
46	1 TIRLET BEARING			VL0100638/ "50" S317E
45	1 SPHERICAL ROLLER BEARING 2218 EK			VL0001007/ "50"2218 EK
44	1 KEY 20mm x 12mm x 60mm			VL0304090/ S318
43	1 SHFT SEAL			VL030484/ 80/100/10/ VITON
42	1 ADAPTER SLEEVE H318			VL0004548/ "50" H318
41	14 HEX HEAD BOLT M8			VL0023832/ M8 x 20mm/ A2-70
40	1 SPLIT LOCKWASER R318			MOHF300000/ S318
39	2 OPERIC NIPPLE 1/2" NPT			VL0008110/ 1/2"NPT/ S318
38	1 V-RING			VL0045228/ V-1408/ NBR90
37	1 BACKLAP R318			VL030487/ BU0000000000/ G/ITE
36	2 POLYPAK SEAL			VL0300003/ EP0000000000/ G/ITE
35	4 HEX HEAD BOLT M10			VL0338871/ M10 x 20mm/ A2-70
34	1 HEX FLUG 1/2" NPT			VL0133878/ 1/2"NPT/ S318
33	25 HEX HEAD BOLT M8			VL0023832/ M8 x 10mm/ A2-70
32	1 BALL BEARING FLANGED CARTRIDGE UNIT			VL030481/ FC3-Y250C/ LNK BELT
31	18 LOCK WASHER M8			VL0023837/ M8
30	18 HEX NUT M8			VL0023831/ M8-70
29	18 HEX HEAD BOLT M8			VL0023830/ M8 x 30mm/ A2-70
28	24 LOCK WASHER M10			VL0023829/ M10
27	20 HEX NUT M10			VL0023104/ M10/ A2-70
26	24 HEX HEAD BOLT M10			VL0023875/ M10 x 30mm/ A2-70
25	2 O-RING ELEMENTS			VL0304688/ 618014320000/ P/HEXOLG
24	1 METRO NAME PLATE			ALUMINUM
23	8 FLAT SOCKET CAP BOREH M8			VL0004081/ M8 x 10mm/ S318
22	8 HEX NUT M12			VL0023832/ M12/ A2-70
21	3 CYLINDER EXTENDER			MOHF400011/ S318
20	1 INLET BLEEVE			MOHF400010/ S318
19	1 CLOSURE PLATE			MOHF400009/ S318
18	3 CYLINDER 1 1/2 BORE			VL0304883/ N-LIN-24-1 3/4/ CLIPFWD
17	1 BLEEVE FOR COHE			MOHF300082/ S318
16	1 CONE			MOHF300081/ S318
15	1 SEAL COVER			MOHF300080/ S318
14	1 SPACER			MOHF300084/ S318
13	1 BEARING COVER			MOHF300083/ S318
12	1 OUTLET BEARING HOUSING			MOHF300082/ S318
11	1 COVER			MOHF300048/ S318
10	2 INSPECTION DOOR			MOHF300043/ S318
9	4 WINDOW INSPECTION			MOHF300042/ N/A
8	1 INLET SEAL HOUSING			MOHF300038/ S318
7	1 SCREW #1			MOHF300032/ S318
6	1 BASKET #1 H.C. ASSEMBLY			MOHF300008/ S318
5	2 BASKET #2 ASSEMBLY			MOHF300004/ S318
4	1 BOREH			MOHF100045/ S318
3	1 OUTLET CHAMBER			MOHF100047/ S318
2	1 INLET CHAMBER			MOHF100039/ S318
1	1 BASE			MOHF100041/ S318

DIMENSIONS ARE IN INCHES □ MM
 TOLERANCES: 0.01
 0 PL DECIMAL: ±.030" OR ±.75 MM
 1 PL DECIMAL: ±.020" OR ±.50 MM
 2 PL DECIMAL: ±.010" OR ±.25 MM
 3 PL DECIMAL: ±.005" OR ±.125 MM

UNLESS OTHERWISE SPECIFIED: 1/8"
 FINISHES TO BE: UNLESS OTHERWISE SPECIFIED

SECTIONAL MOD20
 DRAWN: BP 10-08-03
 CHECKED: AD10-08-03
 APPROVED: AD10-08-03

CAD FILE ID: []
 SHEET: 1 / 1
 REV: 01
 MODEL FILE ID: []
 DWG No.: MONF100048
 SCALE: []
 NET WEIGHT: 208 lbs
 NET WT: 94.8 kg

METSO PAPER IS A REGISTERED TRADEMARK OF METSO CORPORATION. ALL RIGHTS RESERVED. NO PART OF THIS DOCUMENT IS TO BE REPRODUCED OR TRANSMITTED IN ANY FORM OR BY ANY MEANS, ELECTRONIC OR MECHANICAL, INCLUDING PHOTOCOPYING, RECORDING, OR BY ANY INFORMATION STORAGE AND RETRIEVAL SYSTEM, WITHOUT THE WRITTEN PERMISSION OF METSO CORPORATION.