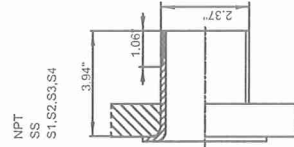
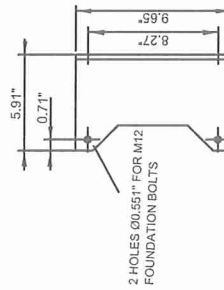
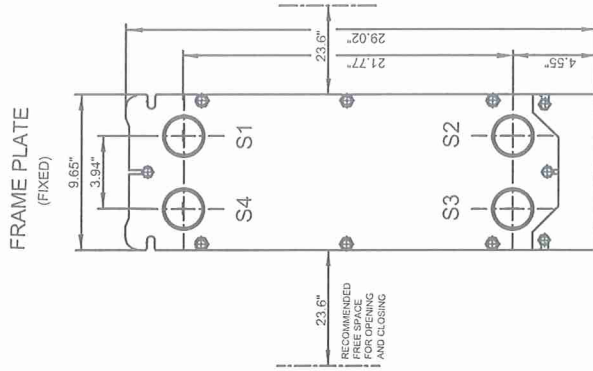
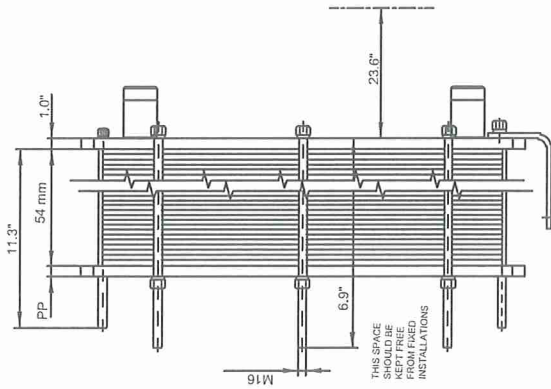
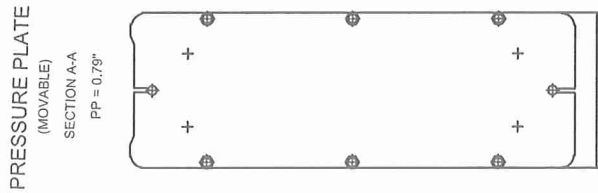


Designed constructed and stamped in accordance with 2010 ASME Code and latest Addendum.

This is a general drawing. Additional parts, if required, like protection sheets, inspection covers, etc. are not displayed.

| | | | | |
|-----------------|---------|---------|-------------------|---------------|
| REMARKS: | SIDE 1 | SIDE 2 | GASKET | EPDMP CLIP-ON |
| DESIGN PRESSURE | 150 psi | 150 psi | PLATE MATERIAL | ALLOY 316 |
| TEST PRESSURE | 195 psi | 195 psi | PLATE THICKNESS | 0.50 mm |
| MAX TEMPERATURE | 302 °F | 302 °F | HEATING SURFACE | 12.7 ft² |
| MIN TEMPERATURE | 32 °F | 32 °F | PLATE GROUPING | 1*7L/1*8L |
| MAWP | 150 psi | 150 psi | WEIGHT WITH WATER | 169 lb |
| MDMT | -20 °F | | NETWEIGHT | 160 lb |



CERTIFIED
APPROVED FOR FABRICATION
BY CF DATE 07-13-2011

TOTAL LENGTH 15.3"
TOTAL WIDTH 9.7"
TOTAL HEIGHT 29"

ALL DIMENSIONS IN INCHES REV.1: MARKED CERT.

| SIDE | MEDIA | INLET | TEMP. | OUTLET | TEMP. | FLOW RATE | PRESSURE DROP | LIQUID VOL. |
|------|-------------|-------|----------|--------|----------|------------|---------------|-------------|
| 1 | Water-Steam | S4 | 293.0 °F | S3 | 293.0 °F | 509.5 lb/h | 0.07649 psi | 0.08 ft³ |
| 2 | Water | S2 | 80.0 °F | S1 | 94.0 °F | 35000 lb/h | 11.60 psi | 0.09 ft³ |

| | | |
|---|---------------|-------------------|
| SUPPLIER | REF. 43507-40 | ITEM NO. HP-9601 |
| AGENT / REF. / 774610 | | |
| CUSTOMER NAME / REF. NO. University Of Florida / 1100113912 | | |
| SIGN. CFN | | RISK CATEGORY N/A |

PLATE HEAT EXCHANGER

T5-MFG
ASME

108636

| | |
|---------------------------|-----------|
| SERIAL NUMBER 30113-89817 | |
| DATE 2011-07-13 | REV NO. 1 |

Alfa Laval, Plate Heat Exchanger
Channel Plate Installation Description

2011-07-13

Customer: University Of Florida SU Order No: 43507-40
 Model : T5-MFG Serial No: 30113-89817
 Customer PO: 1100113912 Item No: HP-9601

Plate material and Thickness: ALLOY 316 0.50 mm

A Dimension: 54 mm

| | | |
|-------------------|-----------------|------------------|
| | Hot side | Cold side |
| Grouping: | 1*7L | 1*8L |
| Sealing material: | EPDMP CLIP-ON | EPDMP CLIP-ON |
| Port Locations: | S4 -> S3 | S2 -> S1 |

Connection material: Stainless steel Stainless steel

Port hole with flow on the gasketed side: U

Port hole sealed with O-ring: O

Plates are assembled with the gasket side facing the frame plate.

| Plate no. | Plate code no. | Plate Pattern | | Punched corner of the plate | | | | Flow direction on the gasket side of the plate | |
|-----------|----------------|---------------|-------|-----------------------------|------------|-------------|-------------|--|------|
| | | | | upper left | lower left | lower right | upper right | | |
| | | | | S1 | S2 | S3 | S4 | | |
| | | | | =<= | =>= | =>= | =<= | | |
| | FRAME PLATE | | | | | | | | |
| 1 | 39508736 83 | T5 M2 | A | O | O | O | O | | |
| 2 | 39508735 03 | T5 M1 | B | U | --<--- | U | O | O | Up |
| 3 | 39508735 03 | T5 M1 | A | O | O | U | --<--- | U | Down |
| 4 | 39508735 03 | T5 M1 | B | U | --<--- | U | O | O | Up |
| 5 | 39508735 03 | T5 M1 | A | O | O | U | --<--- | U | Down |
| 6, | 8, ..., 10 | 39508735 03 | T5 M1 | B | | | | | |
| 7, | 9, ..., 11 | 39508735 03 | T5 M1 | A | | | | | |
| 12 | 39508735 03 | T5 M1 | B | U | --<--- | U | O | O | Up |
| 13 | 39508735 03 | T5 M1 | A | O | O | U | --<--- | U | Down |
| 14 | 39508735 03 | T5 M1 | B | U | --<--- | U | O | O | Up |
| 15 | 39508735 03 | T5 M1 | A | O | O | U | --<--- | U | Down |
| 16 | 39508736 76 | T5 M2 | B | | --<--- | | | | Up |
| | PRESSURE PLATE | | | | | | | | |
| | | | | T1 | T2 | T3 | T4 | | |

| | |
|-------------|-----------|
| Article No: | Quantity: |
| 39508736 83 | 1 |
| 39508735 03 | 14 |
| 39508736 76 | 1 |

CERTIFIED
 APPROVED FOR FABRICATION
 BY: CF DATE: 07-13-2011