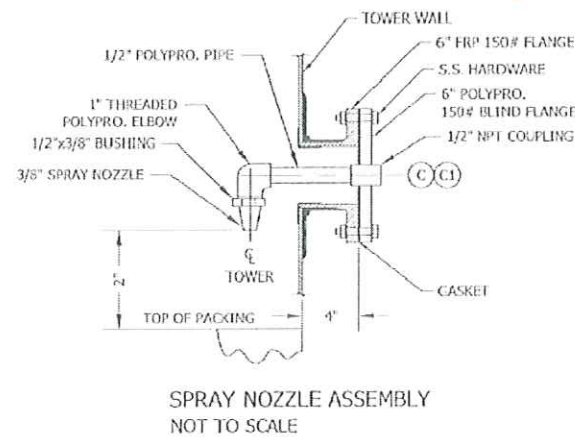
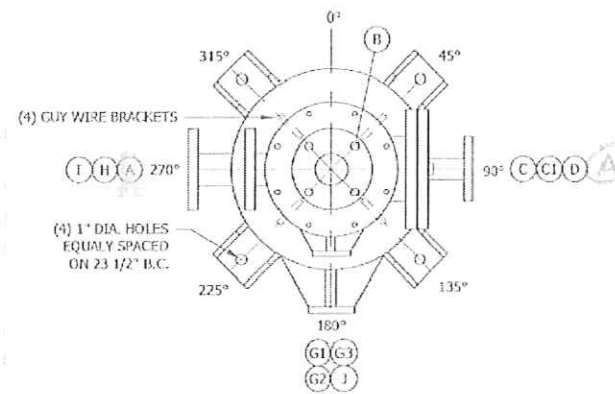


NOZZLE SCHEDULE										
MARK	CONNECTION	ID NOMINAL	OD	BOLT CIRCLE	HOLE DIA.	QTY.	THK.	PROJECTION	DRILL PATTERN PER	REMARKS
A	GAS INLET	3"	7 1/2"	6	3/4"	4	15/16"	4	ANSI 150#	
B	GAS OUTLET	3"	7 1/2"	6	3/4"	4	15/16"	4	ANSI 150#	W/ GUSSETS
C	LIQUID INLET	1/2"								NPT CPLG
C1	LIQUID INLET MOUNTING	6"	11	9 1/2"	7/8"	8	1"	4	ANSI 150#	
D	DRAIN	2"	6	4 3/4"	3/4"	4	3/4"	4	ANSI 150#	
E	REMOVABLE TOP	8"	12 3/8"	11	7/16"	8	1/2"	4	PS15-69	
F	BODY FLANGE	8"	12 3/8"	11	7/16"	8	1/2"	4	PS15-69	
G1, G2, G3	PRESSURE TRANSMITTERS	1/2"	3 1/2"	2 3/8"	5/8"	4	7/16"	4	ANSI 150#	W/ GUSSETS
H	TEMPERATURE TRANSMITTER	1"	4 1/4"	3 1/8"	5/8"	4	9/16"	4	ANSI 150#	W/ GUSSETS
I	LEVEL TRANSMITTER	3"	7 1/2"	6	3/4"	4	15/16"	4	ANSI 150#	
J	LOW POINT DRAIN	1"	4 1/4"	3 1/8"	5/8"	4	9/16"	4	ANSI 150#	W/ GUSSETS



FOR APPROVAL
 Approved as Submitted
 Approved as Noted
 Not Approved
 Name: TPK Date: 5/18/11

GENERAL NOTES:
 Materials of Construction:
 TOWER SHELL: FIBERGLASS DERAKANE 470 RESIN W/ NEXUS VEIL.
 MIST ELIMINATOR: POLYPROPYLENE (MESH TYPE).
 PACKING: POLYPROPYLENE (5/8" REFLEX RINGS).
 SPRAY NOZZLE: POLYPROPYLENE (3/8" TFM 4 GPM @ 10-12FG).
 GASKETS: TEFLON ENVELOPE (NEOPRENE FILLING).
 HARDWARE: 18-8 STAINLESS STEEL.
 FINISH COLOR: LIGHT GRAY.
 BOLT HOLES TO STRADDLE CENTER LINES.
 FOR PACKING ACCESS REMOVE "C1" OR "I" CONNECTION.

SHELL THICKNESS: 1/4"
 BOTTOM HEAD: 3/8"

WEIGHT:
 SHIPPING: 400 LBS.
 OPERATING: 950 LBS.
 FLOODED: 1250 LBS.

DESIGN DATA:
 VESSEL DESIGNED AND FABRICATED PER PS15-69 STANDARD
 WIND LOAD: INDOORS
 AIR INLET CAPACITY: 8-19 CFM
 AIR INLET TEMPERATURE: 90°F APPROX.
 AIR INLET PRESSURE: ATMOSPHERIC
 GAS COMPOSITION: CO₂
 DESIGN PRESSURE: 35 PSI.
 DESIGN TEMPERATURE: 90°F.
 LIQUID INLET RATE: 4 GPM.
 LIQUID TEMPERATURE: 60°F.
 LIQUID PRESSURE: 10-12 PSIG.
 LIQUID COMPOSITION: RECYCLE BLEACH SOLUTION.
 PRESSURE DROP ACROSS TOWER: <2" WG

NO.	REV.	DATE	BY	CHKD.	DESCRIPTION
1					

This drawing is confidential property of BRANCH ENVIRONMENTAL CORP. Any reproduction, disclosure or use of this drawing is prohibited except as authorized in writing by BRANCH ENVIRONMENTAL CORP. This drawing must be returned to BRANCH ENVIRONMENTAL CORP. on demand on completion of order or other purposes for which it is furnished.

BRANCH ENVIRONMENTAL CORP.

PO BOX 5245
 AUSTIN TEXAS 78762
 COMMERCIAL BLVD 222

UNIVERSITY OF FLORIDA

DESIGNER: 1100113945

DATE: BE2143

SCALE: 1/2"=1'

BLEACH SCRUBBER SC-7203
 MODEL: 81101
 STAGE-2

SHEET: 1 OF 1

DATE: D

PROJECT: BE2143-12

1

#108598