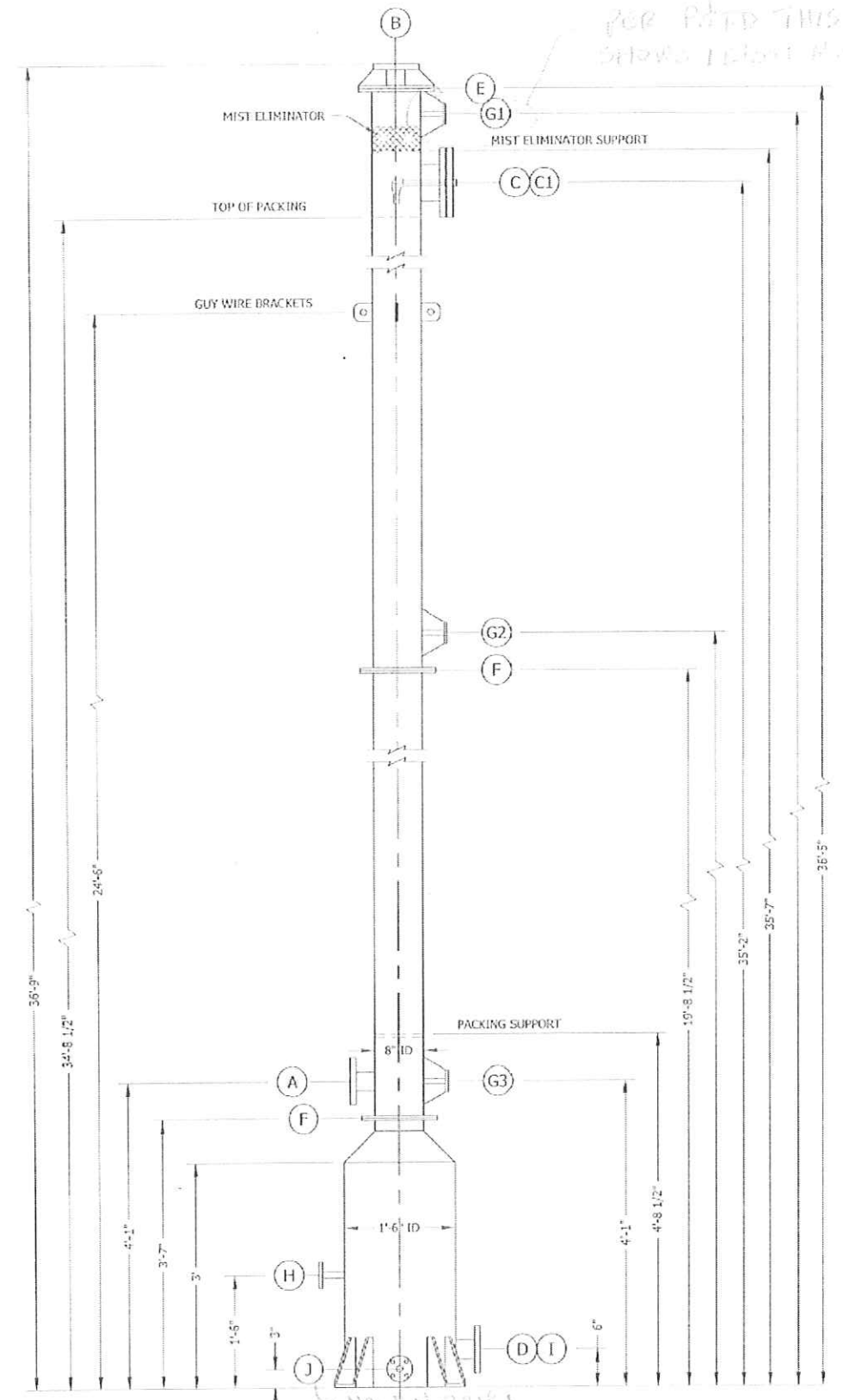


NOZZLE SCHEDULE

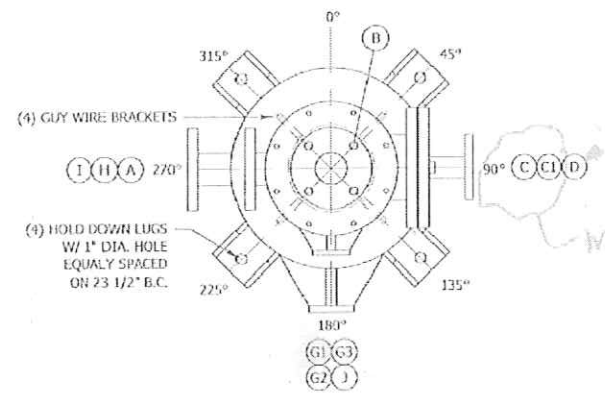
MARK	CONNECTION	ID NOMINAL	OD	BOLT CIRCLE	HOLE DIA.	QTY.	THK.	PROJECTION	DRILL PATTERN PER	REMARKS
A	GAS INLET	3"	7 1/2"	6	3/4"	4	15/16"	4	ANSI 150#	
B	GAS OUTLET	3"	7 1/2"	6	3/4"	4	15/16"	4	ANSI 150#	W/ GUSSETS
C	LIQUID INLET	1/2"								NPT CPLG
C1	LIQUID INLET MOUNTING	6"	11"	9 1/2"	7/8"	8	1"	4	ANSI 150#	
D	DRAIN	2"	6"	4 3/4"	3/4"	4	3/4"	4	ANSI 150#	
E	REMOVABLE TOP	8"	12 3/8"	11"	7/16"	8	1/2"	4	PS15-69	
F	(2) BODY FLANGES	8"	12 3/8"	11"	7/16"	8	1/2"	4	PS15-69	
G1, G2, G3	PRESSURE TRANSMITTERS	1/2"	3 1/2"	2 3/8"	5/8"	4	7/16"	4	ANSI 150#	W/ GUSSETS
H	TEMPERATURE TRANSMITTER	1"	4 1/4"	3 1/8"	5/8"	4	9/16"	4	ANSI 150#	W/ GUSSETS
I	LEVEL TRANSMITTER	3"	7 1/2"	6"	3/4"	4	15/16"	4	ANSI 150#	
J	LOW POINT DRAIN	1"	4 1/4"	3 1/8"	5/8"	4	9/16"	4	ANSI 150#	W/ GUSSETS

7201-01  
7201-06  
9501-10  
7201-09

FOR P&ID THIS NOZZLE SHOWS 180° ORIENTATION

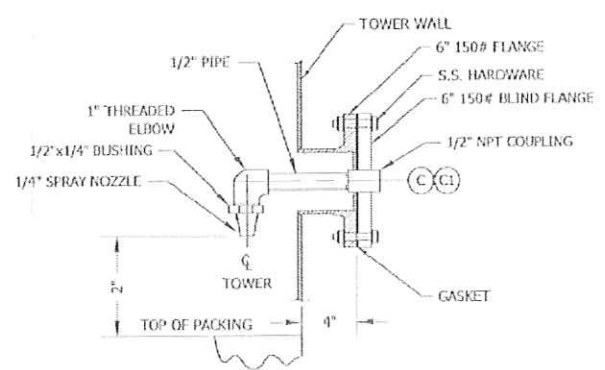


ELEVATION VIEW  
SCALE 1/2\"/>



PLAN VIEW  
SCALE 1/2\"/>

MOVE D TO 180° ORIENTATION  
MOVE TO 0° ORIENTATION



SPRAY NOZZLE ASSEMBLY  
NOT TO SCALE

FOR APPROVAL  
 Approved as Submitted  
 Approved as Noted  
 Not Approved  
 Name: TJK Date: 5/18/11

GENERAL NOTES:  
 Materials of Construction:  
 TOWER SHELL: 304L STAINLESS STEEL.  
 MIST ELIMINATOR: 304L STAINLESS STEEL (MESH TYPE).  
 PACKING: 304 STAINLESS STEEL (5/8\"/>

WEIGHT:  
 SHIPPING: 600 LBS.  
 OPERATING: 1300 LBS.  
 FLOODED: 2000 LBS.

DESIGN DATA:  
 IN GENERAL ACCORDANCE WITH ASME CODE.  
 WIND LOAD: INDOORS  
 AIR INLET CAPACITY: 8-49 CFM.  
 AIR INLET TEMPERATURE: 90°F APPROX.  
 AIR INLET PRESSURE: ATMOSPHERIC.  
 GAS COMPOSITION: CO<sub>2</sub> CONTAINING ETHANOL.  
 DESIGN PRESSURE: 35 PSI.  
 DESIGN TEMPERATURE: 90°F.  
 LIQUID INLET RATE: 2 GPM.  
 LIQUID TEMPERATURE: 60°F.  
 LIQUID PRESSURE: 10-12 PSIG.  
 LIQUID COMPOSITION: ONCE THRU WATER.  
 PRESSURE DROP ACROSS TOWER: 6\"/>

2° RUFFLE AT SUPPORT SHOULD BE SET ON PAISED END TO FACILITATE PACK SUPPORT