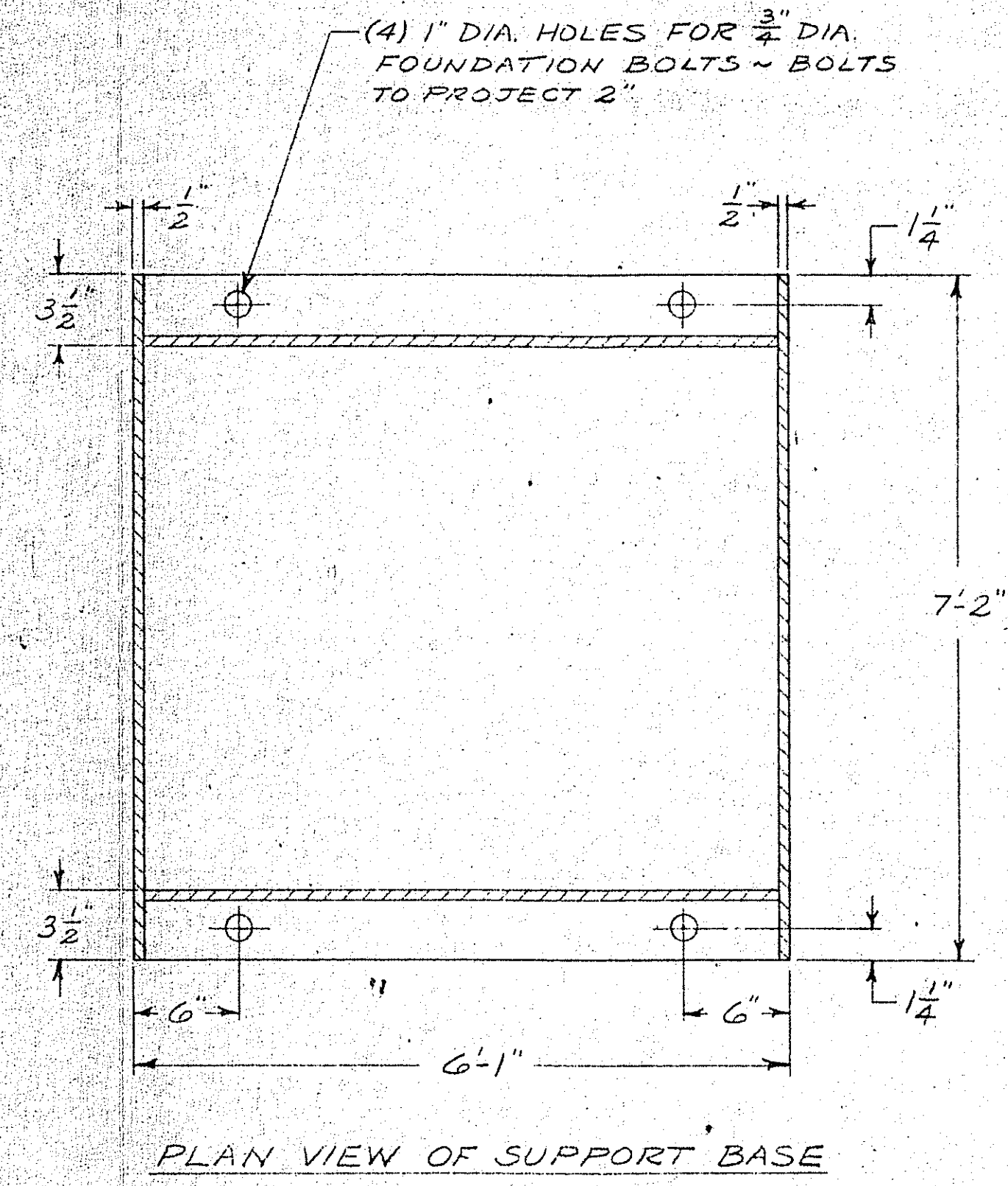
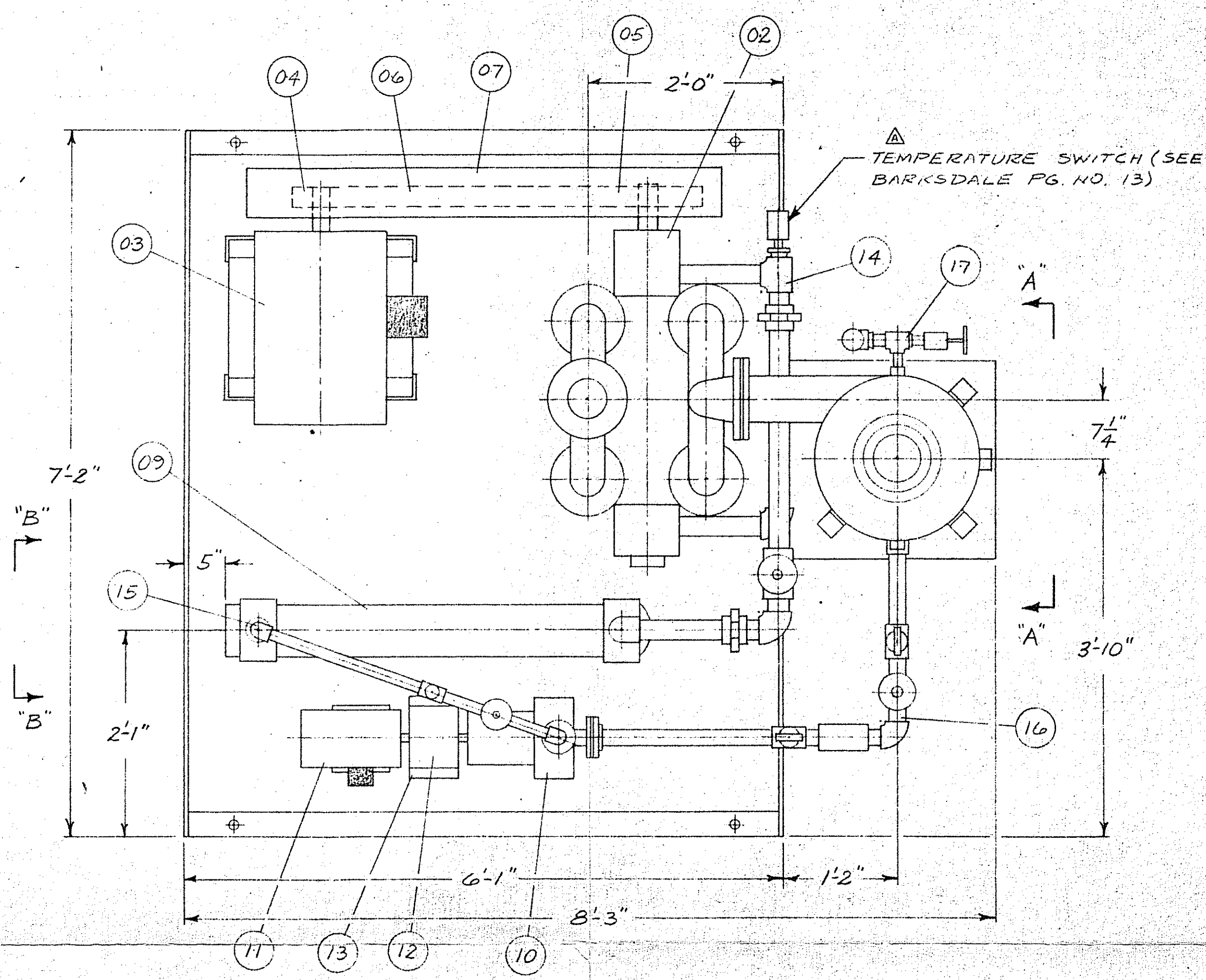
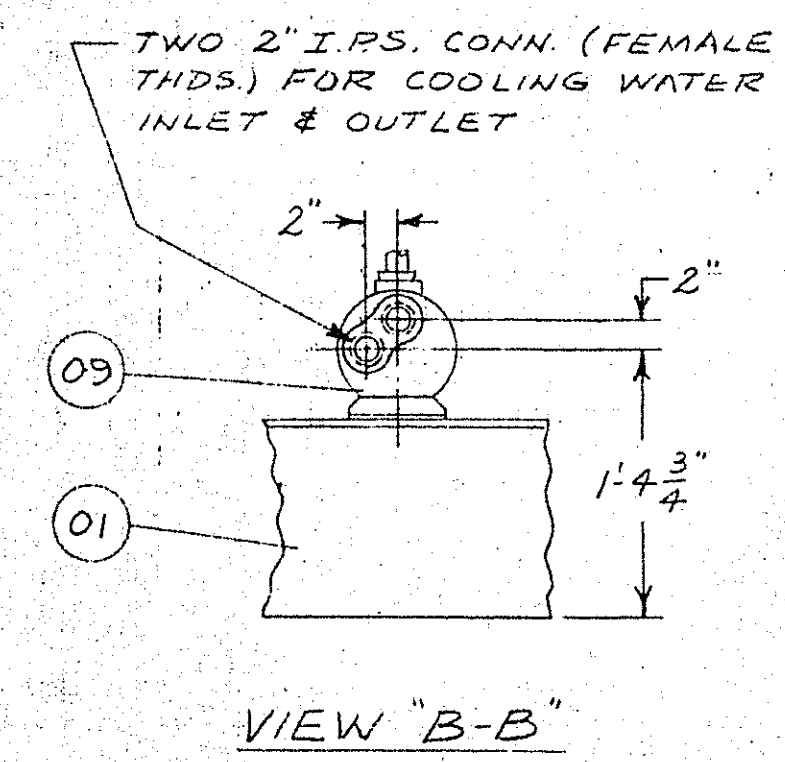
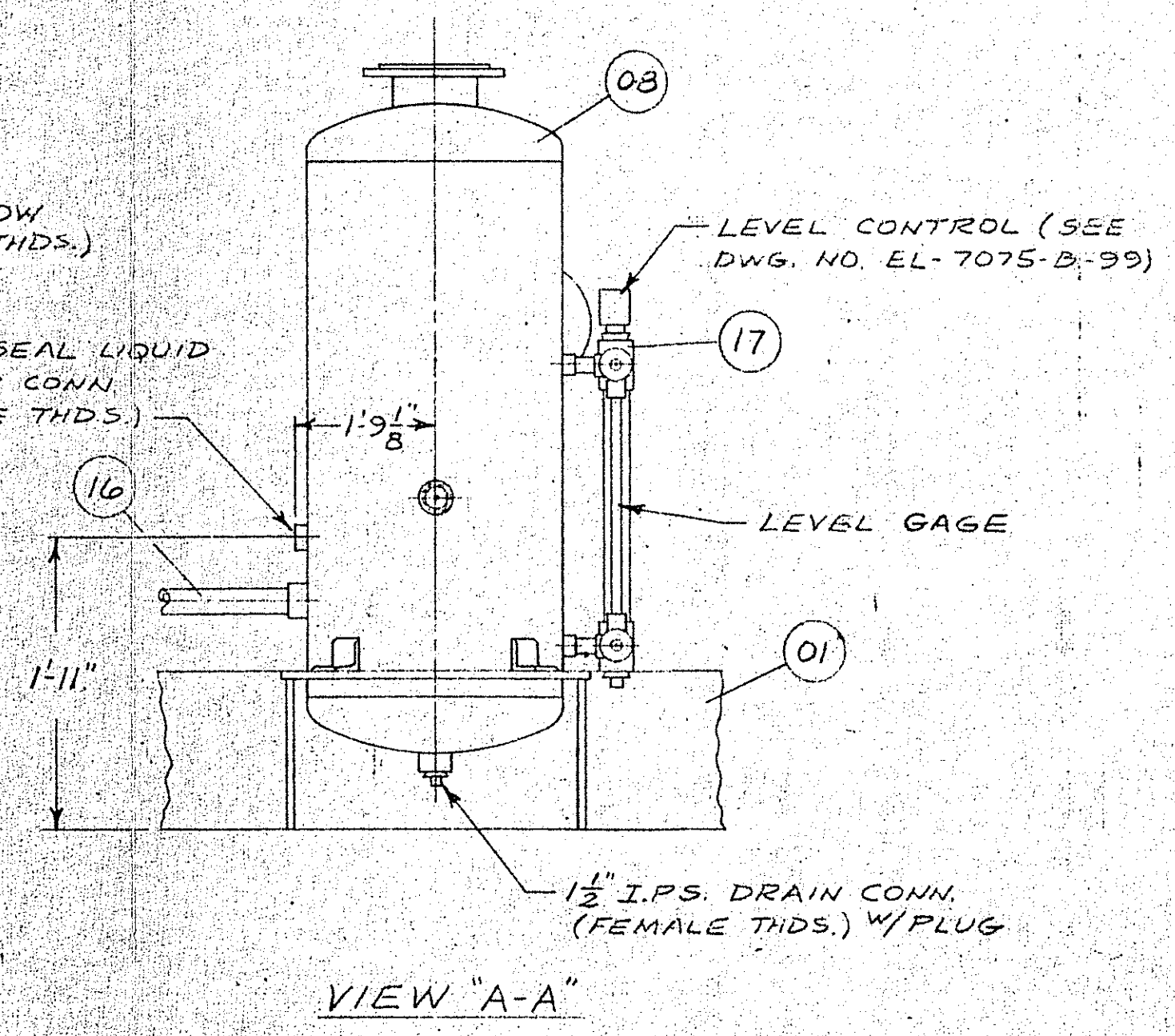
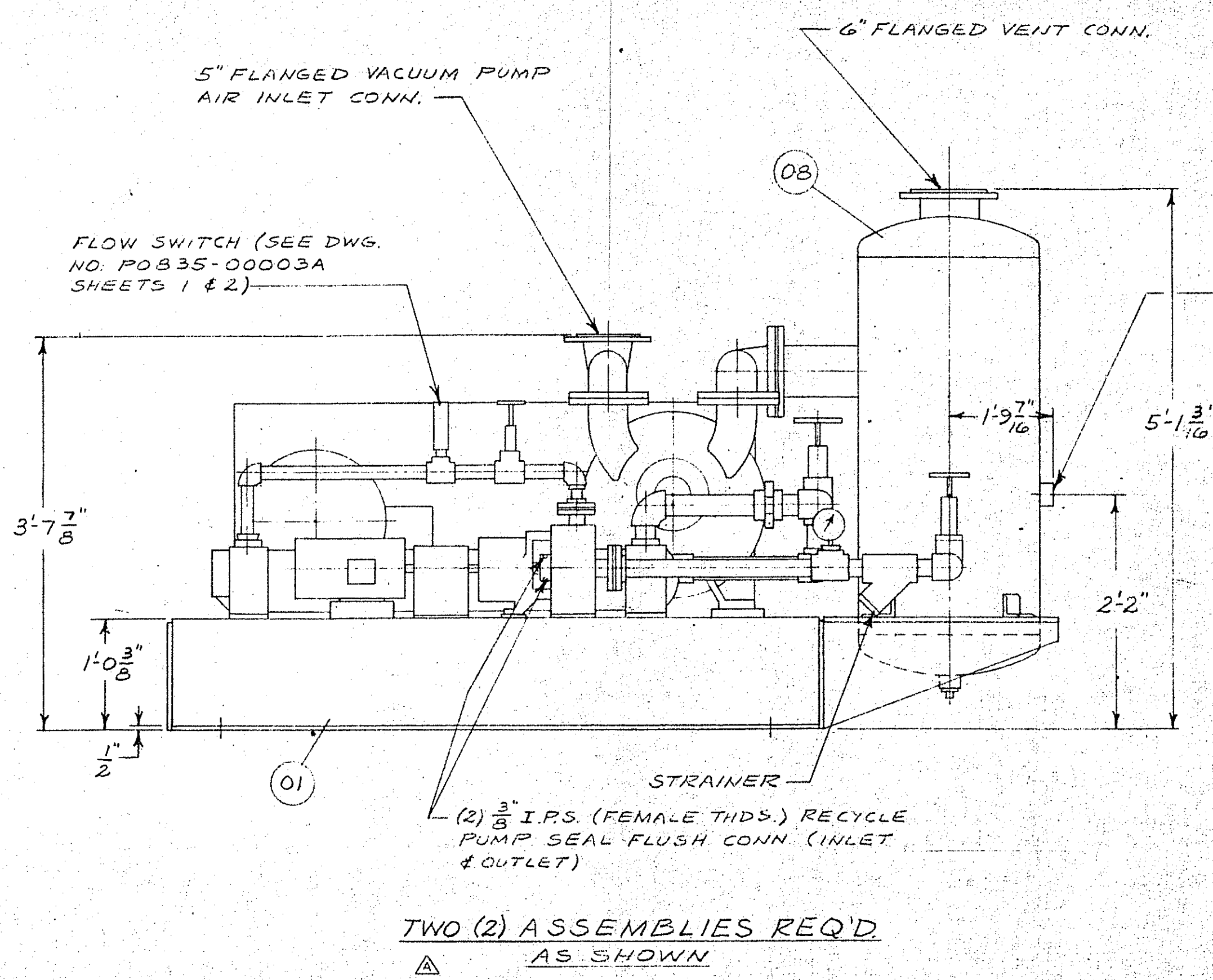


ITEM NO.	NO. REQ'D (PER UNIT)	DESCRIPTION
01	1	BASE
02	1	VACUUM PUMP, SIHI MODEL 70530
03	1	VACUUM PUMP MOTOR, 40 H.P., 1750 R.P.M.
04	1	VACUUM PUMP DRIVE SHEAVE
05	1	VACUUM PUMP DRIVEN SHEAVE
06	SET	VACUUM PUMP DRIVE BELTS
07	1	VACUUM PUMP DRIVE GUARD
08	1	SEPARATOR TANK, 20" DIA. x 42" HIGH
09	1	HEAT EXCHANGER, AMER. STD MODEL 06048
10	1	RECYCLE PUMP, GOULDS MODEL 3196ST-1X1 1/2-G
11	1	RECYCLE PUMP MOTOR, 1 H.P., 1750 R.P.M.
12	1	RECYCLE PUMP DRIVE COUPLING
13	1	RECYCLE PUMP COUPLING GUARD
14	1	PIPING, HEAT EXCHANGER TO VACUUM PUMP
15	1	PIPING, RECYCLE PUMP TO HEAT EXCHANGER
16	1	PIPING, SEPARATOR TANK TO RECYCLE PUMP
17	1	PIPING, LEVEL GAGE & CONTROL



- NOTES:
1. ALL FLANGED CONNECTIONS ARE 150 LB. R.F. AMER. ST'D.
 2. ALL SCREWED CONNECTIONS HAVE AMER. ST'D TAPERED PIPE THDS.
 3. UNIT MUST BE SET SO VACUUM PUMP IS LEVEL IN ALL DIRECTIONS.
 4. □ DENOTES CONDUIT BOX.
 5. APPROX. WEIGHT OF ASSEMBLY (EMPTY) = 4000 LBS.



FTV-351
 PGV-1165
 PGV-1166
 PCB-807
 PCB-23001
 SEP-297
 SEP-23000
 HEX-3704
 HEX-23001

FINAL

83-6221
 P. E646745B

DESIGNED	DRAWN	CHECKED	APPROVED	TITLE
	RJM	RJM	REF	SEAL WATER RECYCLE ASSEMBLY VACUUM PUMP
DATE	SCALE	FILE	REFERENCE DWG. NO.	SHT.
12-7-77	1"=1'-0"		P0835-00000DA	10882
KOMLINE-SANDERSON ENGINEERING CORPORATION PEAPACK, N. J.				JOB NO. I-866 10882

TWO (2) ASSEMBLIES REQ'D AS SHOWN