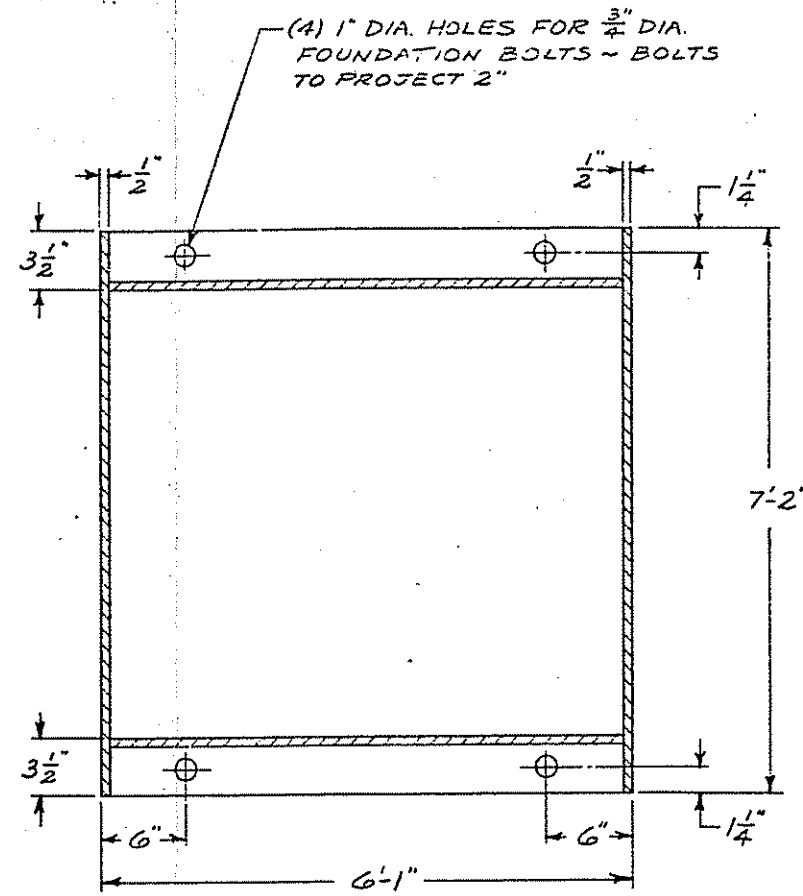
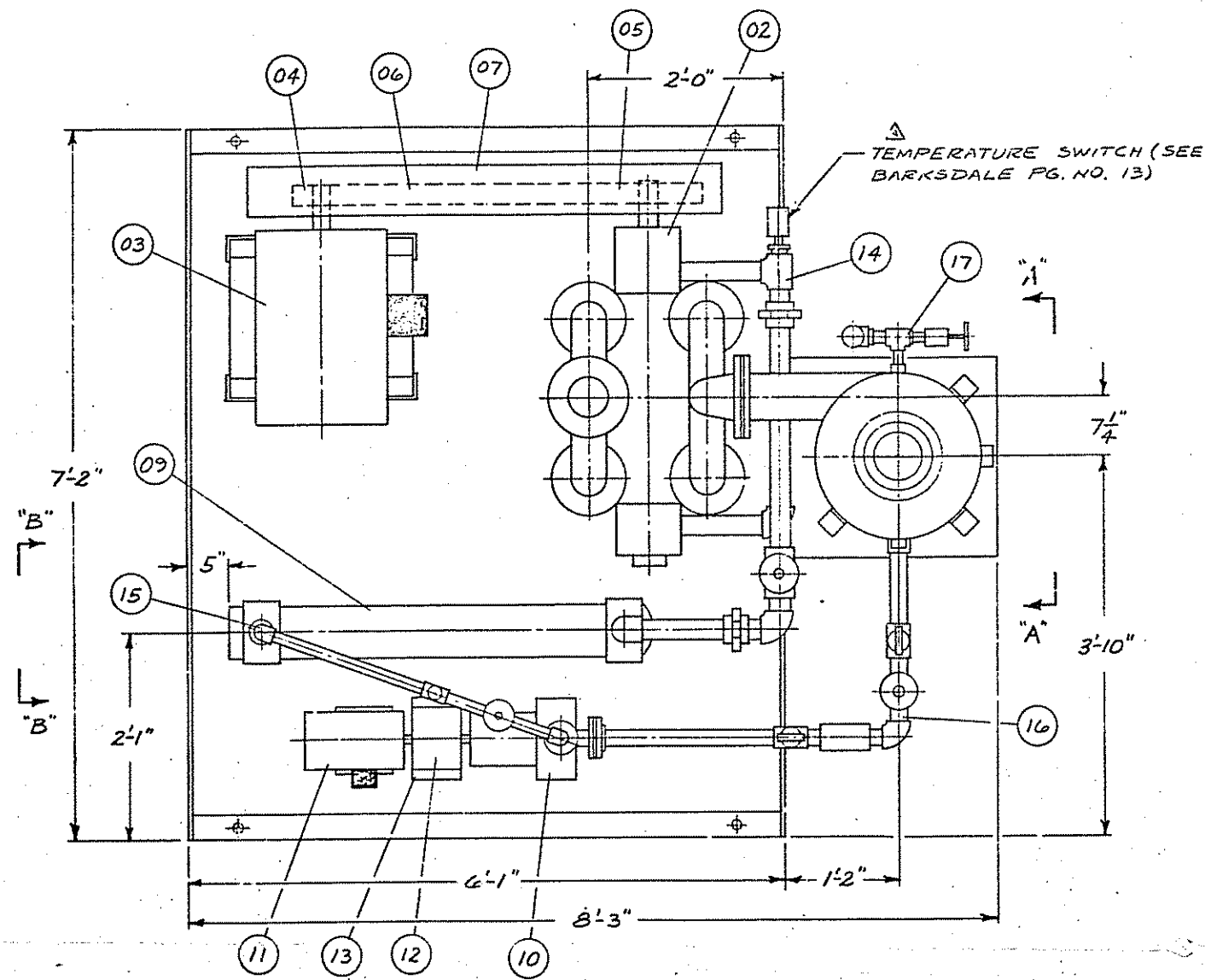


PARTS LIST - P0335-00000DA

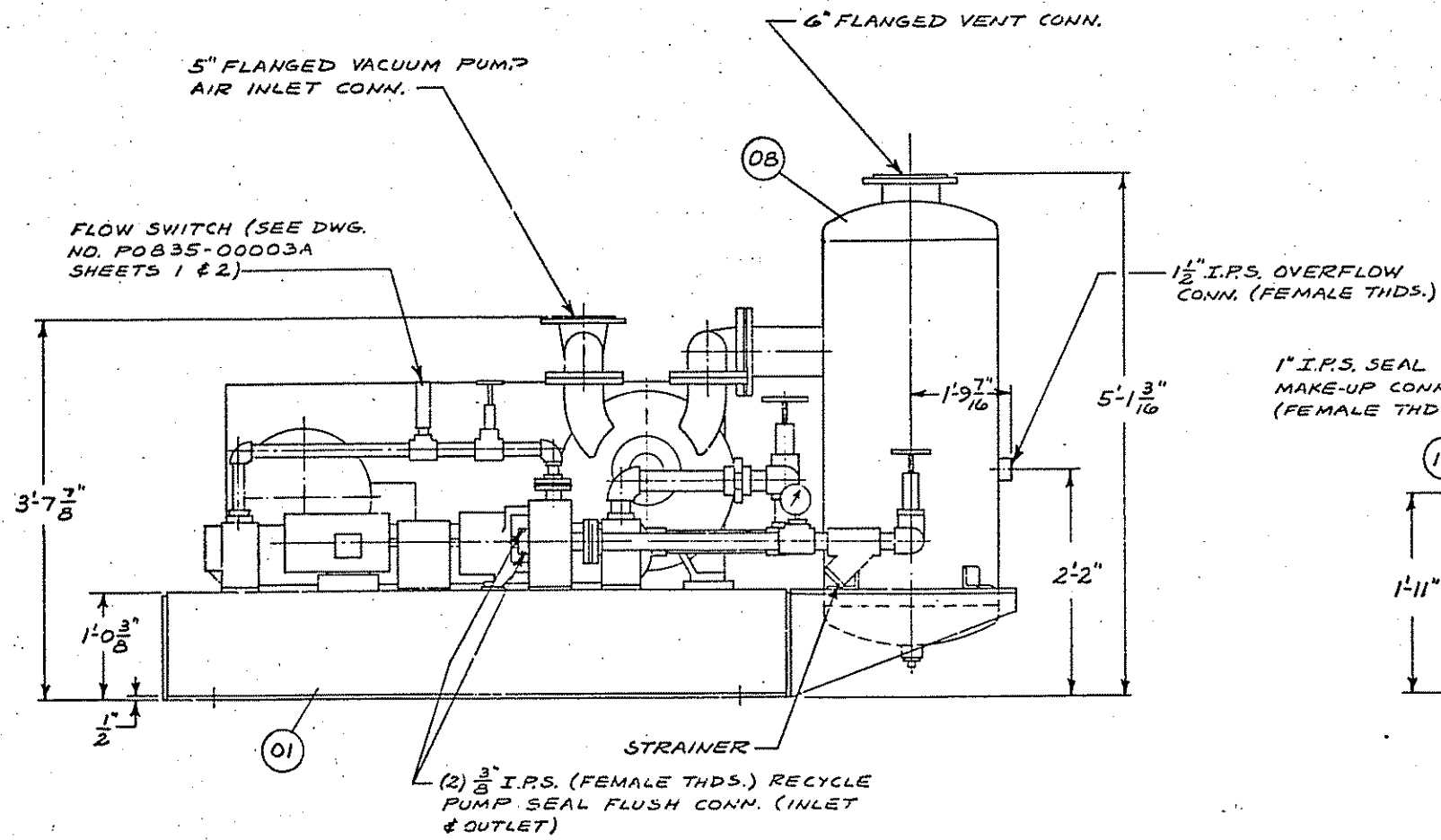
ITEM NO.	QTY. REQ'D (PER UNIT)	DESCRIPTION
01	1	BASE
02	1	VACUUM PUMP, S/MI MODEL 7053D
03	1	VACUUM PUMP MOTOR, 40 HP, 1750 R.P.M.
04	1	VACUUM PUMP DRIVE SHEAVE
05	1	VACUUM PUMP DRIVEN SHEAVE
06	SET	VACUUM PUMP DRIVE BELTS
07	1	VACUUM PUMP DRIVE GUARD
08	1	SEPARATOR TANK, 20" DIA. x 42 HIGH
09	1	HEAT EXCHANGER, AMER STD MODEL 0604B
10	1	RECYCLE PUMP, GOULDS MODEL 3196ST-1 1/2-G
11	1	RECYCLE PUMP MOTOR, 1 H.P., 1750 R.P.M.
12	1	RECYCLE PUMP DRIVE COUPLING
13	1	RECYCLE PUMP COUPLING GUARD
14	1	PIPING, HEAT EXCHANGER TO VACUUM PUMP
15	1	PIPING, RECYCLE PUMP TO HEAT EXCHANGER
16	1	PIPING, SEPARATOR TANK TO RECYCLE PUMP
17	1	PIPING, LEVEL GAGE & CONTROL



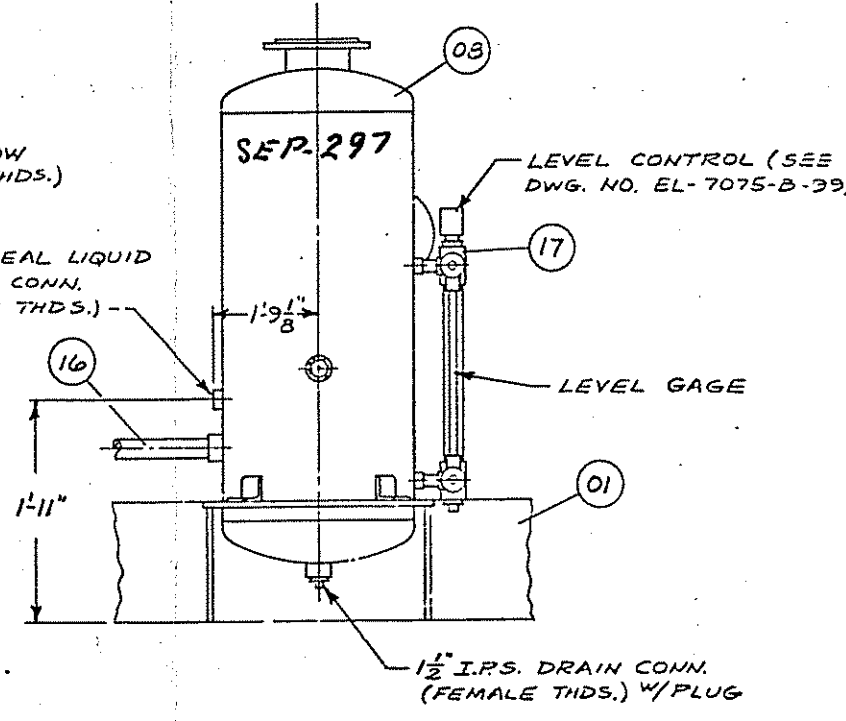
PLAN VIEW OF SUPPORT BASE

NOTES:

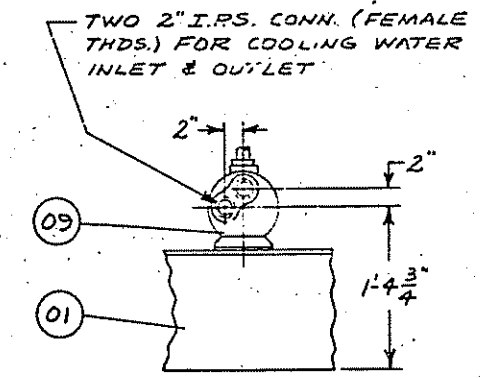
1. ALL FLANGED CONNECTIONS ARE 150 LB. R.F. AMER. ST'D.
2. ALL SCREWED CONNECTIONS HAVE AMER. ST'D TAPERED PIPE THDS.
3. UNIT MUST BE SET SO VACUUM PUMP IS LEVEL IN ALL DIRECTIONS.
4. [Symbol] DENOTES CONDUIT BOX.
5. APPROX. WEIGHT OF ASSEMBLY (EMPTY) = 4000 LBS.



TWO (2) ASSEMBLIES REQ'D AS SHOWN



VIEW "A-A"



VIEW "B-B"

Note: Print may be reduced size, check before scaling dimensions

FOR APPROVAL

KOMLINE-SANDERSON ENGINEERING CORP.  
PEAPACK, N. J.

INDICATE APPROVAL AND/OR COMMENTS ON EACH ITEM AND RETURN ONE COPY OF EACH DRAWING TO KOMLINE-SANDERSON, ATTENTION: P.A. DEPARTMENT. ORDER PROCESSING MAY BE DELAYED PENDING APPROVAL.

CUSTOMER: HOFFMAN-LAROCHE INC  
CUST. ORDER E-646745B AND ORDER I866  
BY: R. L. PETERO DATE JUN 22 1973

REV.	DATE	BY	CHKD.	APP'D.	DESCRIPTION
A	12-7-77	WJE			ISSUED FOR JOBS
B	1-8-78	WJE			2-835
C	2-8-78	WJE			2-866 (A)

THIS DRAWING REPRESENTS THE DESIGN AND ENGINEERING EFFORTS OF THE KOMLINE-SANDERSON ENGINEERING CORPORATION. IT IS ISSUED IN COMPLIANCE AND MUST BE RETURNED ON DEMAND. ANY USE INVIOLATION OF THE INTERESTS OF THE KOMLINE-SANDERSON ENGINEERING CORPORATION IS PROHIBITED. IT MUST NOT BE LOANED, COPIED OR REPRODUCED WITHOUT PERMISSION.

TITLE	DESIGNED	DRAWN	CHECKED	APPROVED	DATE	FILE
SEAL WATER RECYCLE ASSEMBLY VACUUM PUMP					12-7-77	
					SCALE	
					1"=1'-0"	

REFERENCE DWG. NO. P0335-00000DA

JOB NO. I-866

KOMLINE-SANDERSON ENGINEERING CORPORATION PEAPACK, N. J.

PGV-1165-1