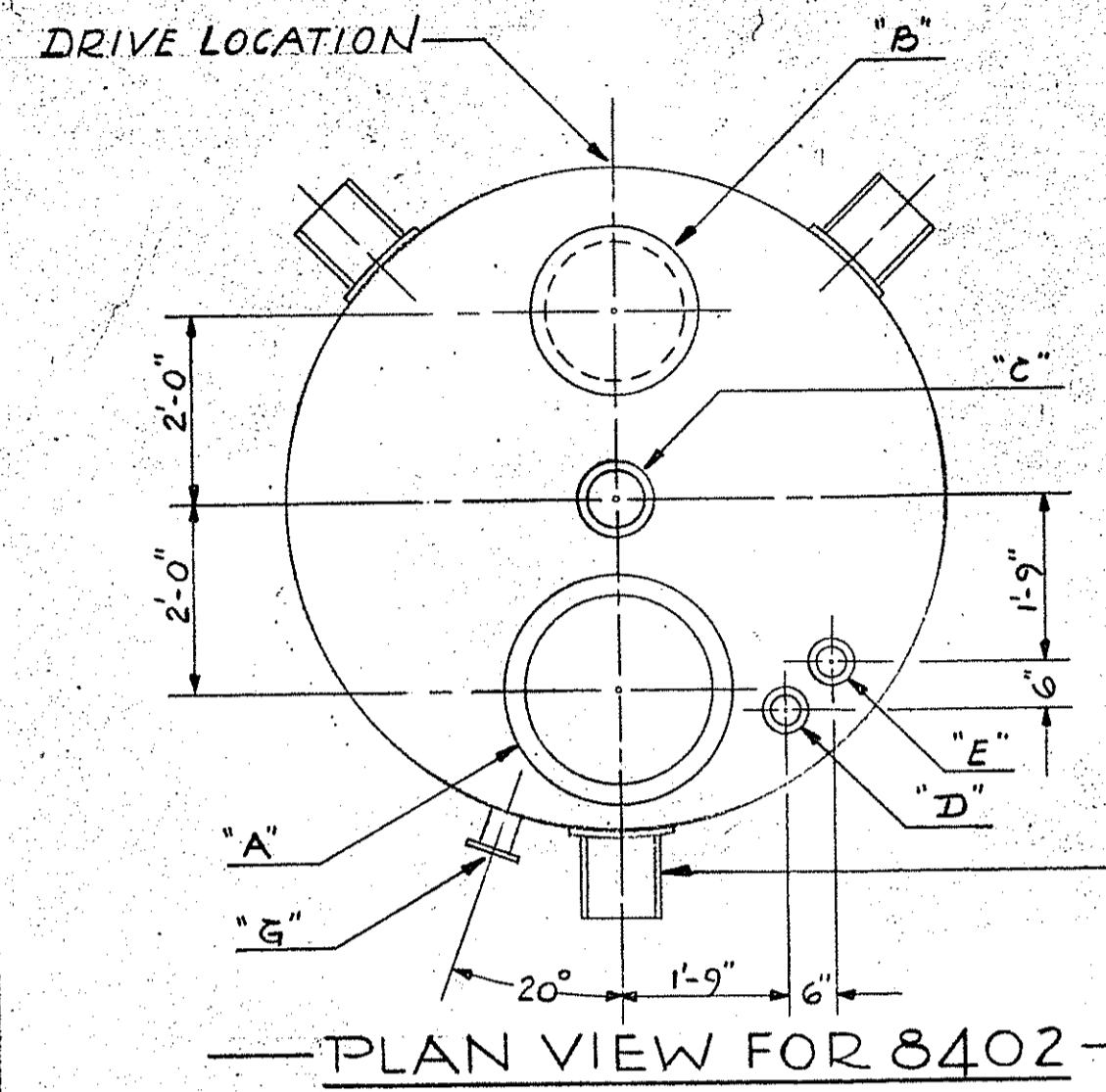


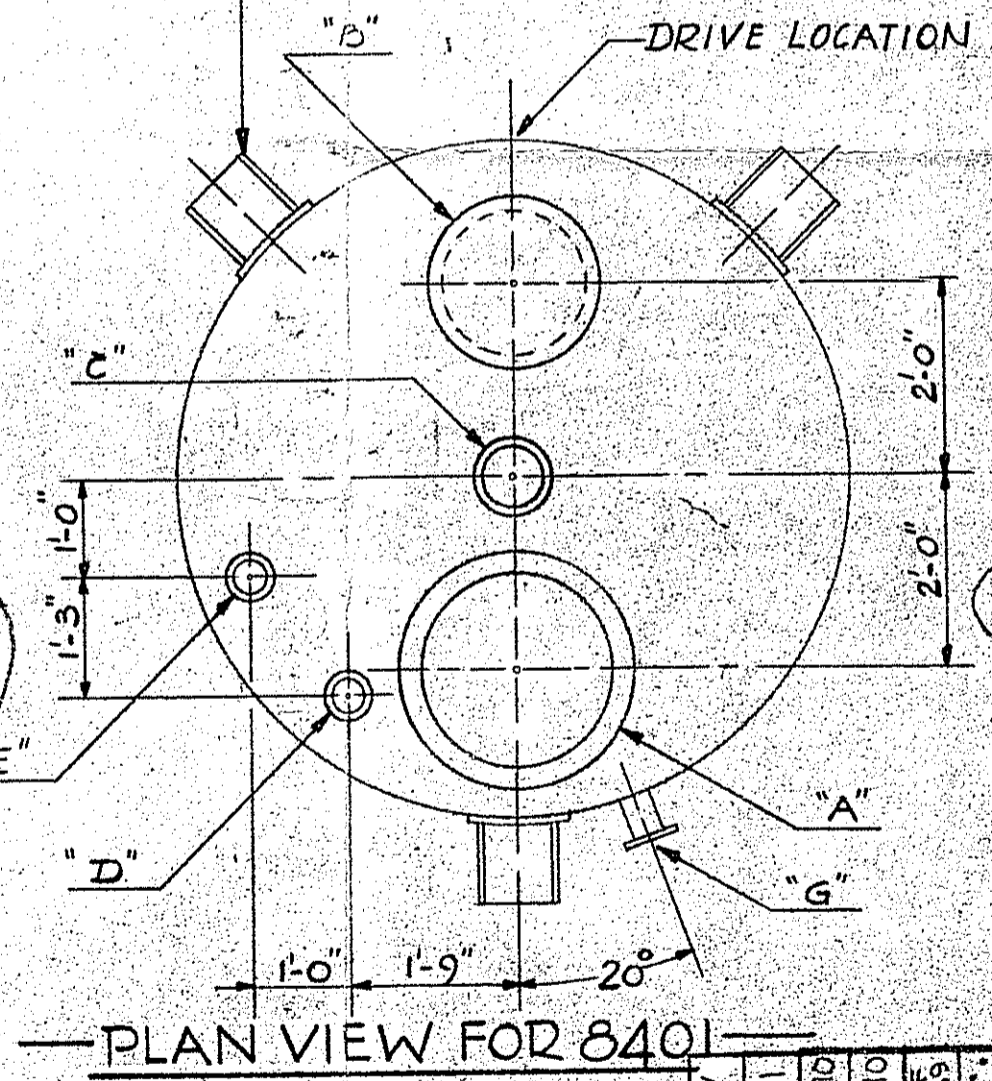
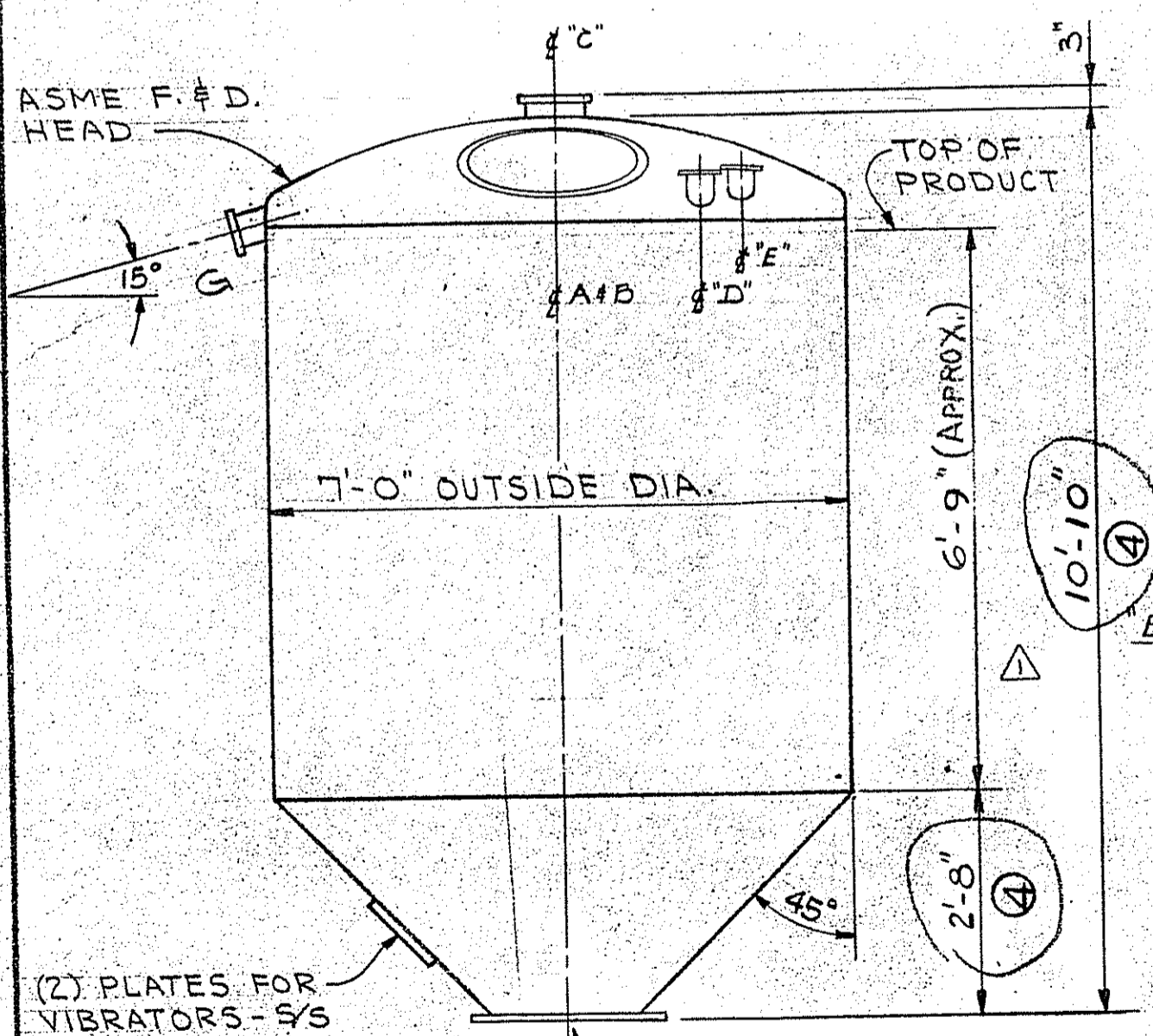
**NOTES:**

1. ORIENTATION OF CONNECTIONS TO BE FINALIZED ON VENDORS APPROVAL PRINT.
2. SUPPORTS MUST BE DESIGNED TO BE USED WITH LOAD CELLS OR OTHER APPROVED WEIGHING SYSTEM.

\* QUICK DISCONNECT TYPE FLANGE.



PLAN VIEW FOR 8402



PLAN VIEW FOR 8401

(3) SUPPORTS w/ BACKUP PLATES, AS REQUIRED BY WEIGHING SYSTEM. (SEE NOTE #2)

**GENERAL NOTES**

| CONDITIONS:      | Vessel        | Jacket   | Coil     |
|------------------|---------------|----------|----------|
| Design Press:    | PSIG: 15 Op   | PSIG: Op | PSIG: Op |
| Operating Press: | PSIG: AMB. Op | PSIG: Op | PSIG: Op |

BURSTING, CHECK PRESSURE AT ULT. STR. = 150 PSIG

**MATERIALS:**  
 Shell & Heads: S/S 316L  
 Jacket: \_\_\_\_\_  
 Coil: \_\_\_\_\_  
 Bolting: S/S  
 Gaskets: TEFLON ENVELOPE OR WHITE NEOPRENE  
 Supports: S/S LUGS W/ S/S BACK UP PL.

**CORROSION ALLOWANCE: (Thickness)**

|         |              |              |
|---------|--------------|--------------|
| Shell:  | Top Head:    | Bottom Head: |
| Jacket: | Jacket Head: | Coil:        |

**CONSTRUCTION:**  
 Code: ASME Radiograph \_\_\_\_\_  
 Stress Relief: \_\_\_\_\_  
 Testing: HYDROSTATIC  
 Inspection: BY CONT.  
 Stamping: \_\_\_\_\_

**NOZZLE PROJECTION:** \_\_\_\_\_ Inches

**PAINTING:** All C/S exterior surfaces to be finished with (1) one coat of socony No. 13-R-48 Solvalex Red Lead Primer or equal. No paint to be applied to any alum. or S/S surfaces.

**INSULATION SUPPORTS:** Are not required.  
**CAPACITY:** Operating 0 - 2,250 Gal. 0-100 \$ Full  
 Full 2,250 Gal.

**ESTIMATED WEIGHT:**  
 Empty 3,300 Lb. Pull of H<sub>2</sub>O 18,500 Lb.  
 Operating 19,000 Lb. Full of Product 19,000 Lb.

**REMARKS:**

**REFERENCE DRAWINGS**

| Mark | No. Req'd | Size | Rating     | Pacing | Remarks:                      |
|------|-----------|------|------------|--------|-------------------------------|
| M    |           |      |            |        |                               |
| L    |           |      |            |        |                               |
| K    |           |      |            |        |                               |
| J    |           |      |            |        |                               |
| H    |           |      |            |        |                               |
| G    | 1         | 4"   | *          |        | VENT AIR BREATHER             |
| F    | 1         | 20"  | 150*       | F.F.   | PRODUCT OUTLET 27 1/2" FLANGE |
| E    | 1         | 4"   | *          |        | PRODUCT INLET                 |
| D    | 1         | 4"   | *          |        | PRODUCT INLET                 |
| C    | 1         | 8"   | *          |        | C.I.P. & PRODUCT INLET        |
| B    | 1         | 18"  |            |        | MANHOLE                       |
| A    | 1         | 24"  | 150* FLUSH | F.F.   | RUPTURE DISC CONNECTION       |

**PRINT MADE**  
 APR 1 - 1971  
 ARTHUR G. MCKEE & CO.  
 CHICAGO, ILLINOIS

| No. | Description          | Revised by      | Appr. by |
|-----|----------------------|-----------------|----------|
| 4   | ADDED 27" L.D. VALVE | C/S 3-25-71     |          |
| 3   | REDRAWN              | AFW 1-4-71      |          |
| 2   | REV. FACING & RATING | R.H. 12-15-70   |          |
| 1   | REV. DIM.            | R.H. 12-3-70    |          |
| 0   | RELEASED FOR BID     | GEN/ISE 6-15-69 |          |

**Fitting Schedule**

HOFFMANN-LA ROCHE INC.  
 NUTLEY, NEW JERSEY

**VESSEL SPECIFICATION**

|                         |               |  |
|-------------------------|---------------|--|
| Proc.                   | Eng.          | Title: S/S STORAGE BIN 300 FT <sup>3</sup> W/EXCITER |
| Appr. by Date           |               |  |
| Prpd. by Date           |               |  |
| Pos. No. B3-8401 & 8402 | No. Req'd 2   |  |
| Seals: 1/2" = 1'-0"     | Bltg. No. 214 | Drawing No. 55K-66C-804                              |