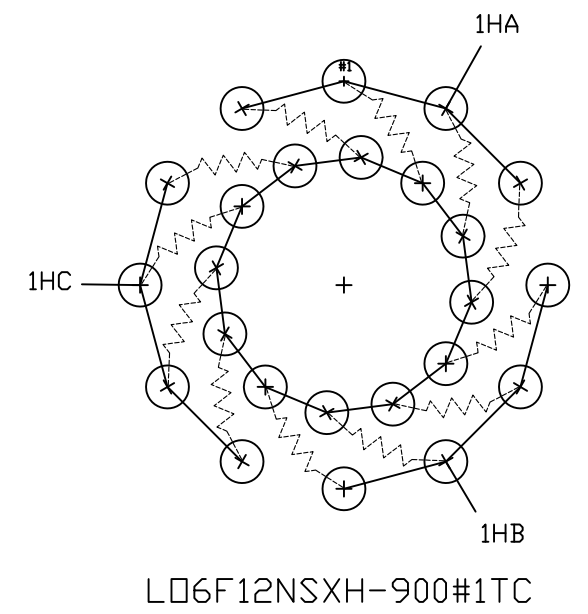
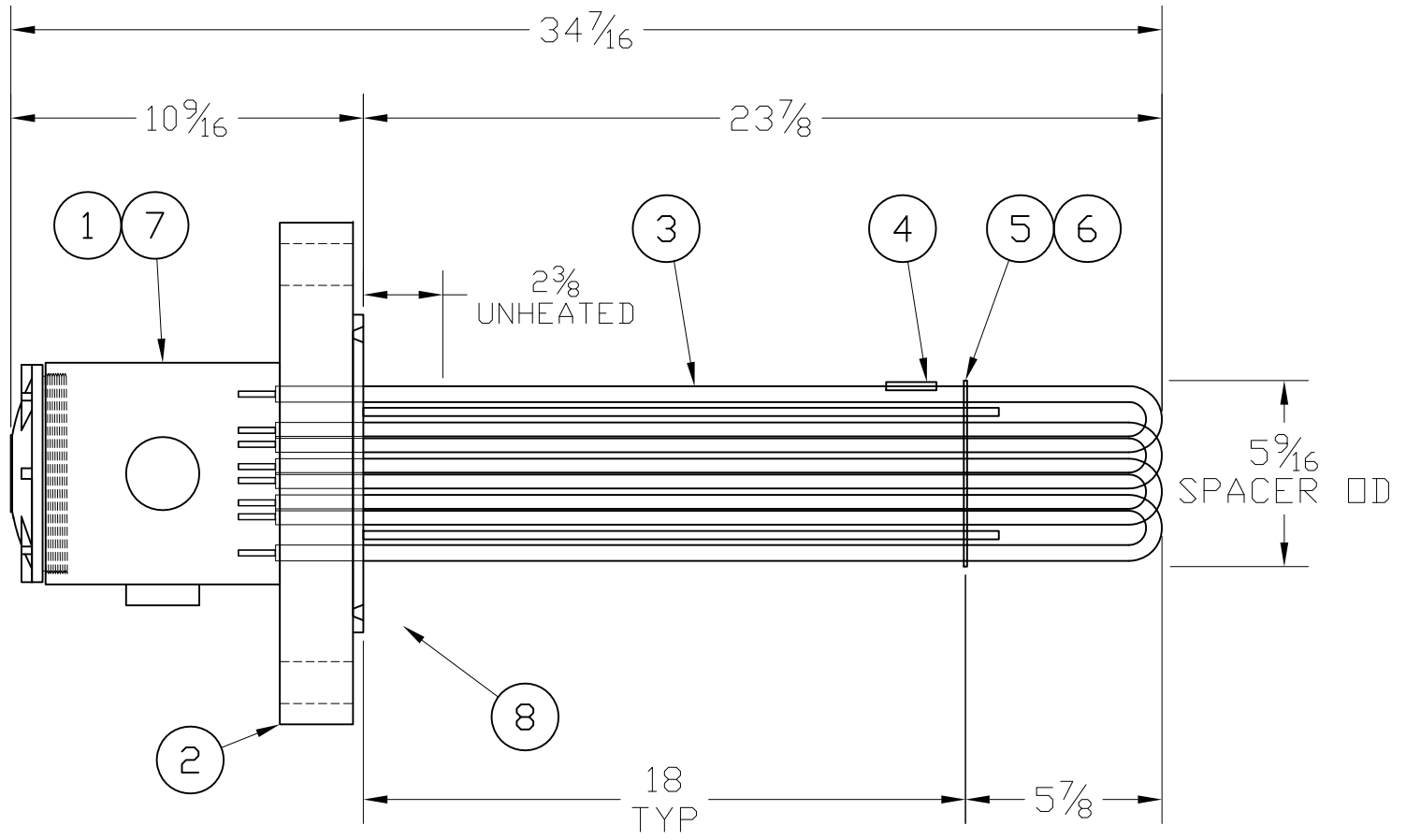


All Dimensions Are In Inches Unless Indicated Otherwise

QTY-2

REV.	DATE	COMMENT	BY	APPD
A	09/25/13	ISSUED FOR APPROVAL	DS	JL
0	10/04/13	ISSUED FOR CONSTRUCTION.	DS	JL
1	12/31/13	CERTIFIED AS BUILT	AG	DD



PROCESS CONDITIONS	
FLUID	N + H
QTY	4200 lbs/hr
INLET °F	450
OUTLET °F	470
INLET PSIG	110-1040
DESIGN °F	650
DESIGN PSIG	1250
CORR. ALLOW	0
HEATER ASSEMBLY	
VOLTS	480
PH	3
kW	12
# CIRC.	1
OHMS/CIRC.	38.40
AMPS/CIRC.	14.43
AMPS + 25%	18.04
FUSE SIZE	20 A
CUST. CONN.	Direct to Bussing
LEAD WIRE SIZE	14 Ga
LEAD WIRE TYPE	RHTW / 300°C
HEATER ELEMENTS	
PART NO.	25H4
KW	3
RATED VOLTS	480
RESISTANCE	76.80
HOUSING DETAIL	
PART NO.	ER06
SIZE	6"
MATERIAL	106B
AREA CLASS.	CI 1 Div 1 Gr BCD
APPROVAL	CSA
PWR. CONDUIT SIZE	1 1/2"
PWR. CONDUIT QTY.	2
INST. CONDUIT SIZE	1 1/2"
INST. CONDUIT QTY.	1
DWG. REF.	NA

GENERAL NOTES:

- HYDRO-TEST HEATERS AT 1625 PSI PER ASME SECTION VIII DIV I UG-99.
- CLEAN AND PAINT HEATER HOUSING ONLY PER GAUMER SPEC P-200.5 HI-HEAT ALUMINUM.
- BUNDLE IS DESIGNED TO FIT 6" SCH 80 NOZZLE.

REDUCTION TRIM HEATERS 2 & 3	
SERIAL NO.	ITEM NO.
13-18232B	EH-2470
13-18232C	EH-2420

ITEM NO.	BILL OF MATERIALS			
	QTY	DESCRIPTION	MATERIAL	PART NO.
1	1	HEATER HOUSING - 6" ER With (3) 1 1/2" FNPT	SA-106 B	ER06
2	1	HEATER FLANGE - 6" 900# RTJ Blind	SA-182F304	
3	12	ELEMENTS - 3 kW, 480 V, 26.5" Sheath, 5" Unheated	Incoloy 800	25H4
4	1	OVERTEMP SENSOR - Type "K" Thermocouple	Inconel 600	TCK-5-30SD-HT
5	1	ELEMENT SPACERS - 12 Ga. (LOSP6F15NSXH)	SA-240T304	
6	3	SPACER SUPPORT RODS - 1/4" Rnd Bar, 19" Long	SA-479T304	
7	1	COMPRESSION FITTING - 1/8" Tube x 1/8" SW Pipe	316	CWCT2-2P-S316
8	1	HEATER GASKET - 6" 900# RTJ Oval Ring	Soft Iron	R-45

**GAUMER PROCESS** HEATERS CONTROLS SYSTEMS  
 www.gaumer.com (800)460-5200 Houston, Texas  
 CAT. NO. IFS96F12N25H4YERK  
 480 VOLTS 3 PH 12 KW SERIAL NUMBER 13-18232B/C  
 TEMP CODE/MAX OPER. T2  
 CL. 1 DIV. 1 OR B,C,D CL. II OR III  
 USE SUPPLY WIRE SUITABLE FOR AT LEAST 300°C CAUTION A SEAL IS REQUIRED WITHIN 75MM OF THE ENCLOSURE PRECAUTION UTILIZANDO EN PELIGROSA LA LOCALIZACION USO DE UN REGULADOR LLAMADO Y25 DE UNA TEMPERATURA LIMITEADO APROBADO CONTROLADOR REQUERIDOS REFERIR A INSTALACION AND OPERATION MANUAL FOR-01 OR FOR-04

- CSA NOTES:  
 1. HYDRO TEST TERMINAL HOUSING @ 300 PSIG FOR ONE MINUTE.  
 2. HI-POT TEST EACH HEATER CIRCUIT @ 2352 VOLTS FOR ONE SECOND.  
 3. THREAD TOLERANCE FOR HOUSING CONDUIT IS 1/2 TO 3/2 TURNS PAST GAUGE NOTCH.  
 4. THE TEMPERATURE RATING FOR ALL ELECTRICAL CONDUCTORS ENTERING THE TERMINAL ENCLOSURE MUST BE EQUAL TO OR GREATER THAN THE SUPPLY WIRE RATING STAMPED ON THE NAMEPLATE.  
 5. THE TEMPERATURE CODE AND OR MAXIMUM OPERATING TEMPERATURE IS DETERMINED BY THE MAXIMUM SETTING OF A CERTIFIED TEMPERATURE CONTROLLER.

**GAUMER PROCESS**  
 13616 Hempstead Road Houston, Texas USA  
 Phone (713) 460-5200 Fax (713) 460-1444

SCALE	NONE	DRAWING NO.	18232B13-ME-FAB-02	REV	1	DWG BY	DS
DATE	09/24/13						
DESCRIPTION	IFS96F12N25H4YERK 480V 3PH 12kW 15 WATTS SQ/IN.						
CUSTOMER	BERON FUELS DME SOLUTIONS PO# GAU-17SEP13						
DISTRIBUTION							
MANUFACTURING		ADMINISTRATION			OTHER		
FAB	0	MACHINE	0	PURCHASING	0	ROUTING	0
PANEL	0	HEATER	0	QC	0	PROJECT MGR.	0
						CUSTOMER	1
						FILE	1

NOTICE: This drawing is the property of Gaumer Company Inc.. No Copies or unauthorized distribution is allowed without permission.