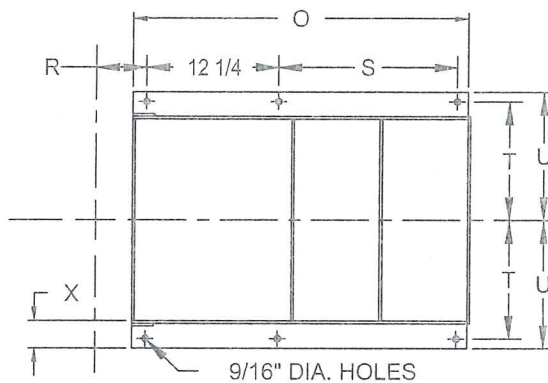
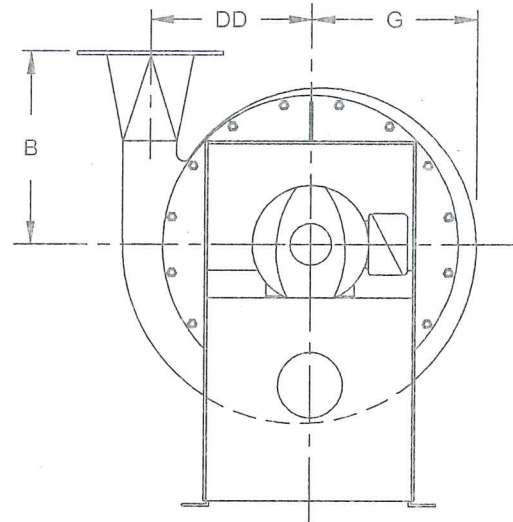
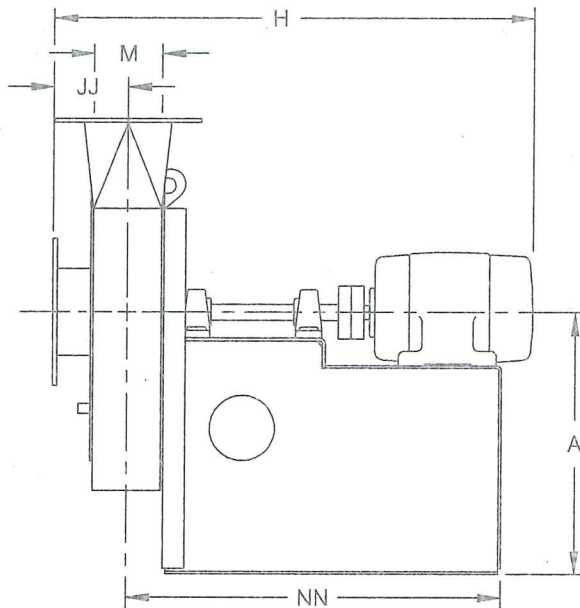


AMERICAN ECO COAL

PURCHASE ORDER: PM25050-M0004-01

K-404



INLET AND OUTLET FLANGES ARE 3/8" THICK MATERIAL.

PRESSURE BLOWERS ARE ROTATABLE IN THE FIELD BY 22 1/2° INCREMENTS.

FURNISHED WITH FLANGED INLET AND OUTLET WHICH FITS ANSI 150 PIPE FLANGES.

MAXIMUM TEMPERATURE :  
200°F (93°C) - ALUMINUM WHEEL  
300°F (149°C) - STEEL WHEEL

STATIC LOAD = 1136 LBS.  
DYNAMIC-DY = 534 LBS.  
DYNAMIC-DX = 534 LBS.  
DYNAMIC-DZ = 213 LBS.  
WITH ALL 38.8" SP AT INLET.

WHEEL WEIGHT = 54.21 LBS.

ITEM	DIMENSIONS	
	in	mm
A	26 5/8	676
B	23	584
DD	17 5/8	448
G	18 1/4	464
H	54 3/8	1381
JJ	7 1/4	184
M	7 1/4	184
NN	43 7/8	1114
R	5	127
S	25 3/8	645
T	10 7/8	276
U	11 3/4	298
O	39 7/8	1013
X	2 1/2	64
SHAFT DIA. WHL	1 7/16	37
KEYWAY @ WHL	3/8	-

FLANGED OUTLET	DIMENSIONS	
	in	mm
I.D.	10	254
B.C.	14 1/4	362
O.D.	16	406
NO. HOLES	12	-
DIA. HOLES	1	25

FLANGED INLET	DIMENSIONS	
	in	mm
I.D.	10	254
B.C.	14 1/4	362
O.D.	16	406
NO. HOLES	12	-
DIA. HOLES	1	25

ITEM	DIMENSIONS	
	in	mm
Size	8S	-
BORE@FAN	1 7/16	37
KEY @ FAN	3/8 x 3/16	-
BORE@MOTOR	1 5/8	41
KEY @ MOTOR	3/8 x 3/16	-

# Flange is FF

TOLERANCE: ±1/8" (±3mm)

**nyb** THE NEW YORK BLOWER COMPANY  
7660 Quincy Street  
Willowbrook, IL 60527-5530

Visit us on the Web:  
<http://www.nyb.com>  
Phone: (800) 208-7918  
Email: [nyb@nyb.com](mailto:nyb@nyb.com)

Pressure Blower A8  
SIZE: 2410S CW UB

Date 01-11-13 Certified DCB

Drawing No. H02684-009-2A Rev.