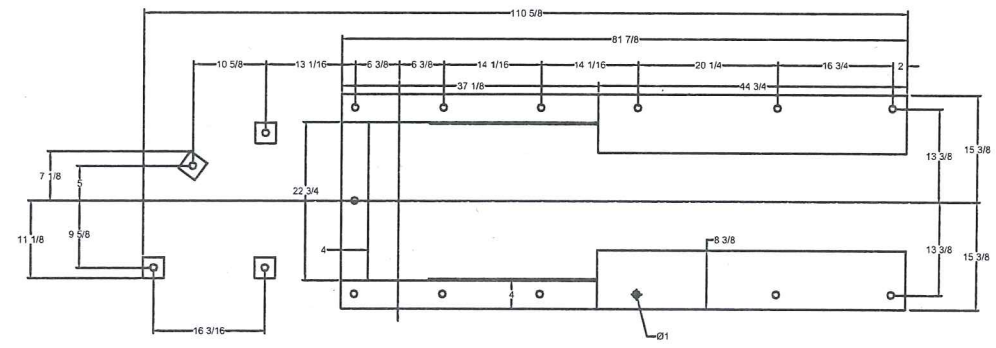
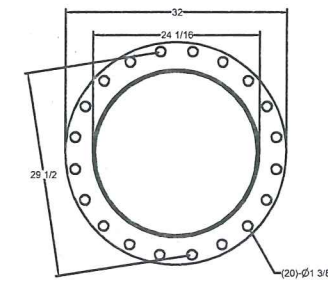
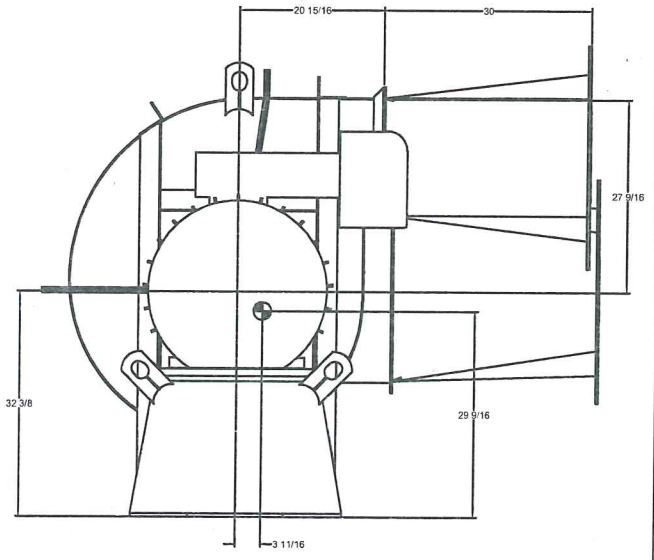
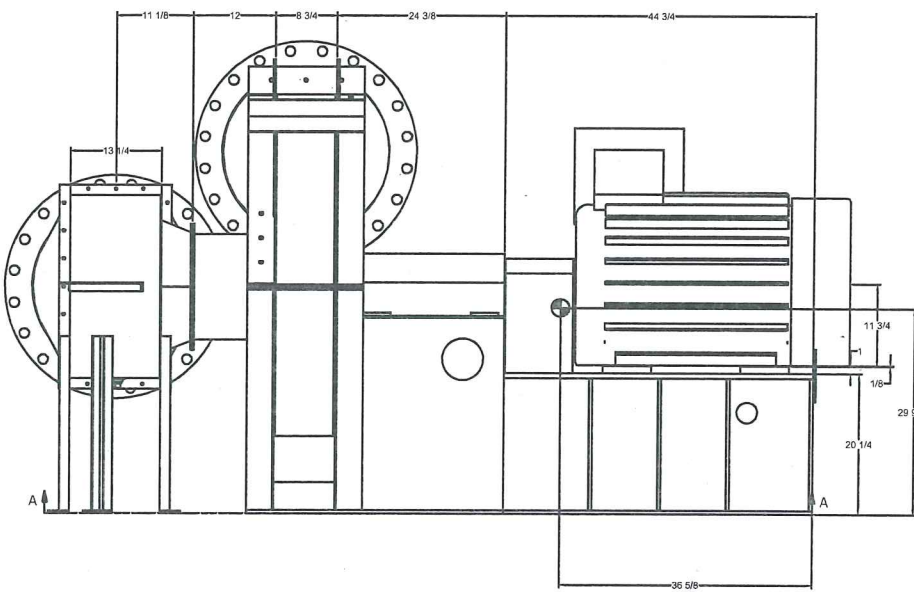
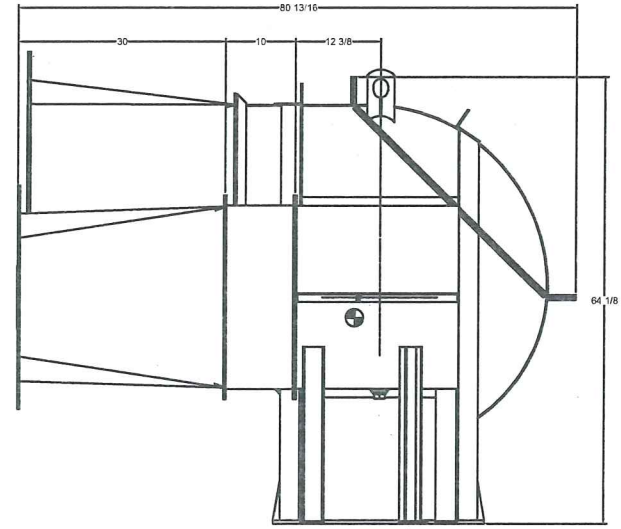
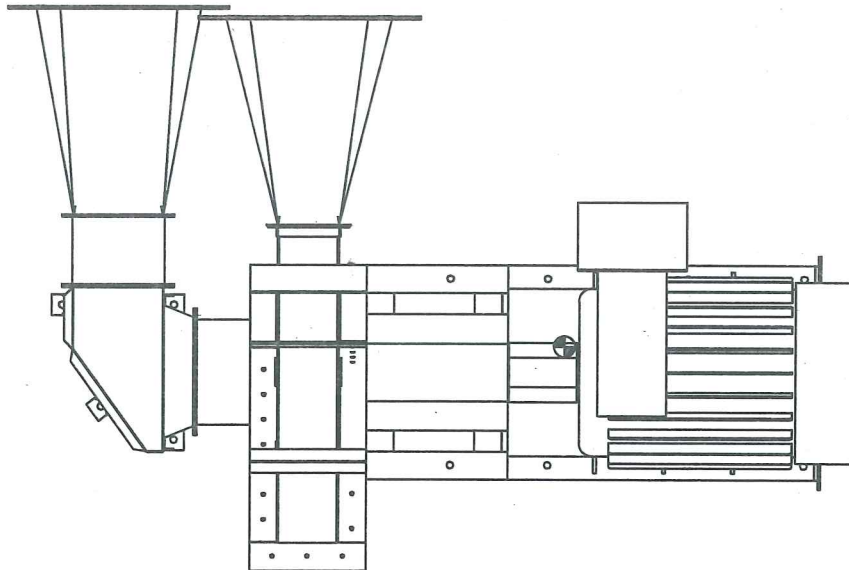


Static - 5100 lbs.
 Dynamic - Dy (radial in vertical direction) = 421 lbs
 Dx (radial in horizontal direction) = 421 lbs
 Dz (thrust) = 461 lbs (with all 43.8" SP at inlet)

Wheel Weight 100lbs



Flge is FF

CUSTOMER: AMERICAN AGG CORP	
CUSTOMER NO: 200505-1003821	
FILE NO: 1003821	
TAGLINE: 1003821	
750 SER 60 CW TH ARR 8 100% NY 100.3% DIA	
DRAWN: JVD	DATE: 10/20/05
DESIGNED: JVD	DATE: 10/20/05
CHECKED: JVD	DATE: 10/20/05
APPROVED: JVD	DATE: 10/20/05