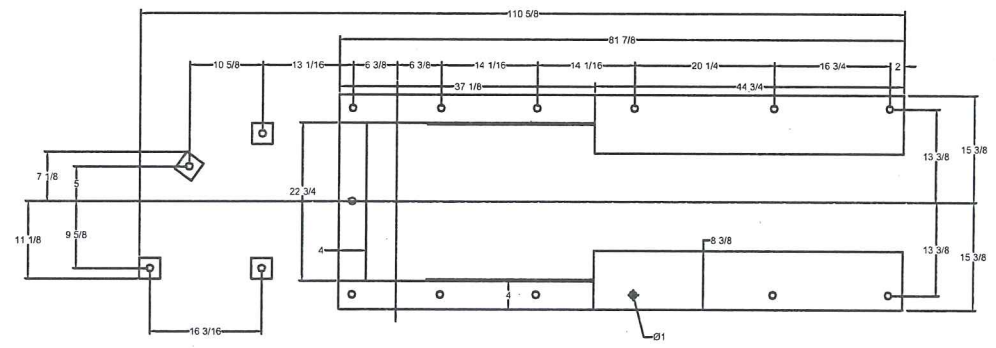
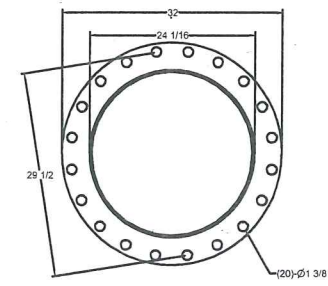
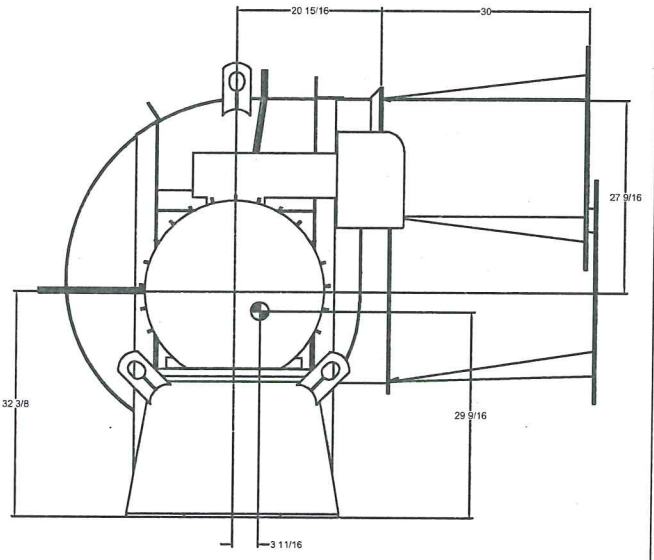
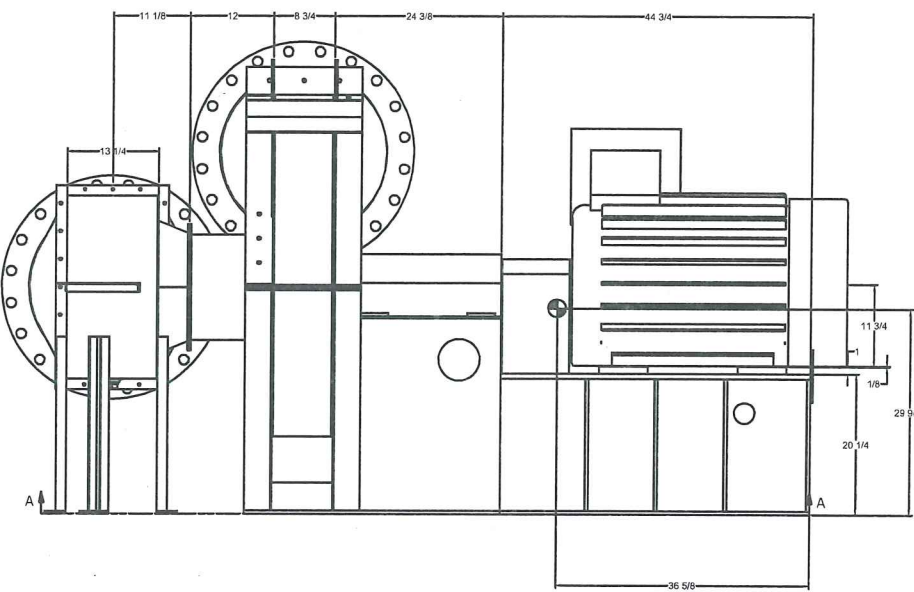
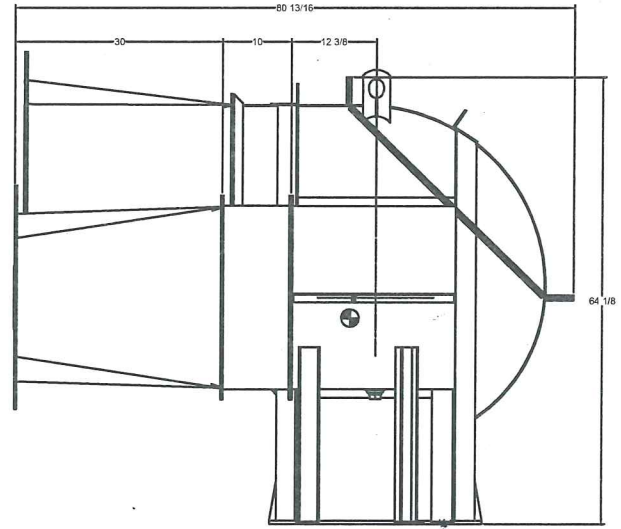
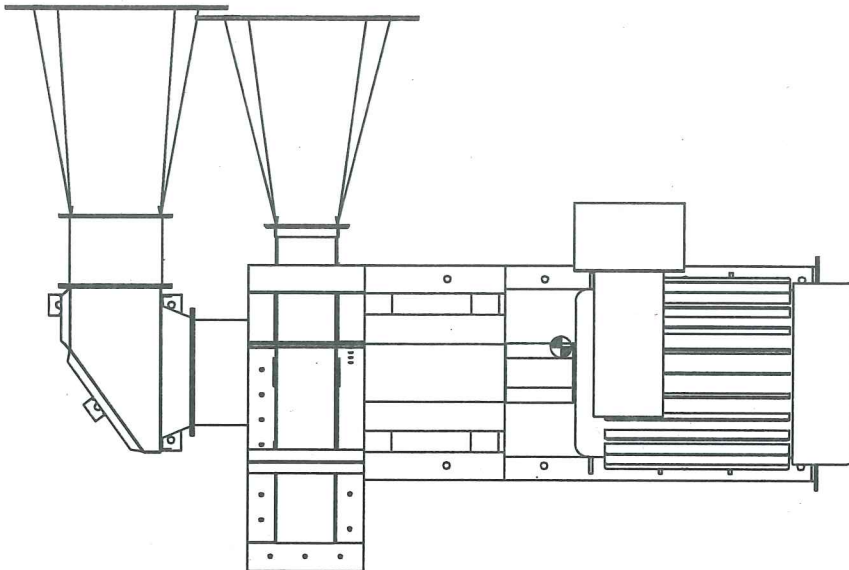


Static - 5100 lbs.
 Dynamic - Dy (radial in vertical direction) = 421 lbs
 Dx (radial in horizontal direction) = 421 lbs
 Dz (thrust) = 461 lbs (with all 43.8" SP at inlet)
 Wheel Weight 100lbs



Flange is FF

CUSTOMER: AMERICAN ESCO.COM	CUSTOMER NO.: 200202-10000001
FILE NO.: 10201004	TAGGING: 6007
NOTES: THIS DRAWING IS THE PROPERTY OF AMERICAN ESCO. IT IS TO BE USED ONLY FOR THE PROJECT AND FOR THE SPECIFIC PARTS LISTED THEREIN. IT IS NOT TO BE REPRODUCED, COPIED, OR TRANSMITTED IN ANY FORM OR BY ANY MEANS, ELECTRONIC OR MECHANICAL, INCLUDING PHOTOCOPYING, RECORDING, OR BY ANY INFORMATION STORAGE AND RETRIEVAL SYSTEM, WITHOUT THE WRITTEN PERMISSION OF AMERICAN ESCO.	
750 SER 60 CW TH ARR 8 100% NWY 100.3% DIA	
DRAWN: CJD	DATE: 03/05/15
DESIGNED: J. L. WILSON	DESIGNED: J. L. WILSON
APPROVED: J. L. WILSON	APPROVED: J. L. WILSON
REV: 001	REV: 001