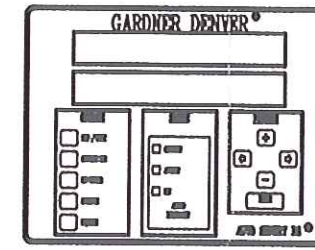
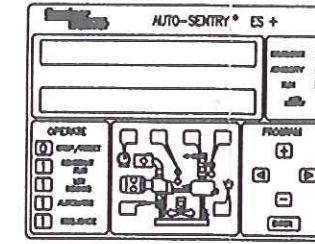
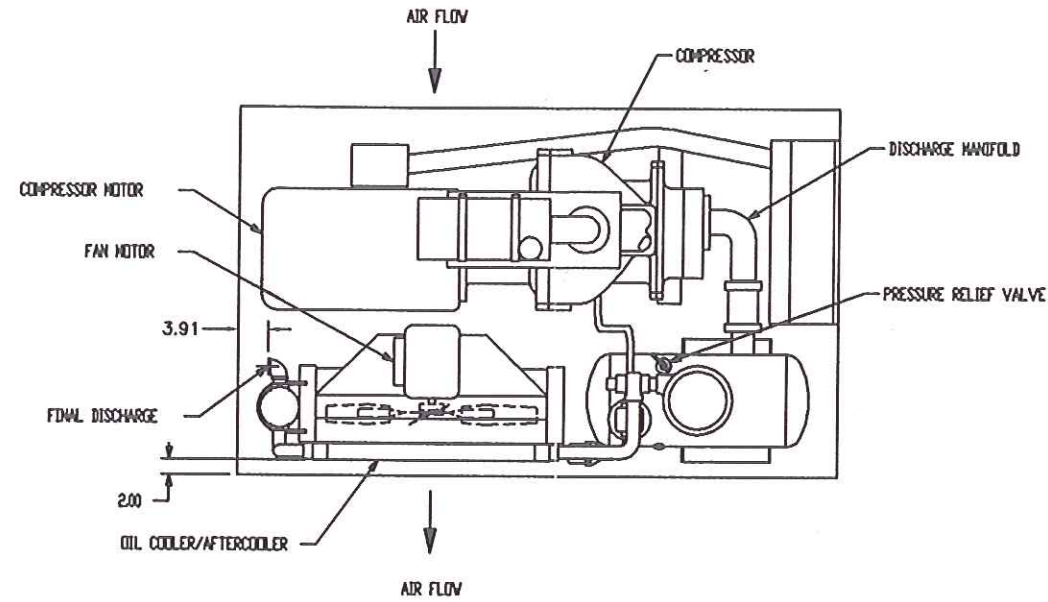


THIS PRINT CERTIFIED ONLY FOR:
 CUSTOMER NAME _____
 ORDER NO. _____
 MACHINE SERIAL NO. _____
 GARDNER DENVER INC.
 QUINCY, ILLINOIS
 CERTIFIED BY _____
 DATE _____

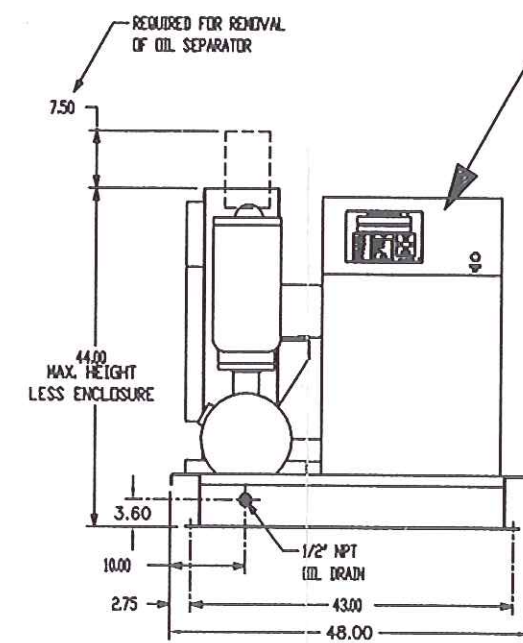
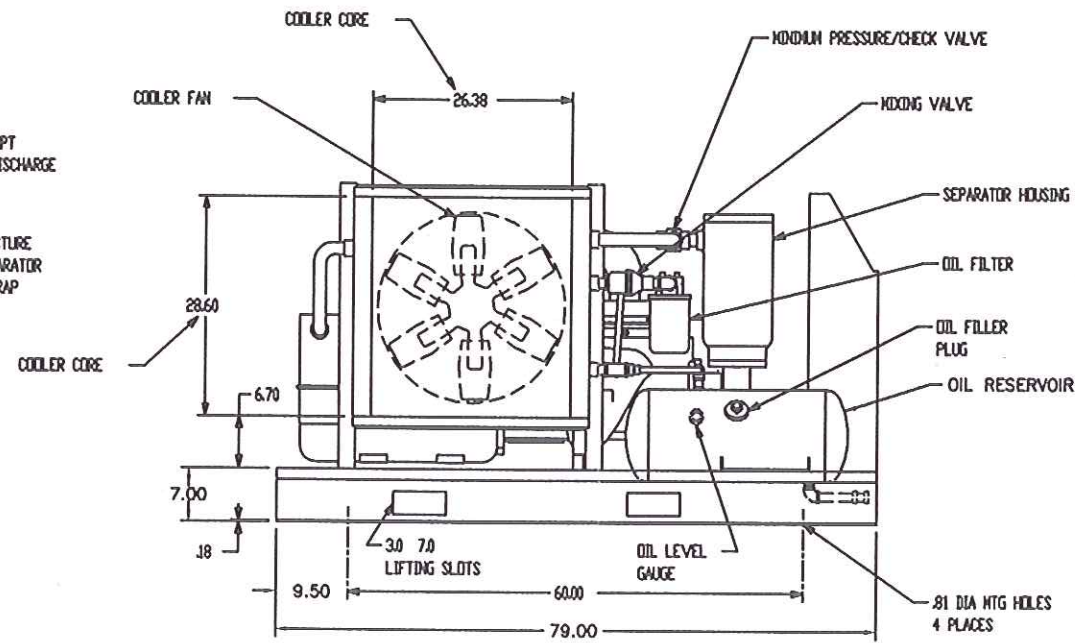
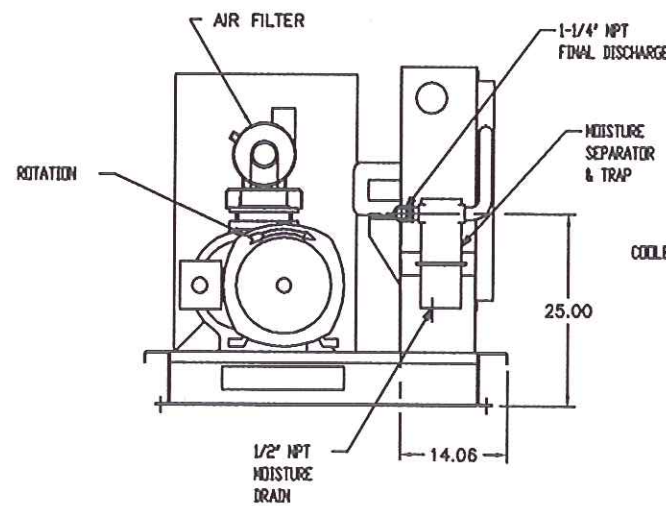
NOTE:
 THIS OUTLINE APPLIES TO FOLLOWING MODELS
 EB90H ----- 40HP
 EB90J ----- 50HP



1/2 SCALE

○
DEPENDENT STEP

○
DEPENDENT STEP



"Superceded Data"

9912-126-05
 IA26.01

W.P.

CONFIDENTIAL - THE INFORMATION CONTAINED IN THIS SPECIFICATION IS THE PROPERTY OF GARDNER DENVER, INC. IT IS NOT FOR PUBLIC RELEASE. FURNISHING OF THIS INFORMATION DOES NOT CONVEY ANY RIGHT TO REPRODUCE, COPY, OR DISSEMINATE THE INFORMATION CONTAINED HEREIN IN ANY MANNER WITHOUT THE WRITTEN PERMISSION OF GARDNER DENVER, INC. ANY VIOLATION OF THIS PROVISION WILL BE PROSECUTED TO THE FULL EXTENT OF THE LAW.

NO.	QTY.	DESCRIPTION	UNIT	PRICE	TOTAL
1	1	OUTLINE UNIT/PKG			
2	1	OUTLINE UNIT/PKG			
3	1	OUTLINE UNIT/PKG			
4	1	OUTLINE UNIT/PKG			
5	1	OUTLINE UNIT/PKG			
6	1	OUTLINE UNIT/PKG			
7	1	OUTLINE UNIT/PKG			
8	1	OUTLINE UNIT/PKG			
9	1	OUTLINE UNIT/PKG			
10	1	OUTLINE UNIT/PKG			
11	1	OUTLINE UNIT/PKG			
12	1	OUTLINE UNIT/PKG			
13	1	OUTLINE UNIT/PKG			
14	1	OUTLINE UNIT/PKG			
15	1	OUTLINE UNIT/PKG			
16	1	OUTLINE UNIT/PKG			
17	1	OUTLINE UNIT/PKG			
18	1	OUTLINE UNIT/PKG			
19	1	OUTLINE UNIT/PKG			
20	1	OUTLINE UNIT/PKG			
21	1	OUTLINE UNIT/PKG			
22	1	OUTLINE UNIT/PKG			
23	1	OUTLINE UNIT/PKG			
24	1	OUTLINE UNIT/PKG			
25	1	OUTLINE UNIT/PKG			
26	1	OUTLINE UNIT/PKG			
27	1	OUTLINE UNIT/PKG			
28	1	OUTLINE UNIT/PKG			
29	1	OUTLINE UNIT/PKG			
30	1	OUTLINE UNIT/PKG			
31	1	OUTLINE UNIT/PKG			
32	1	OUTLINE UNIT/PKG			
33	1	OUTLINE UNIT/PKG			
34	1	OUTLINE UNIT/PKG			
35	1	OUTLINE UNIT/PKG			
36	1	OUTLINE UNIT/PKG			
37	1	OUTLINE UNIT/PKG			
38	1	OUTLINE UNIT/PKG			
39	1	OUTLINE UNIT/PKG			
40	1	OUTLINE UNIT/PKG			
41	1	OUTLINE UNIT/PKG			
42	1	OUTLINE UNIT/PKG			
43	1	OUTLINE UNIT/PKG			
44	1	OUTLINE UNIT/PKG			
45	1	OUTLINE UNIT/PKG			
46	1	OUTLINE UNIT/PKG			
47	1	OUTLINE UNIT/PKG			
48	1	OUTLINE UNIT/PKG			
49	1	OUTLINE UNIT/PKG			
50	1	OUTLINE UNIT/PKG			

Gardner Denver
 Gardner Denver, Inc.
 Quincy, Illinois

FOR ALL QUOTE SPECIFICATIONS REFER TO ALL OF THESE:
 OUTLINE UNIT/PKG
 OF A SUP AIR COOLER

DATE: 12/18/05
 BY: W.P.
 FILE NO: 18 050504