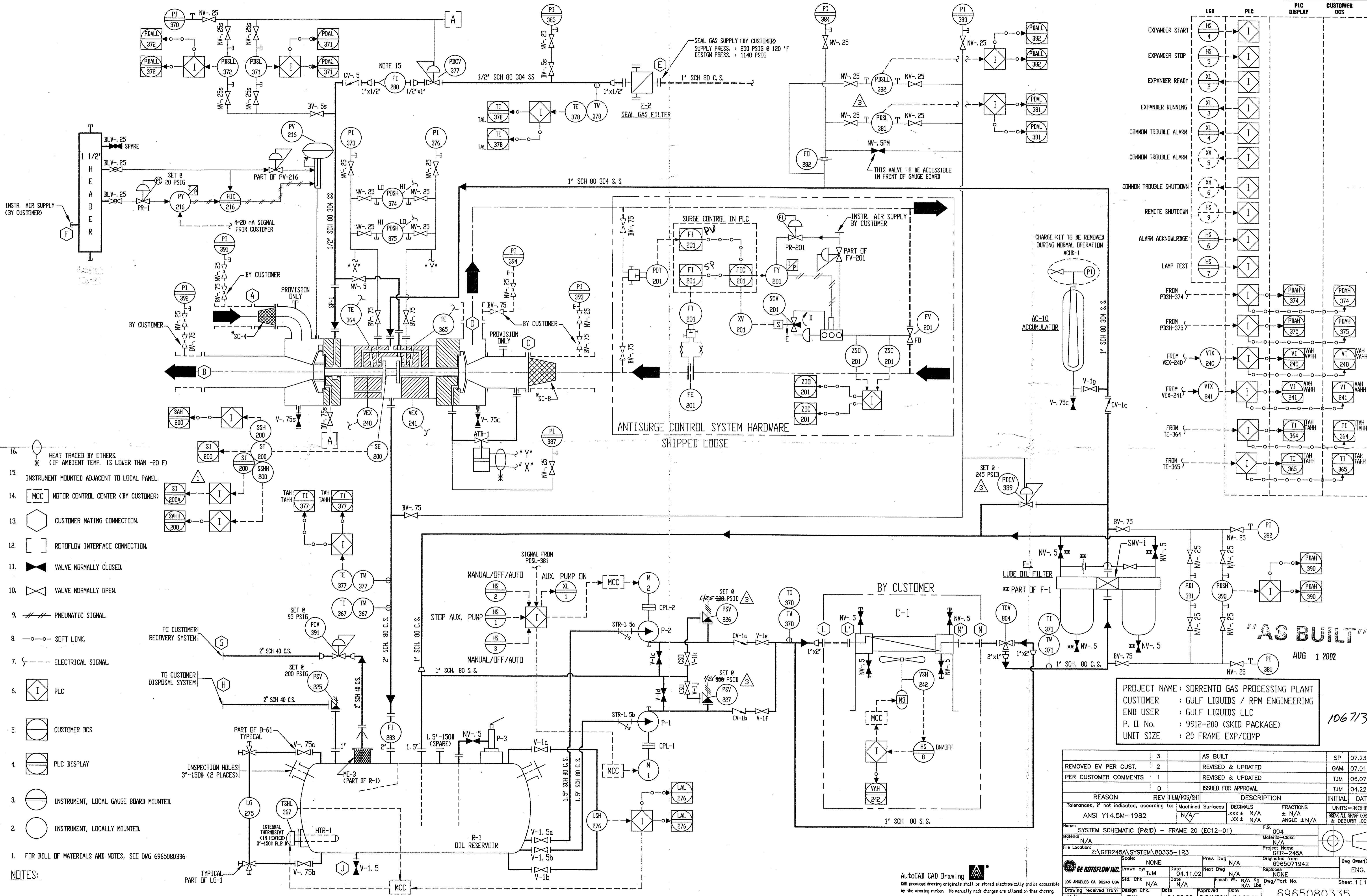


1
2
3
4



	LGB	PLC	PLC DISPLAY	CUSTOMER OCS
EXPANDER START	HS 4	I		
EXPANDER STOP	HS 5	I		
EXPANDER READY	XL 2	I		
EXPANDER RUNNING	XL 3	I		
COMMON TROUBLE ALARM	XL 4	I		
COMMON TROUBLE ALARM	XA 5	I		
COMMON TROUBLE SHUTDOWN	XA 6	I		
REMOTE SHUTDOWN	HS 9	I		
ALARM ACKNOWLEDGE	HS 6	I		
LAMP TEST	HS 7	I		
FROM PSDH-374		I	PDAH 374	PDAH 374
FROM PSDH-375		I	PDAH 375	PDAH 375
FROM VEX-240	VIX 240	I	VI WAH 240	VI WAH 240
FROM VEX-241	VIX 241	I	VI WAH 241	VI WAH 241
FROM TE-364		I	TI TAH 364	TI TAH 364
FROM TE-365		I	TI TAH 365	TI TAH 365

16. HEAT TRACED BY OTHERS. (IF AMBIENT TEMP. IS LOWER THAN -20 F)
15. INSTRUMENT MOUNTED ADJACENT TO LOCAL PANEL.
14. MCC MOTOR CONTROL CENTER (BY CUSTOMER)
13. CUSTOMER MATING CONNECTION.
12. ROTOFLOW INTERFACE CONNECTION.
11. VALVE NORMALLY CLOSED.
10. VALVE NORMALLY OPEN.
9. PNEUMATIC SIGNAL.
8. SOFT LINK.
7. ELECTRICAL SIGNAL.
6. PLC
5. CUSTOMER DCS
4. PLC DISPLAY
3. INSTRUMENT, LOCAL GAUGE BOARD MOUNTED.
2. INSTRUMENT, LOCALLY MOUNTED.
1. FOR BILL OF MATERIALS AND NOTES, SEE DWG 6965080336

AS BUILT

AUG 1 2002

PROJECT NAME : SORRENTO GAS PROCESSING PLANT
 CUSTOMER : GULF LIQUIDS / RPM ENGINEERING
 END USER : GULF LIQUIDS LLC
 P. D. No. : 9912-200 (SKID PACKAGE)
 UNIT SIZE : 20 FRAME EXP/COMP

REV	ITEM/POS/SHI	DESCRIPTION	INITIAL	DATE
3		AS BUILT	SP	07.23.02
2		REMOVED BY PER CUST.	GAM	07.01.02
1		REVISED & UPDATED	TJM	06.07.02
0		ISSUED FOR APPROVAL	TJM	04.22.02

REASON	REV	ITEM/POS/SHI	DESCRIPTION	INITIAL	DATE
ANSI Y14.5M-1982			TOLERANCES, IF NOT INDICATED, ACCORDING TO: MACHINED SURFACES: DECIMALS ± N/A; .XXX ± N/A; .XX ± N/A; ANGLE ± N/A		

Name:	SYSTEM SCHEMATIC (P&ID) - FRAME 20 (EC12-01)	F.S.	004
Material:	N/A	Material Class:	N/A
File Location:	Z:\GER245A\SYSTEM\80335-1R3	Project Name:	GER-245A
Scale:	NONE	Original from:	6965071942
Drawn By:	TJM	Next Dwg:	N/A
Std. Chk:	N/A	Date:	04.11.02
Design Chk:	N/A	Finish Wt.:	N/A Kg
Drawing received from:	N/A	Approved:	R.SAMSON
		Date:	04.22.02

AutoCAD CAD Drawing

CAD produced drawing originals shall be stored electronically and be accessible by the drawing number. No manually made changes are allowed on this drawing.

106713