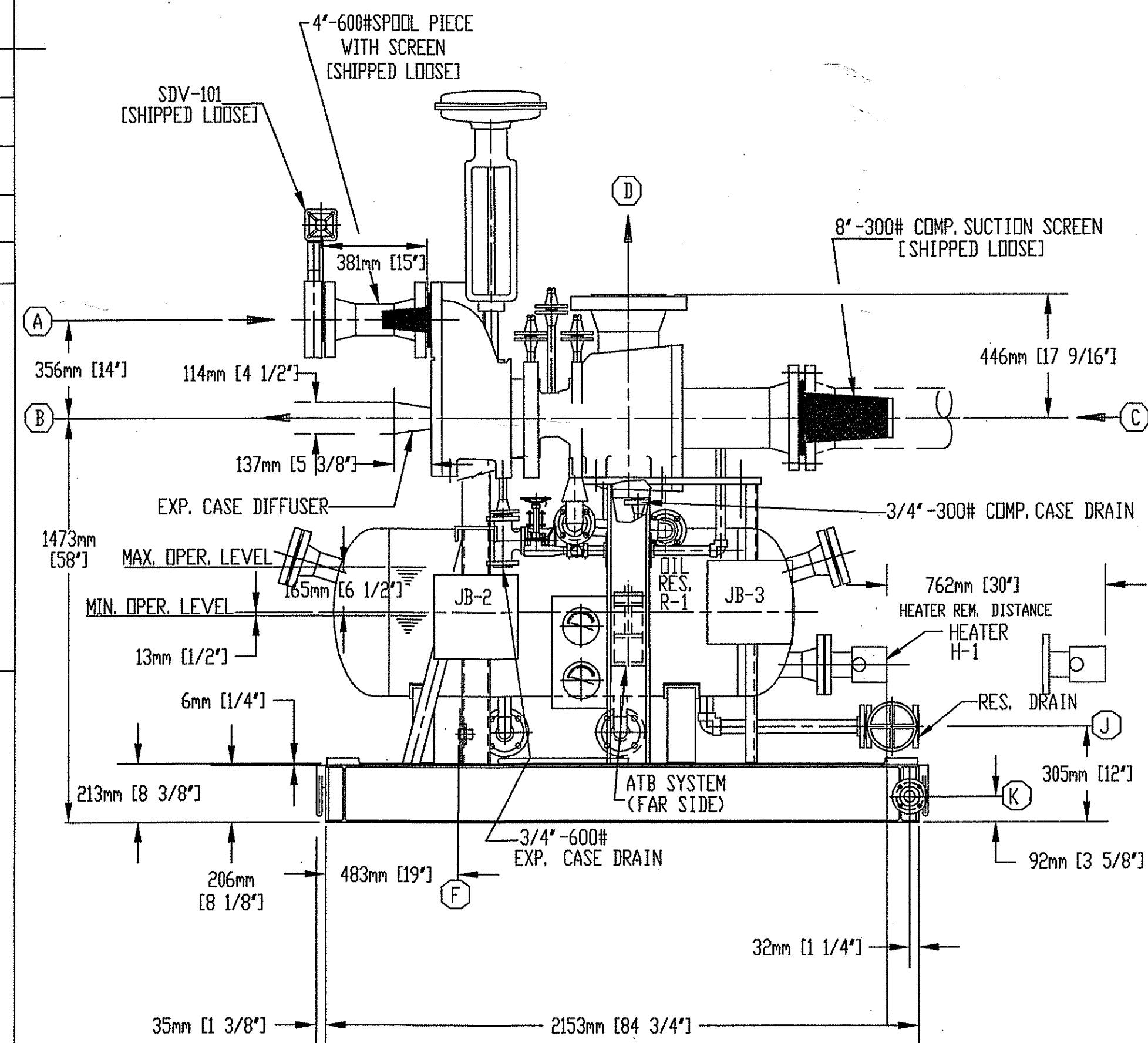
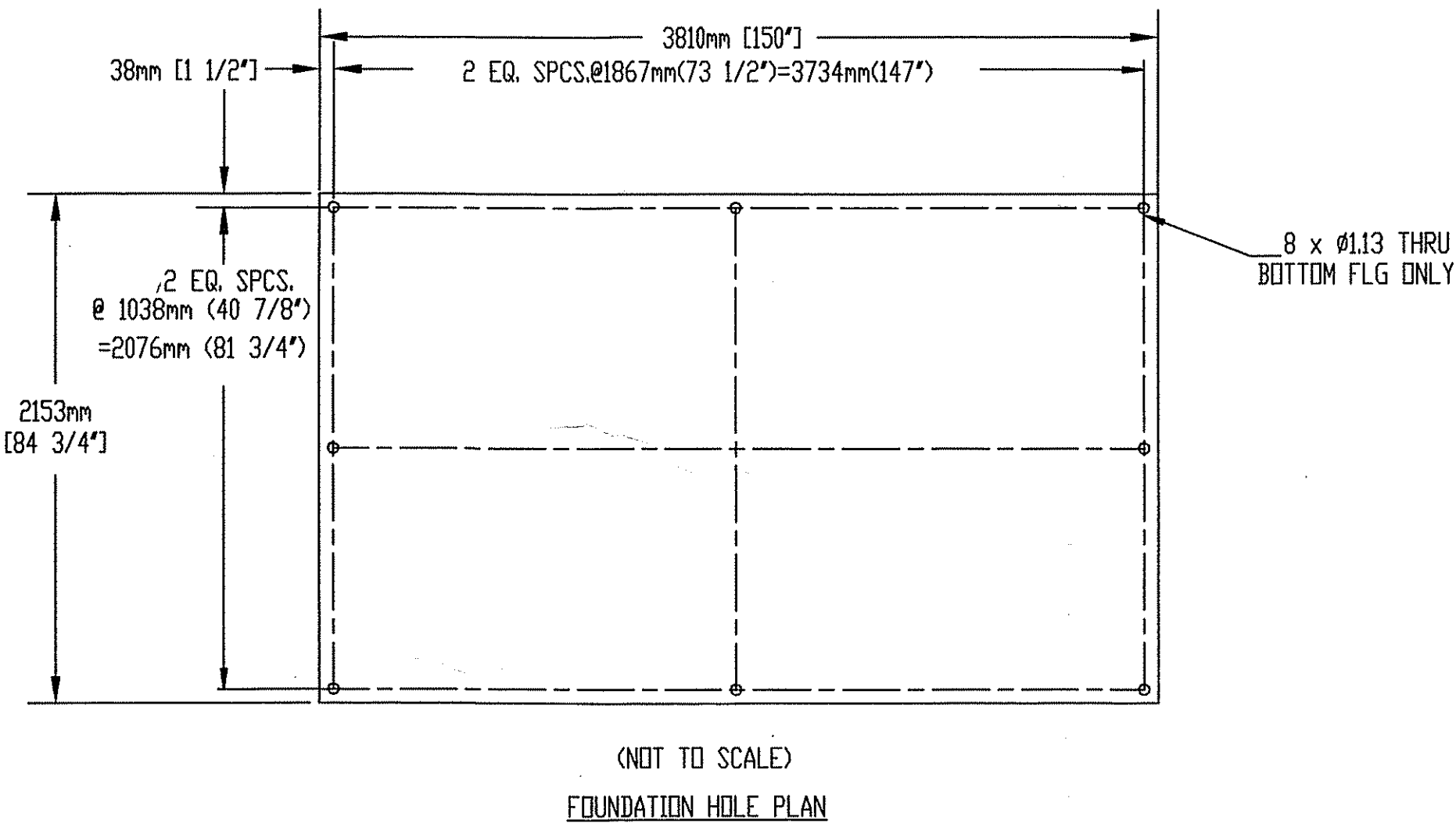
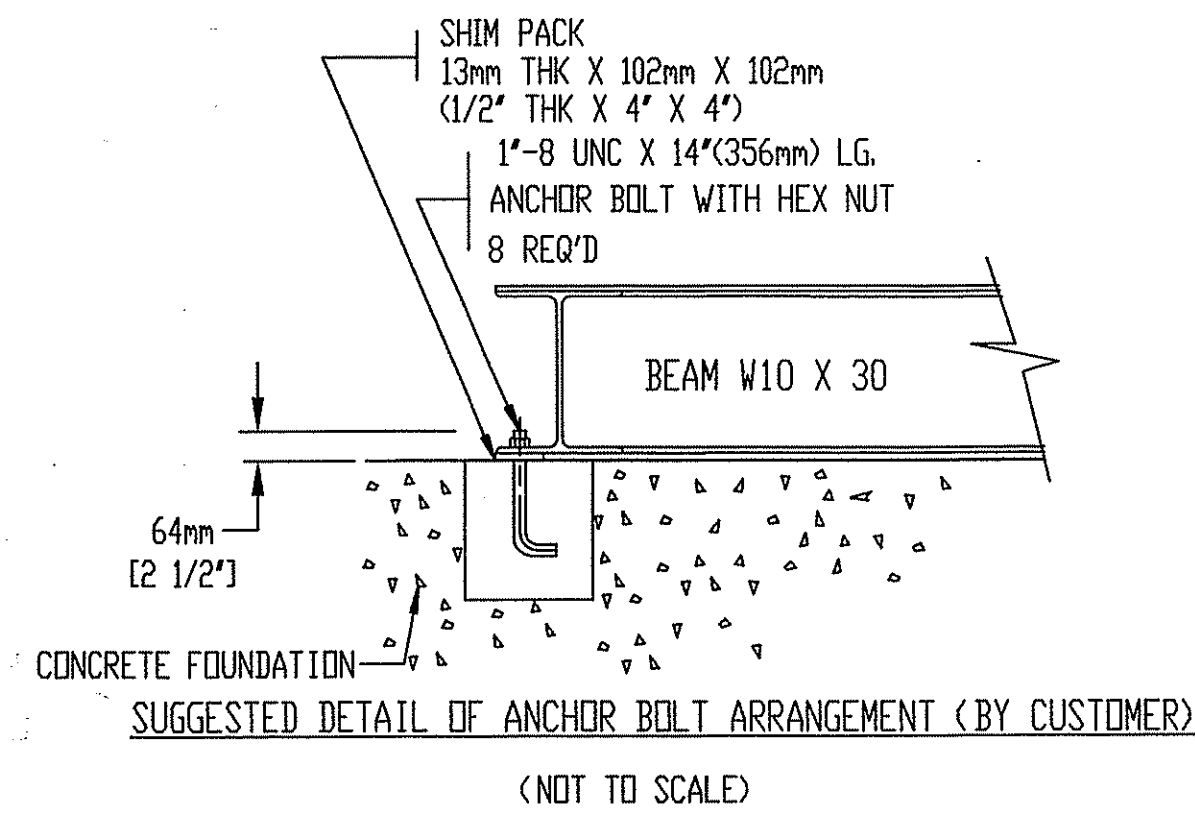
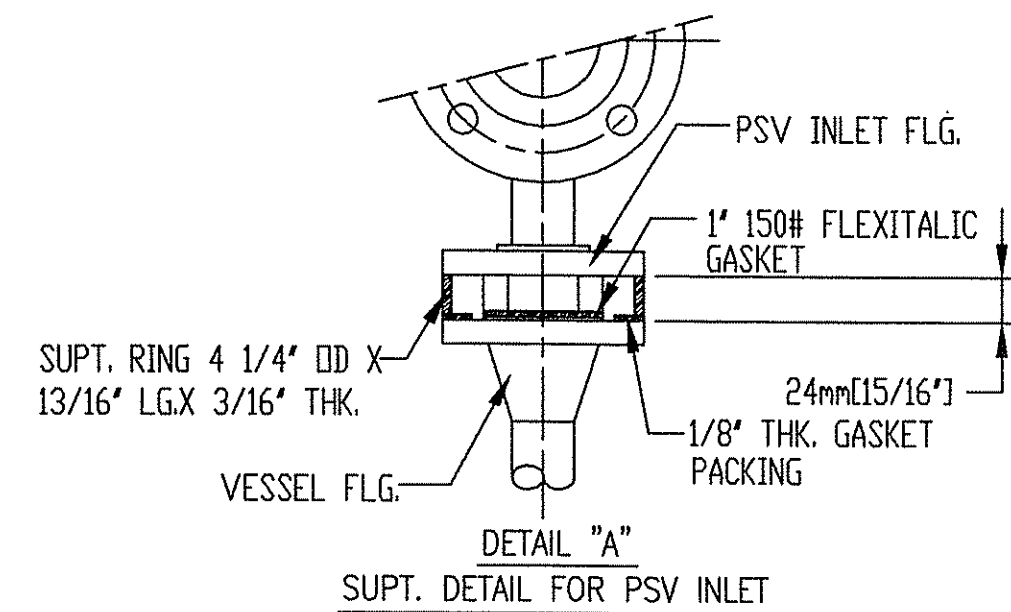
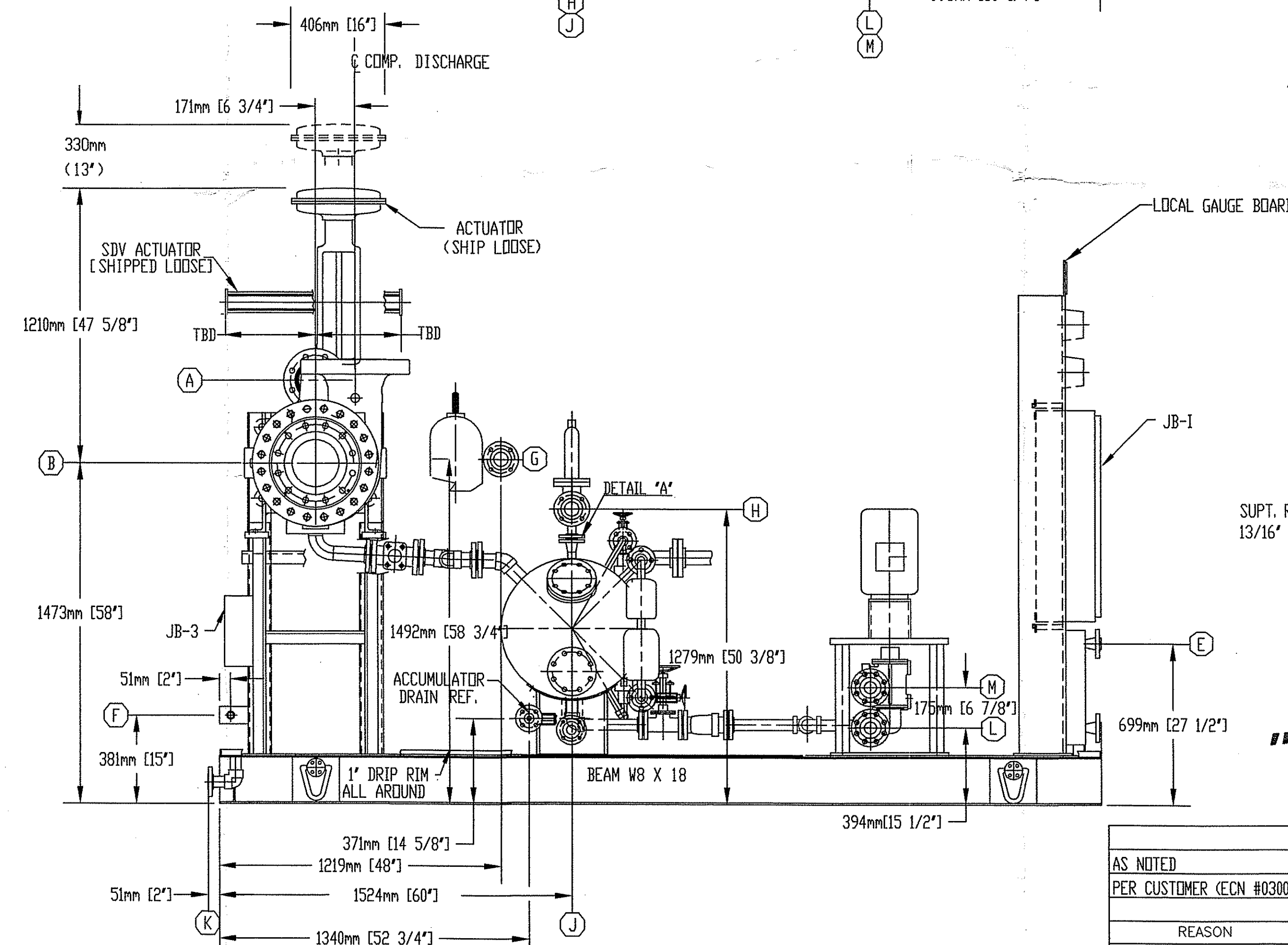
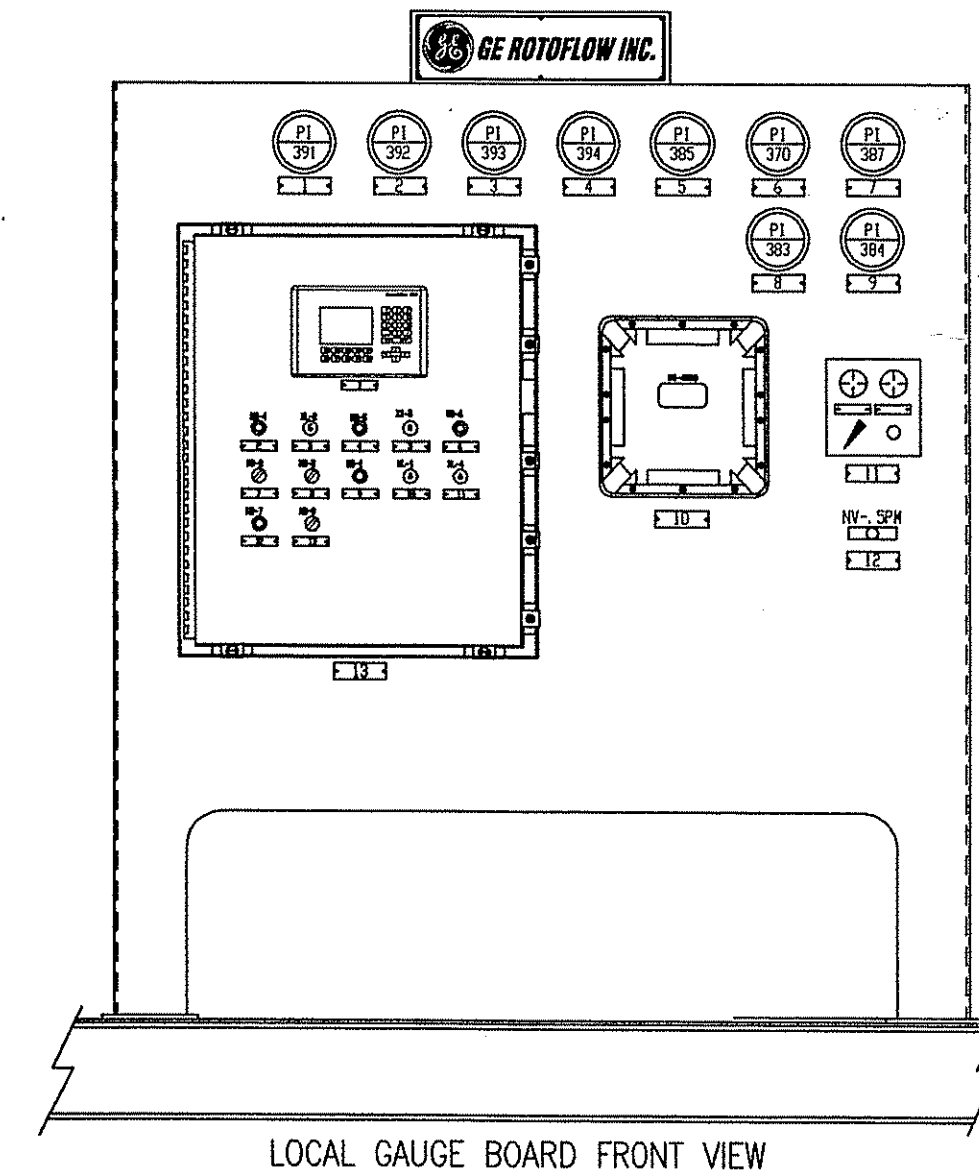
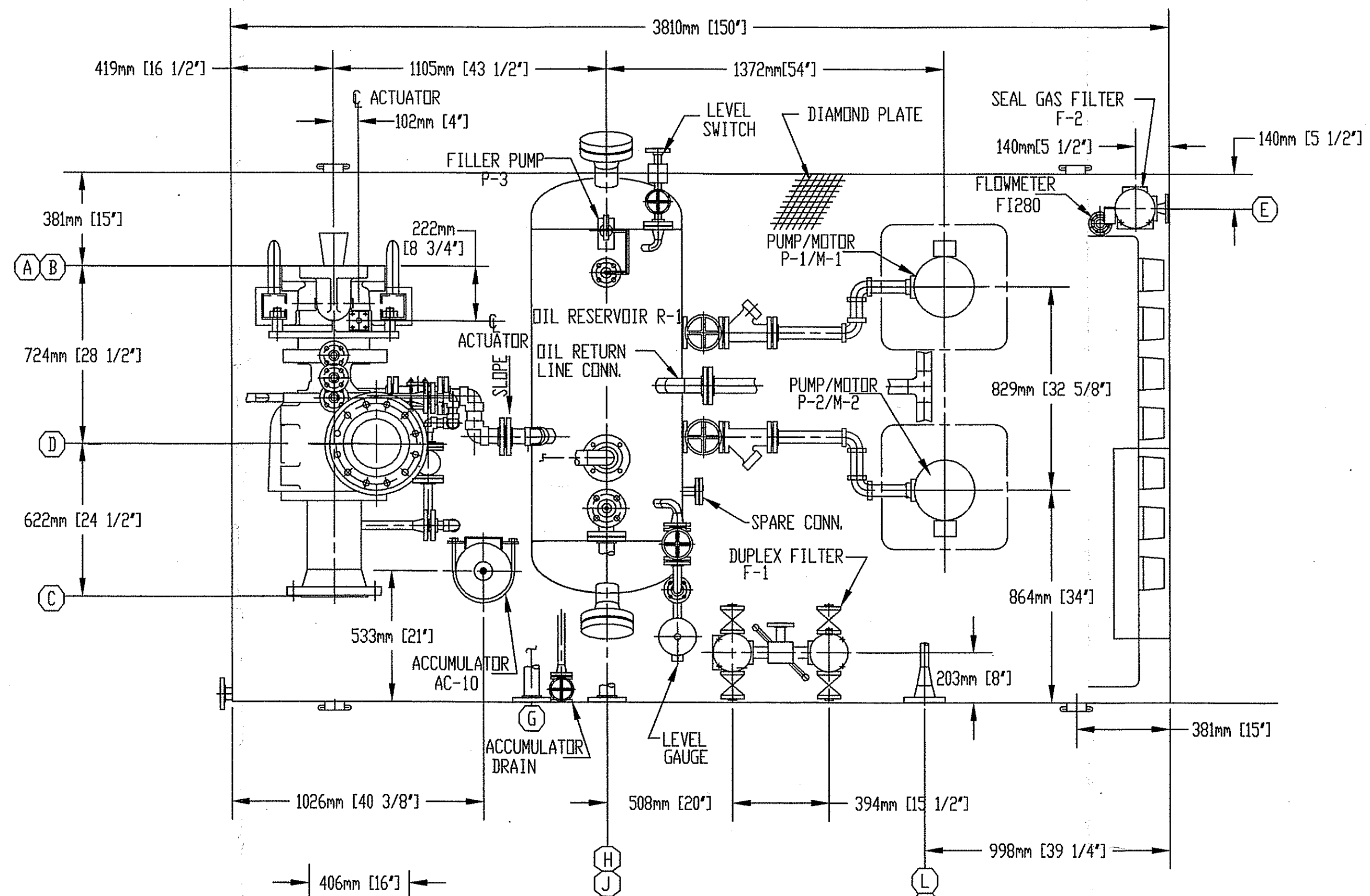


CUSTOMER INTERFACING CONNECTIONS		
CONN	LINE SERVICE	SIZE & RATING (NOTE 4)
(A)	EXPANDER INLET	4"-600# ANSI RF FLG
(B)	EXPANDER OUTLET	6"-600# ANSI RF FLG
(C)	COMPRESSOR SUCTION	8"-300# ANSI RF FLG
(D)	COMPRESSOR DISCHARGE	8"-300# ANSI RF FLG
(E)	CUSTOMER SEAL GAS SUPPLY	1"-600# ANSI RF FLG
(F)	CUSTOMER INST. AIR SUPPLY	3/4" NPT
(G)	TO CUSTOMER RECOVERY SYSTEM	2"-150# ANSI RF FLG
(H)	TO CUSTOMER DISPOSAL SYSTEM	2"-150# ANSI RF FLG
(J)	RESERVOIR DRAIN	1 1/2"-150# ANSI RF FLG
(K)	PROCESS SEWER CONN.	1 1/2"-150# ANSI RF FLG
(L)	OIL TO COOLER	2"-300# ANSI RF FLG
(M)	OIL FROM COOLER	2"-300# ANSI RF FLG



2. FIVE PIPE DIAMETER MINIMUM STRAIGHT PIPE ON COMPRESSOR SUCTION.  
 1. THREE PIPE DIAMETER MINIMUM STRAIGHT PIPE ON EXPANDER OUTLET.

NOTES:



**"AS BUILT"**  
 AUG 1 2002 106 713

CUSTOMER PROJECT NAME: GULF LIQUIDS/RPM ENGINEERING - SERRENTO GAS PROCESSING PLANT - 9912-200  
 END USER: GULF LIQUIDS LLC  
 LOCATION: LOUISIANA  
 TAG NO.: EC 12.01

APPROX. WT. 10431 KGS (23000 LBS)

REASON	REV	ITEM/POS/SHI	DESCRIPTION	INITIAL	DATE
AS BUILT	3		AS BUILT	J.H.	07.22
REVISED LEVEL INST. DESCRIPTION	2		REVISED LEVEL INST. DESCRIPTION	J.H.	07.08
UPDATE EQUIPMENT LOCATION	1		UPDATE EQUIPMENT LOCATION	L.P.	05.09
ISSUED FOR APPROVAL	0		ISSUED FOR APPROVAL		

Name:	EXPANDER COMPRESSOR MACHINERY ARRANGEMENT	F.G.	620
Material:	Material-Grade MACDVG	Project Name:	GER-245A
File Location:	H:\GER245A\MACH_ARR\80288-1R1	Originals from:	ACR00223
Scale:	1:16	Prev. Dwg:	ACR00223
Drawn By:	LP	Date:	04.16.02
Std. Chk:	N/A	Next Dwg:	N/A
Design Chk:	N/A	Replaces:	N/A
Drawn received from:	L.P.	Design Date:	04.19.02
		Approved Date:	04.19.02

This document is GE Rotoflow's property and shall not be altered, copied, used, or disseminated in any way without the written permission of GE Rotoflow.

AutoCAD CAD Drawing  
 CAD produced drawing originals shall be stored electronically and be accessible by the drawing number. No manually made changes are allowed on this drawing.

6956080288