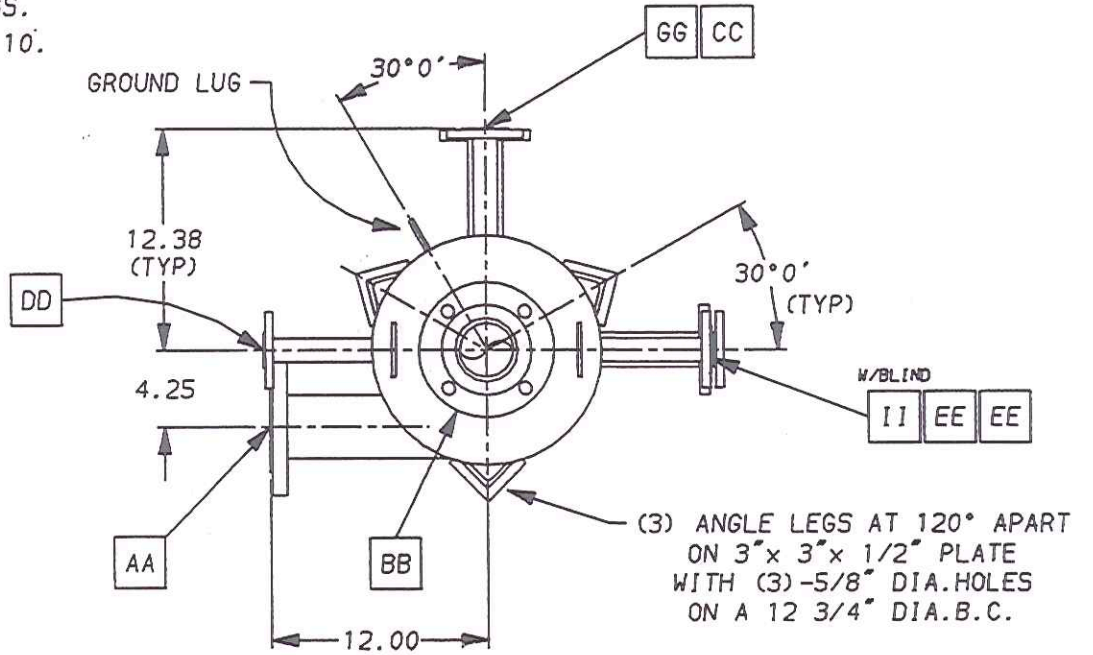
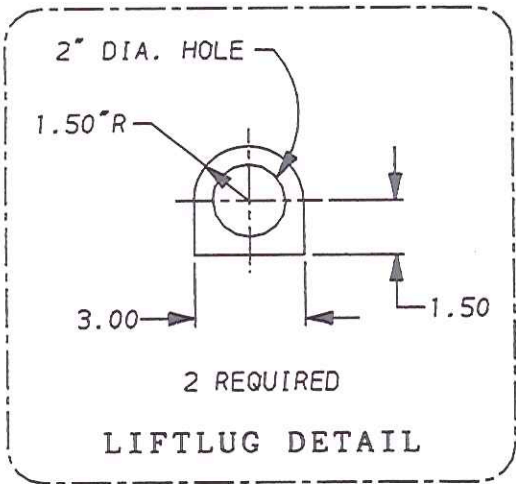


NOTES:

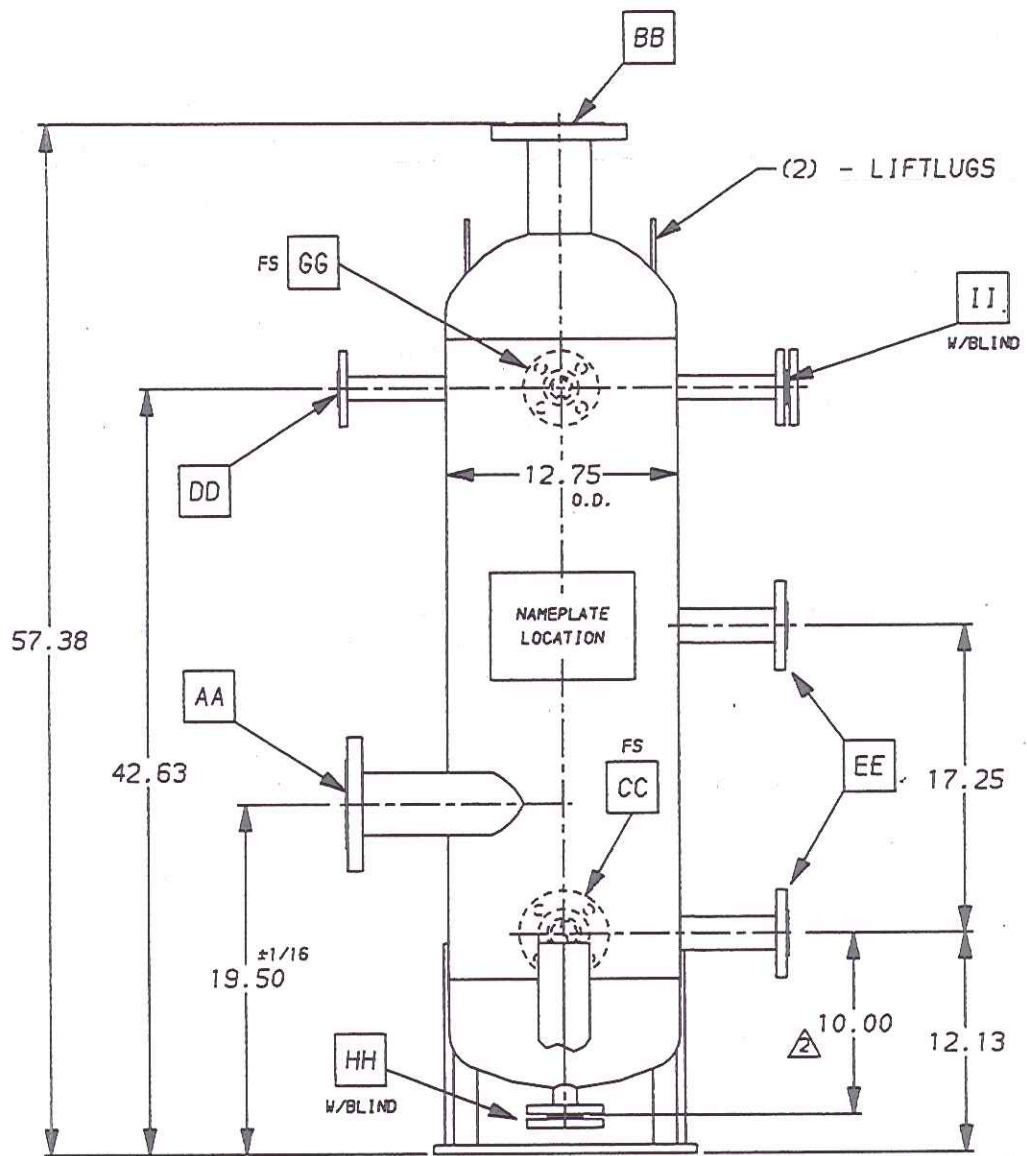
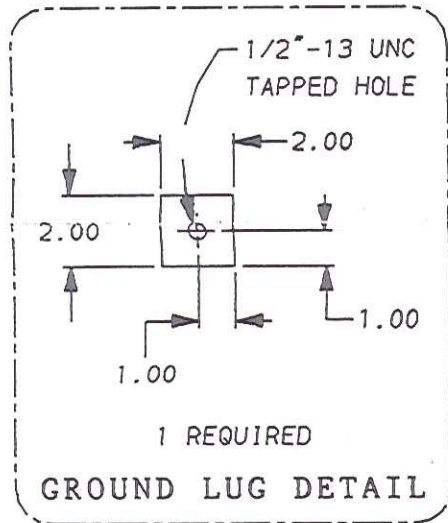
1. DIMENSIONS ARE IN INCHES.
2. SUPPORT CONNECTING PIPING SO THAT NO STRAIN IS IMPOSED ON SEPARATOR.
3. MATERIAL: 316L STAINLESS STEEL (LEGS 304 SS)
4. SEPARATOR TO BE BUILT TO THE LATEST EDITION OF ASME CODE SECTION VIII, DIVISION 1. CODE STAMP IS REQUIRED.
5. DESIGN PRESSURE: 25/FV PSIG.
DESIGN TEMP.: 250° F
6. APPROXIMATE WEIGHT: 250 LBS.
7. CORROSION ALLOWANCE: 1/16" (0.050" MIN.)
8. FLANGES CONFORM TO 150# ANSI DRILLING PATTERN.
9. ALL FLANGE BOLT HOLES STRADDLE CENTERLINES.
10. SHIPPING COVERS TO BE INSTALLED ON ALL OPENINGS.
11. TO BE BUILT PER BAYER SPEC. #15.1.1 AND #15.1.10.

NOZZLE/CONNECTION SCHEDULE

N/C	QTY.	SIZE	SCH	SERVICE
AA	1	3"-150# RFSO FLANGE	80	INLET
BB	1	3"-150# RFSO FLANGE	80	DISCHARGE
CC	1	1 1/2"-150# RFSO FLG.	80	SEAL LINE
DD	1	1"-150# RFSO FLANGE	160	BY-PASS LINE
EE	2	1 1/2"-150# RFSO FLG.	80	LEVEL INSTR. BRIDLE
FF	2	1"-150# RFSO FLANGE		GAUGE GLASS
GG	1	1"-150# RFSO FLANGE	160	MAKE-UP
HH	1	1"-150# RFSO FLANGE	160	DRAIN
II	1	1"-150# RFSO FLANGE	160	AUXILIARY CONN.



PLAN VIEW



ELEVATION VIEW

MECHANICAL PLANNER FILE

TAG NO.: 0242-22-292; BAYER ASSET NO.: 0022213800

<input type="checkbox"/> For Approval: Tentative shipping promise is established upon return of approved print. <input type="checkbox"/> For Final Approval: This print covers equipment on which mat'l has been ordered, however no mfg. has started. Delivery is established upon return of final approved print. <input checked="" type="checkbox"/> For Record: This print covers equipment on which mfg. has started. Any change is subject to price and shipping promise adjustment.	DO NOT USE THIS PRINT FOR CONSTRUCTION UNLESS CERTIFIED AND DATED.	NASH-KINEMA, INC. ELIZABETH, PA. 15037									
	THIS DOCUMENT IS THE PROPERTY OF NASH-KINEMA, INC. DO NOT REPRODUCE, FURNISH TO OTHERS, OR USE FOR OTHER THAN PURPOSE INTENDED WITHOUT EXPRESS WRITTEN CONSENT OF NASH-KINEMA, INC. ALL WHOSE RIGHTS ARE HEREIN RESERVED	TITLE: 12" DIA. SEPARATOR PURCHASER: SUITT CONSTRUCTION COMPANY USER: BAYER CORP. ORDER# 98001008 PO# 2137-7031 S/N: 9804489									
	2 PER MARKED PRINT & NASH DIM. CHANGE 01/99	1 PER MARKED PRINT 12/98	0 ORIGINAL 07/98	NO.	DESCRIPTION	DATE	APVD	SCALE: NONE	DRAWN BY: DMR	APPVD BY: <i>SM</i>	DATE: 12-99
	REVISIONS			DWG. NO. B-503000		REV: 2	DATE: 07/16/98				

#106382