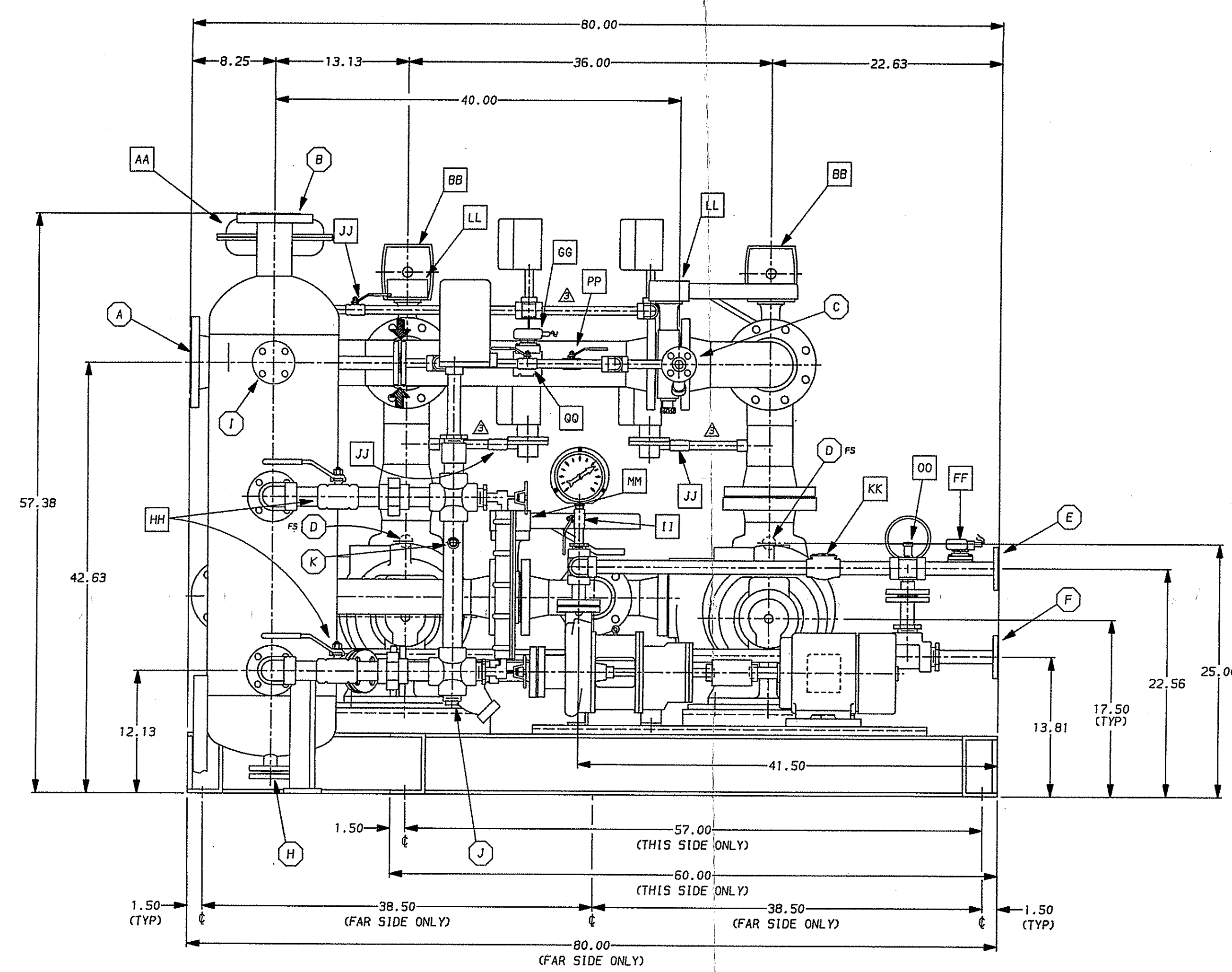
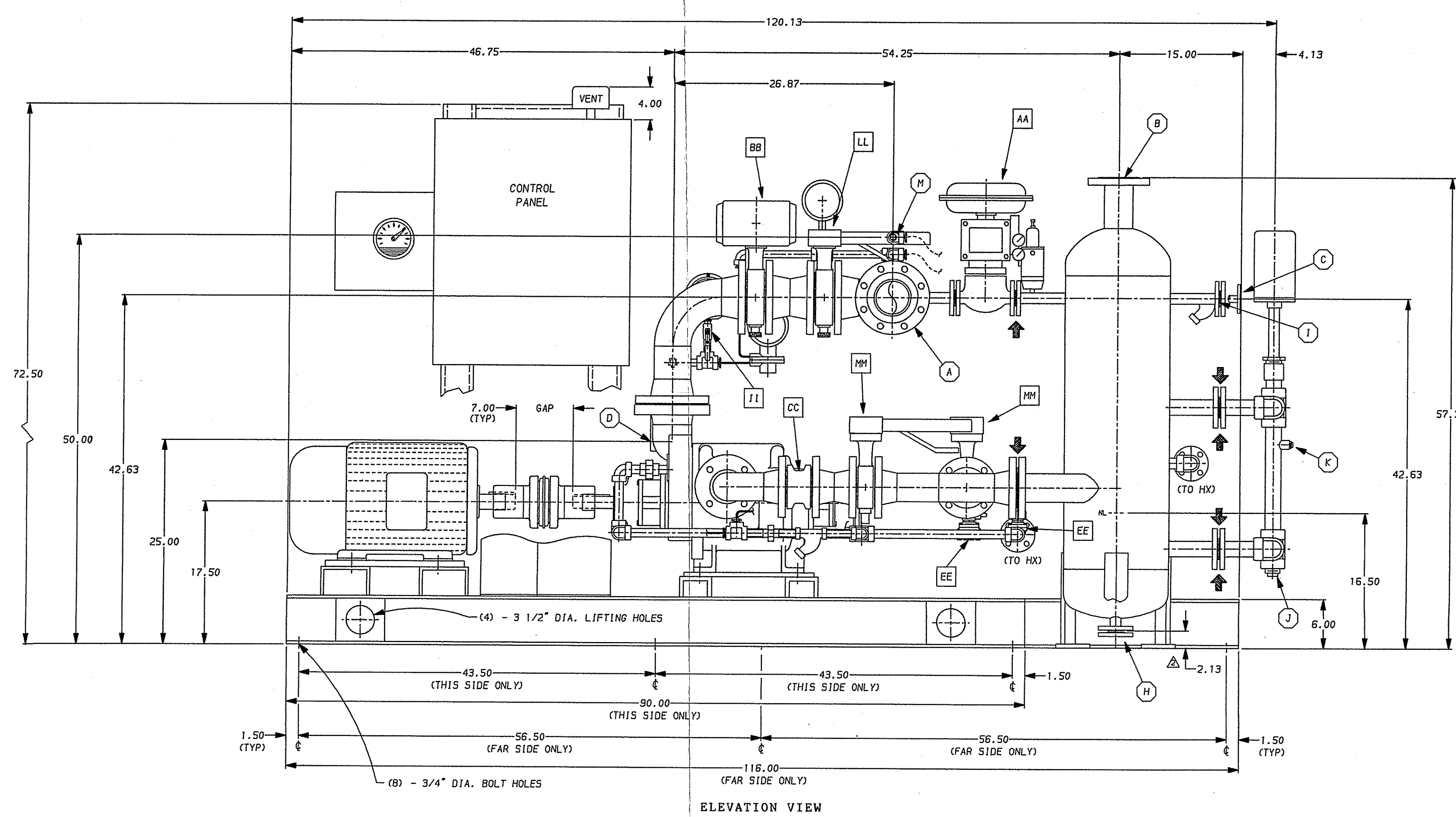


- NOTES:
- DIMENSIONS ARE IN INCHES (TOLERANCES PER H&J & TEMA).
 - SEE #NKF-016 FOR PACKAGE BILL OF MATERIALS.
 - SUPPORT CONNECTING PIPING SO THAT NO STRAIN IS IMPOSED ON ANY EQUIPMENT.
 - SC-3 PUMP SHAFT DIA. 1.5000" +.0000 - .0005
KEYWAY 3/8" X 3/16"
MOTOR (280V) SHAFT DIA. 1.875" +.000 - .001
KEYWAY 1/2" X 1/4"
 - FOR INSTALLATION AND OPERATION SEE INSTRUCTION BULLETINS. FINAL ALIGNMENT OF COUPLINGS TO BE DONE AT JOBSITE.
 - SOLIDLY GROUND UNIT. DO NOT USE PIPING SYSTEM FOR GROUND.
 - PAINT, PIPING SUPPORTS TO BE PER NKF-12-020. ROTATING EQUIPMENT, ACCESSORIES, INSTRUMENTATION, & VALVES TO BE NKS: STANDARD. DO NOT PAINT STAINLESS STEEL OR GALVANIZED SKID.
 - FOUNDATION BOLTS ARE NOT FURNISHED.
 - SEE DRAWING #D-802534 FOR SCHEMATIC.
 - PIPING AS FOLLOWS: 304L STAINLESS STEEL (PER ANSI B31.3, CATEGORY D).
A. ALL PIPING TO BE SDR 40.
B. FITTINGS: 2" AND UNDER TO BE THREADED, CLASS 150#, 304 S.S. 3" AND OVER TO BE BUTTWELDED, 304L S.S.
C. FLANGES: 2" AND UNDER TO BE 150# RF, FF SLIP-ON, AS SHOWN. 3" AND OVER TO BE 150# RF, FF, WELDED, AS SHOWN.
D. BOLTS AND NUTS TO BE PER BAYER SPEC. #4.17.16, REV. 1 (2 PAGES).
E. GASKETS: 1/8" THICK (NON-ASBESTOS).
F. HYDROTEST WELDED PIPING SPOOLS AT 30 PSIG FOR 30 MINUTES.
 - APPROXIMATE PACKAGE WEIGHT: 6,200 LBS.
 - ALL PUMP FLANGES ARE FLAT FACE AND CONFORM TO ANSI CLASS 125 BOLT PATTERNS. BOLT HOLES STRADDLE CENTERLINES.
 - VACUUM PUMP OPERATING SPEED: 1750 RPM.
CENTRIFUGAL PUMP OPERATING SPEED: 1750 RPM.
 - DENOTES BREAK POINTS FOR SHIPMENT. NASH TO MATCH MARK FIELD CONNECTIONS & SUPPLY ALL NECESSARY HARDWARE FOR ASSEMBLY IN FIELD.
 - NASH TO PROVIDE COMMON STAINLESS STEEL INSTRUMENT AIR CONNECTION FOR VALVES "AA" AND "BB".

CUSTOMER CONNECTIONS				
ITEM	QTY	SIZE	DESCRIPTION	SERVICE
A	1	4"	150# RFWN FLANGE (ANSI-TYPE)	PROCESS INLET
B	1	3"	150# RFSO FLANGE (ANSI-TYPE)	PROCESS DISCHARGE (SCRUBBER)
C	1	1 1/2"	150# RFSO FLANGE (ANSI-TYPE)	POTABLE WATER MAKE-UP
D	2	1"	NPT (PLUGGED)	INITIAL FILL
E	1	1"	150# RFSO FLANGE (ANSI-TYPE)	SEAL LINE - TO HX
F	1	1"	150# RFSO FLANGE (ANSI-TYPE)	SEAL LINE - FROM HX
G	1	1 1/2"	150# RFSO FLANGE (ANSI-TYPE)	PROCESS WATER OUT
H	1	1"	150# RFSO FLG. W/BLIND (ANSI-TYPE)	SEPARATOR DRAIN
I	1	1"	150# RFSO FLG. W/BLIND (ANSI-TYPE)	AUXILIARY CONNECTION
J	1	1 1/2"	NPT (PLUGGED)	LEVEL CONTROLLER DRAIN
K	1	1 1/2"	NPT (PLUGGED)	INSTRUMENT BRIDLE FILL
L	1	1 1/2"	NPT (PLUGGED)	AUXILIARY CONNECTION
M	1	1 1/2"	NPT (PLUGGED)	INSTRUMENT AIR

OPERATING VALVES				
ITEM	QTY	SIZE	DESCRIPTION	SERVICE
AA	1	3/4"	CONTROL VALVE (FLG.)	BY-PASS LINE
BB	2	4"	BUTTERFLY VALVE (WAFER-TYPE)	PROCESS INLET
CC	2	3"	CHECK VALVE (WAFER-TYPE)	PROCESS DISCHARGE
DD	1	1 1/2"	CONTROL VALVE (FLG.)	COOLING LIQUID OUT
EE	2	3/4"	SOLENOID VALVE (NPT)	SEAL LINE
FF	1	1/2"	SOLENOID VALVE (NPT)	PROCESS WATER OUT
GG	1	1/2"	SOLENOID VALVE (NPT)	POTABLE WATER MAKE-UP
HH	2	1 1/2"	BALL VALVE (NPT)	LEVEL TRANSMITTER ISOLATION
II	3	1/2"	BALL VALVE (NPT)	GAUGE ISOLATION
JJ	3	1/2"	BALL VALVE (NPT)	PROCESS INLET BY-PASS
KK	1	1"	CHECK VALVE (NPT)	SEAL LINE
LL	2	4"	BUTTERFLY VALVE (WAFER-TYPE)	INLET ISOLATION
MM	2	3"	BUTTERFLY VALVE (WAFER-TYPE)	DISCHARGE ISOLATION
NN	2	3/4"	BALL VALVE (NPT)	SEAL LINE ISOLATION
OO	1	1/2"	BALL VALVE (NPT)	PROCESS WATER OUT
PP	2	1/2"	BALL VALVE (NPT)	MAKE-UP ISOLATION
QQ	1	1/2"	BALL VALVE (NPT)	MAKE-UP BYPASS

- MOTOR WEIGHT (286T) *
490 LBS.
 - SEPARATOR WEIGHT *
250 LBS.
 - HEAT EXCHANGER WEIGHT *
500 LBS.
 - SC-3 VACUUM PUMP WEIGHT *
380 LBS.
 - CONTROL PANEL *
100 LBS.
 - CENT. PUMP ASSEMBLY *
300 LBS.
 - PACKAGE BASE WEIGHT *
1,800 LBS.
- * ALL WEIGHTS ARE APPROXIMATED



#106382

MECHANICAL PLANNER FILE

TAB NO.: 0242-19-291, BAYER ASSET NO.: 0019325800

<input type="checkbox"/> For Approval: Tentative shipping promise is established upon return of approved print.		DO NOT USE THIS PRINT FOR CONSTRUCTION UNLESS CERTIFIED AND DATED.		NASH® U.S. ELIZABETH, PA. 18037	
<input type="checkbox"/> For Final Approval: This print covers equipment on which mfg. has been ordered, however, no mfg. has started. Delivery is established upon return of final approved print.		THIS DOCUMENT IS THE PROPERTY OF NASH® U.S. (DIV. OF NASH ENGRS.) DO NOT REPRODUCE, FURNISH TO OTHERS, OR USE FOR OTHER THAN PURPOSE INTENDED WITHOUT EXPRESS WRITTEN CONSENT OF NASH® U.S. ALL WHOSE RIGHTS ARE HEREIN RESERVED.		TITLE: SC-3 VACUUM PUMP DUPLEX RECIRCULATION PACKAGE PURCHASER: SUITT CONSTRUCTION COMPANY PO# 2137-7031 USER: BAYER CORP.	
<input checked="" type="checkbox"/> Certified For Construction: This print covers equipment on which mfg. has started. Any change is subject to shipping promise adjustment.		REV. 0 AS BUILT 03/18/99 REV. 1 PER CUSTOMER & NASH CHANGES 01/20/99 REV. 2 PER CUSTOMER & ENGR'G. MARKED PRINT 12/11/98 REV. 3 ORIGINAL 07/15/98		S/N: 9804489 ORD# 98001008 ESCOM# 9800302-1 SCALE: NONE DRAWN BY: JARA APPROVED BY: [Signature] DATE: 3-99 DATE: 07/15/98	
		DWG. NO. E-900367		REVISIONS 3	