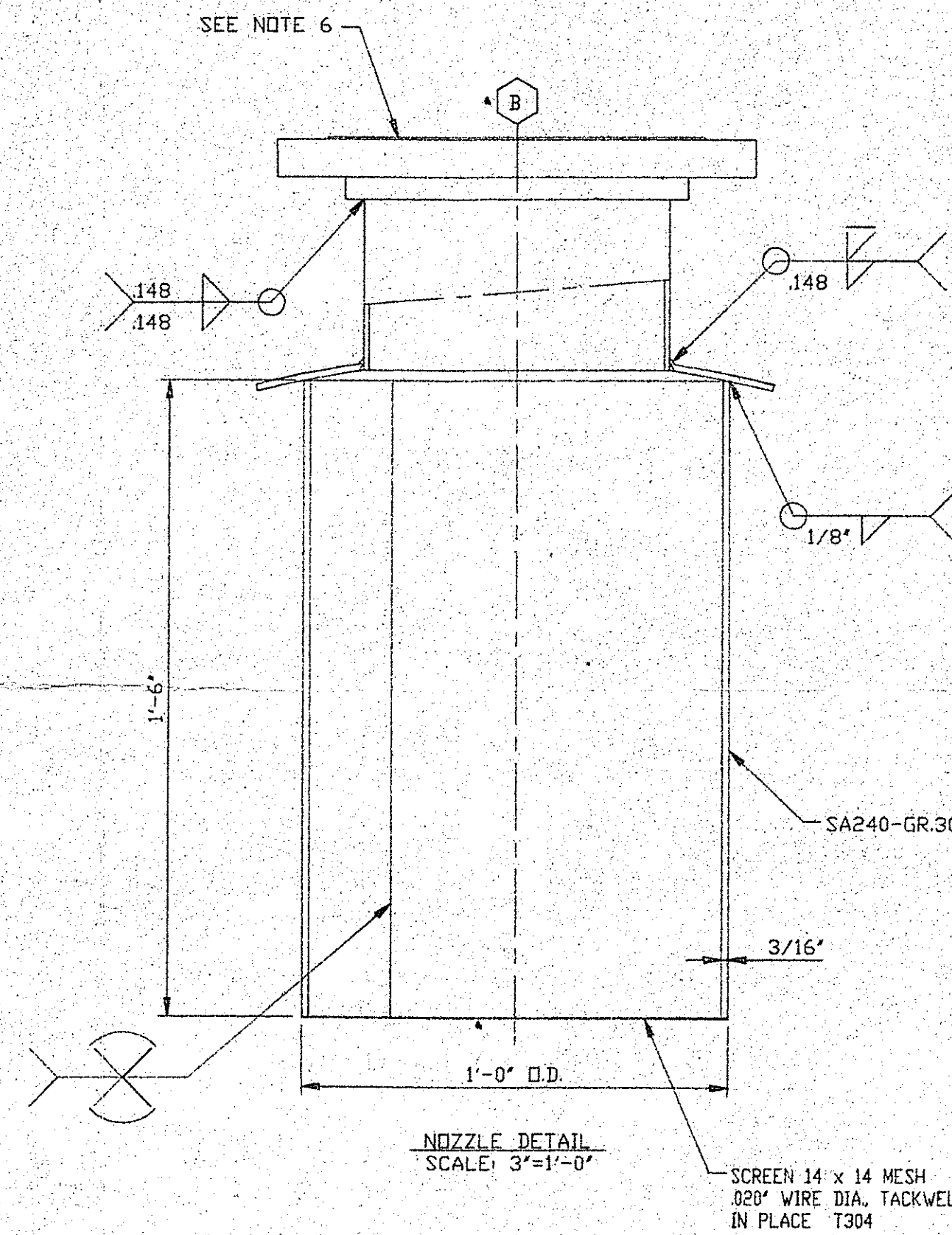
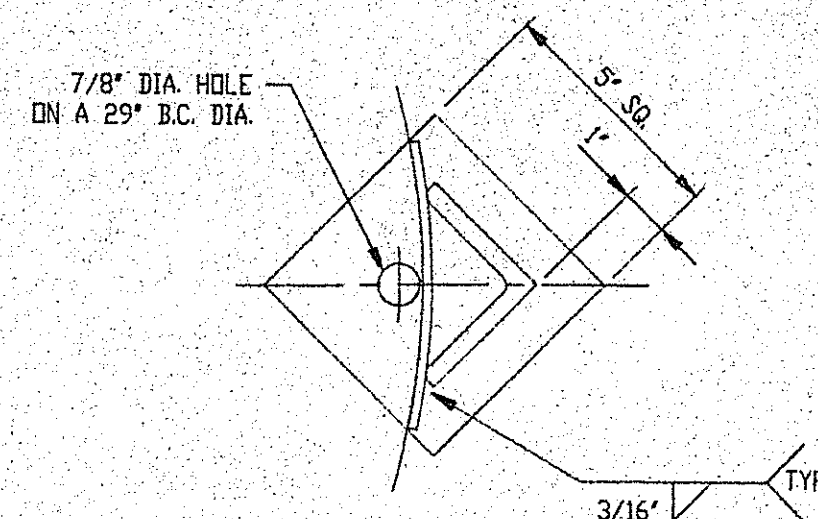


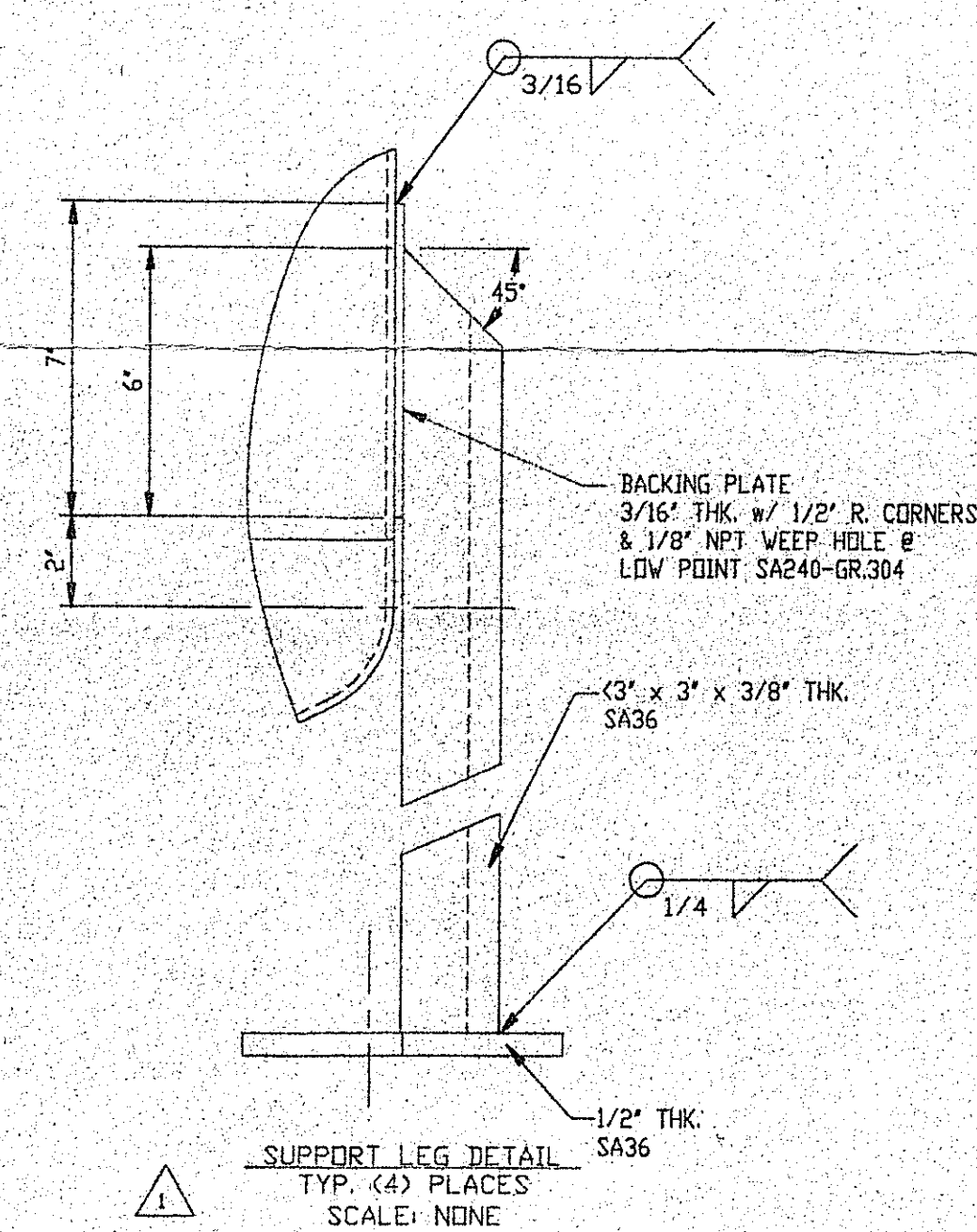
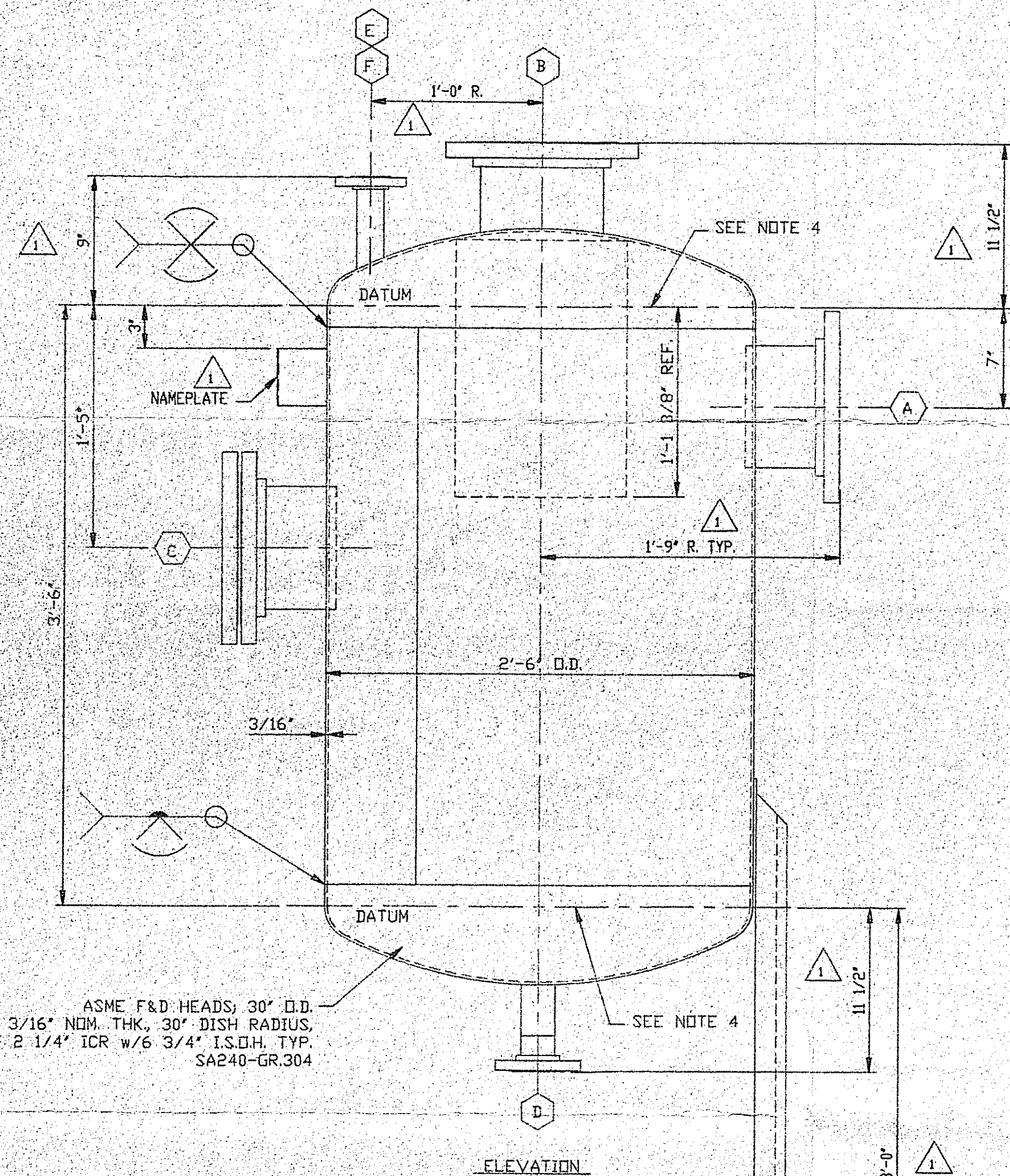
SEE NOTE 6  
 I.P.I. TO SUPPLY FOR NOZZLE 'C'...  
 (1) 8"-150# R.F. BLIND FLANGE-SA182-F304  
 (2) 8"-150# RING GASKET  
 (3) HVY. HEX. BOLTS-3/4"-10NC x 4" LG. W/  
 (4) HVY. HEX. NUT EACH

NOZZLE DETAIL  
 SCALE: 3"=1'-0"

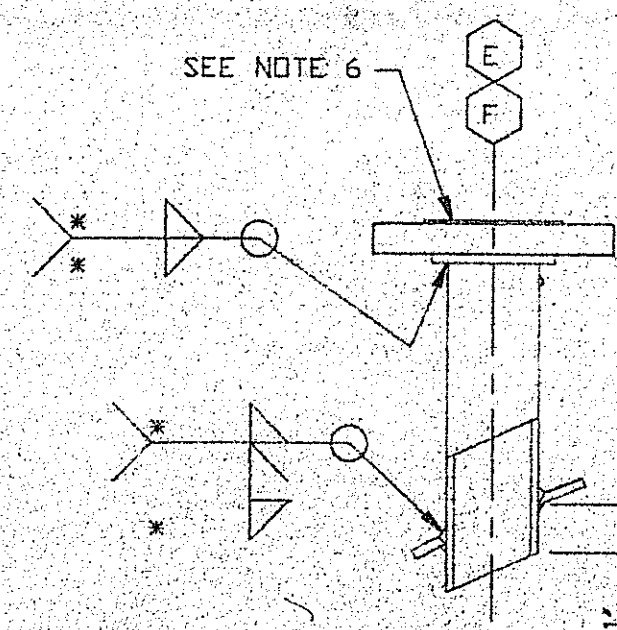


NOZZLE DETAIL  
 SCALE: 3"=1'-0"

SCREEN 14 x 14 MESH  
 .025" WIRE DIA. TACKWELDED  
 IN PLACE T304

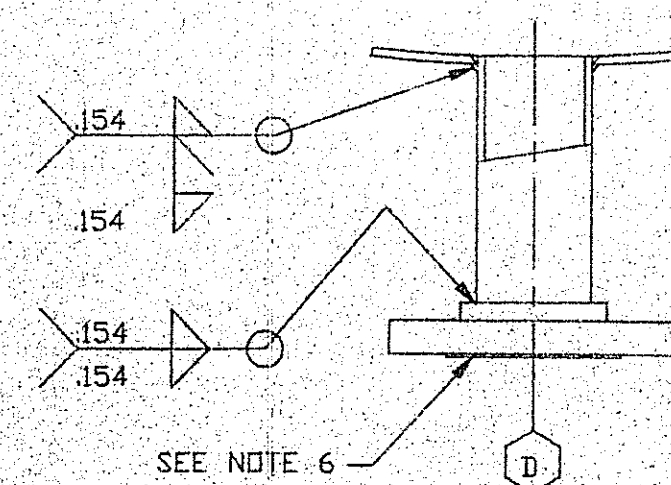


SUPPORT LEG DETAIL  
 TYP. (4) PLACES  
 SCALE: NONE



\*-WELD SIZE EQUALS NOZZLE  
 WALL THICKNESS

NOZZLE DETAIL  
 SCALE: NONE



NOZZLE DETAIL  
 SCALE: NONE

MARK	SIZE	QTY.	NOZZLE FLANGE				NECK		SERVICE
			TYPE	RAT'G.	MAT'L.	SCH.	MAT'L.		
A	8"	1	RFSD	150#	304	10s	304	INLET	
B	8"	1						OUTLET	
C	8"	1						INSPECTION w/BLIND	
D	2"	1				40s		LIQUID OUTLET	
E	1.5"	1						RELIEF	
F	1"	1						LEVEL	

MDMT = -20°F

DESIGN DATA

DESIGN CONDITIONS:	VALUE	UNIT
SHELL	14	PSIG
JACKET	N/A	PSIG
OPERATING CONDITIONS:		
SHELL	1	PSIG
JACKET	N/A	PSIG
SPECIFIED CORROSION ALLOWANCE: NONE		
CODE: ASME SECT.VIII, DIV. 1 92 ED.		STAMP: NO
STRESS RELIEF: NO		NDE: SPOT RT (RT-3)
TYPE HEADS:		
SHELL: ASME F&D		
JACKET: N/A		
TYPE SUPPORT: (4) ANGLE LEGS		
JOINT EFF.:		
VESSEL-HEAD	100%	SHELL 85%
JACKET-HEAD	N/A	SHELL N/A
SHIPPING WT.:	825#	TEST WT.: 1500#
CAPACITY:	70 GAL.	
HYDROSTATIC TEST:		
SHELL HOLD (2) HOURS @ 23		PSIG
JACKET	N/A	PSIG

MATERIALS

SHELL: VESSEL SA240-GR.304  
 JACKET: N/A  
 HEADS: VESSEL SA240-GR.304  
 JACKET: N/A  
 FLANGE SPEC.: 150# SA182-F304  
 EXTERNAL PIPE SPEC.: SA312-TP.304-WLD  
 INTERNAL PIPE SPEC.: N/A  
 CLADDING OR LINING SPEC.: N/A  
 BOLTING: BOLTS-SA193-B7/NUTS-SA194-2H HVY. HEX.  
 GASKETS: FLEXITALLIC STYLE 'CG' 316L S/S, GRAFOIL FILLED  
 INTERNALS: SA240-GR.304  
 SUPPORTS: SA240-GR.304/SA36  
 INSULATION: N/A  
 INSULATION SUPPORTS: N/A  
 PAINTING: BLAST TO SSPC-SP-6, COMMERCIAL BLAST CLEANING  
 PRIME ONE (1) COAT CARBOZINC II, 3 to 5 MIL DFT  
 PER PRIMER SPEC. 11CS-661  
 NOTES

- COVER ALL FLANGES, OPENINGS AND MACHINED SURFACES PRIOR TO SHIPMENT UNLESS OTHERWISE NOTED PER SPEC 5CS-3T1.
- NOZZLE BOLT HOLES SHALL STRADDLE 0°-180° CENTERLINE OR ITS PARALLEL UNLESS OTHERWISE NOTED.
- WELD PROCEDURES: C.E.I.S.S-1X, CC, JJ, KK, DD
- DATUM LINES TO BE PUNCH MARKED @ 0°, 90°, 180° & 270° w/ A LOW STRESS PUNCH.
- PROTECT ALL FLANGE GASKET SEALING SURFACES WHEN BLASTING.
- FLANGE GASKET SURFACE FINISH TO BE 125 TO 250 AARH. BUT NOT GREATER THAN 250 AARH.

**CERTIFIED DRAWING**  
 INDUSTRIAL PIPING, INC.  
 PINEVILLE, N. C.  
 NAME: *W. Richard Price*  
 DATE: *APR 29 1993*  
*H. Carter Alden*  
 Carrington Engineering Sales

VESSEL TAGGING  
 ALL VESSELS TO BE TAGGED w/ CAPE INDUSTRIES P.D. No. P-25968-N  
 TAG S.D. W8260-1: S-2520-8  
 TAG S.D. W8260-2: S-4520-8  
 TAG S.D. W8260-3: S-6520-8

\*-AS AGENT FOR CAPE INDUSTRIES  
 P.D. NO. 2265 **#104186**

**FILE COPY**  
 DO NOT REMOVE FROM  
 FILES

NO.	DATE	REVISION	REMARKS
1	4/21/93		REVISED PER CUSTOMER MARK-UP DRAWING DATED 4/26/93

SCALE: 1 1/2"=1'-0" & AS NOTED  
 DATE: 4/1/93  
 DRAWING NO. **D938260**  
 SHEET 1 OF 1

VOC Moisture Separator  
 for  
 Carrington Engineering Sales Co.\*  
 Charlotte, NC  
**Industrial Piping, Inc.**  
 SERVICE IS QUALITY  
 P. O. BOX 518  
 PINEVILLE, NORTH CAROLINA 28134  
 DRAWN BY: *Dennis*  
 CHECKED BY: *R.B.P.* 4/5/93  
 CONTRACT NO. **W8260**  
 FILE NO. **VDWG8260R1**