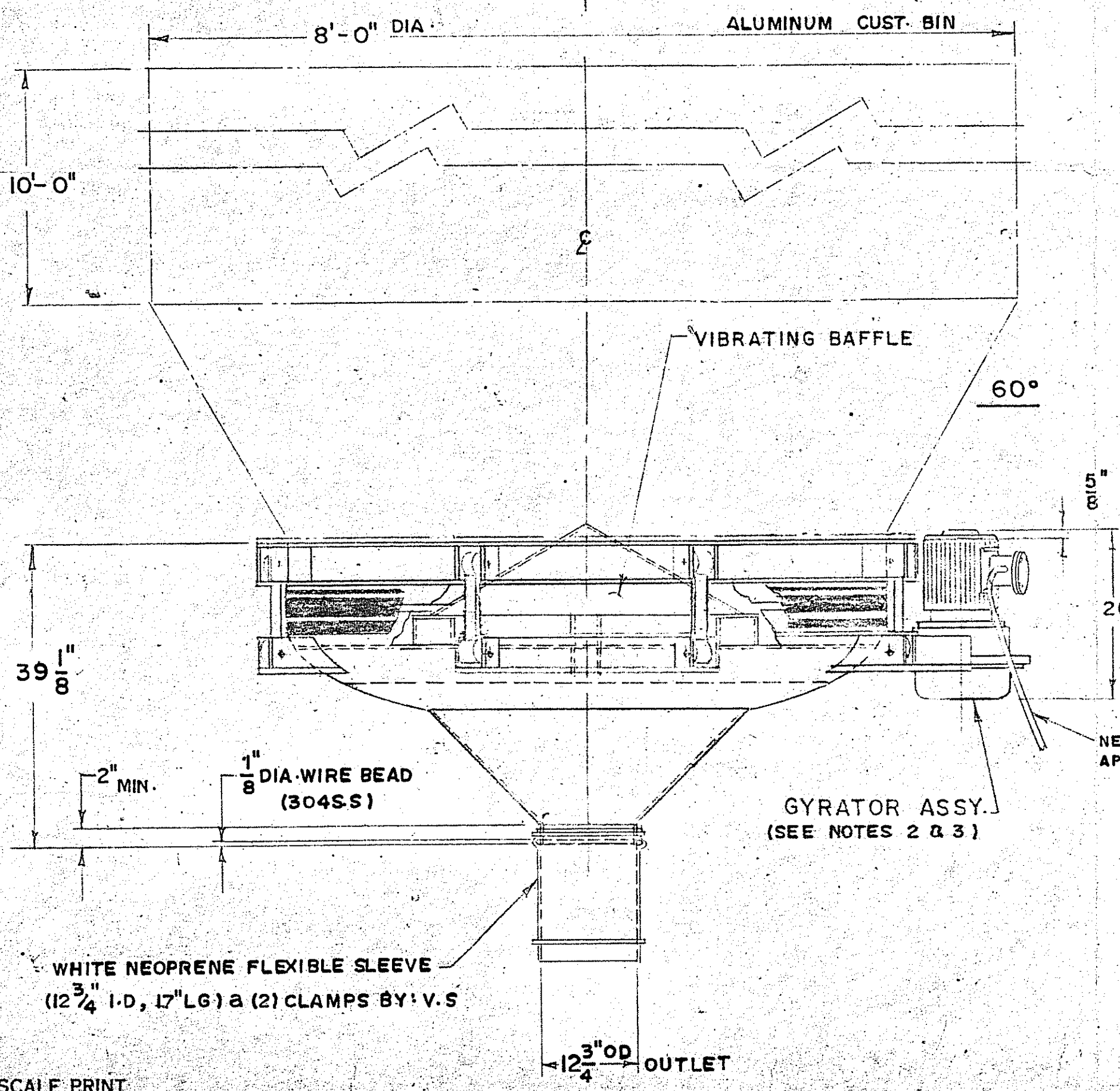
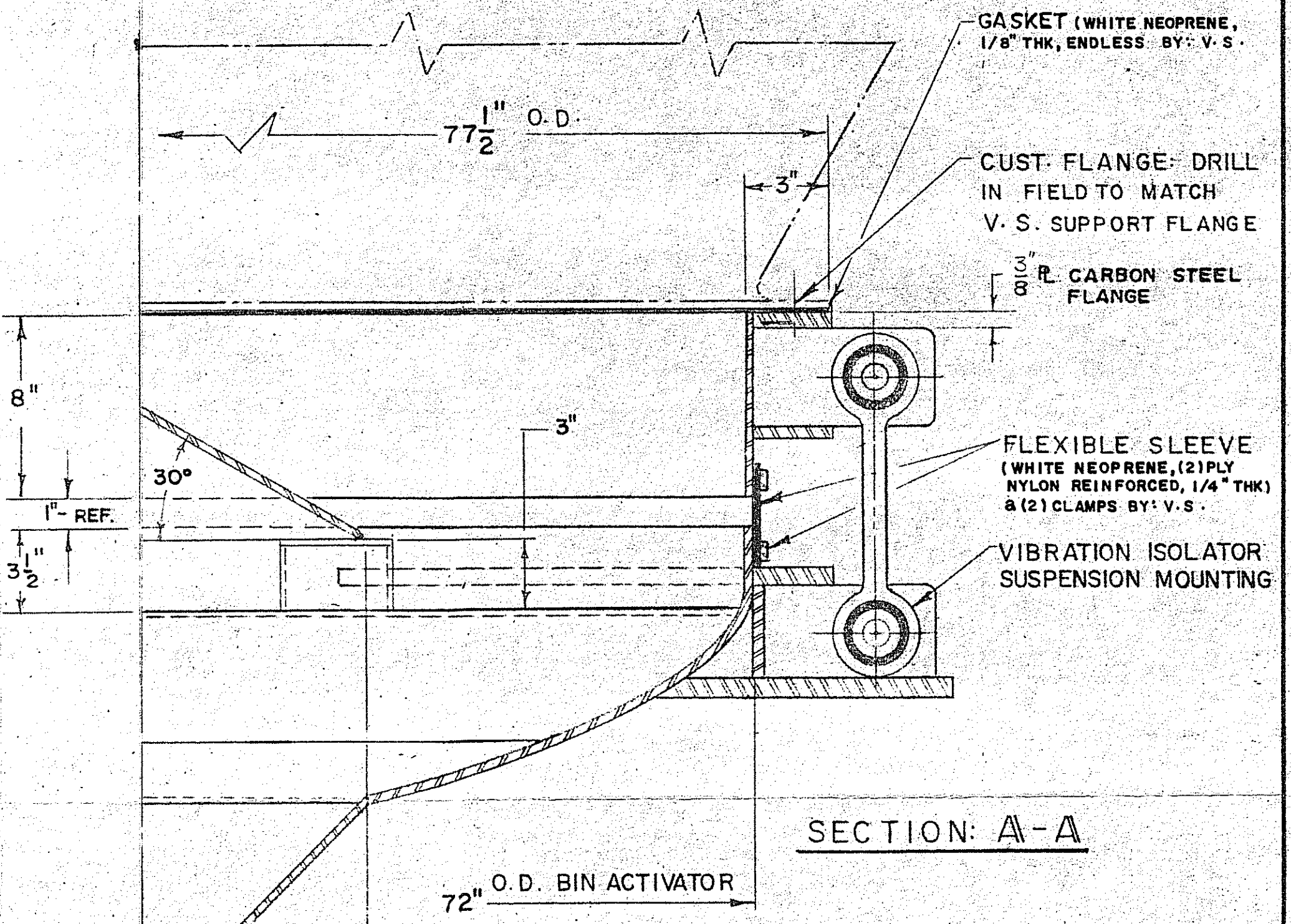
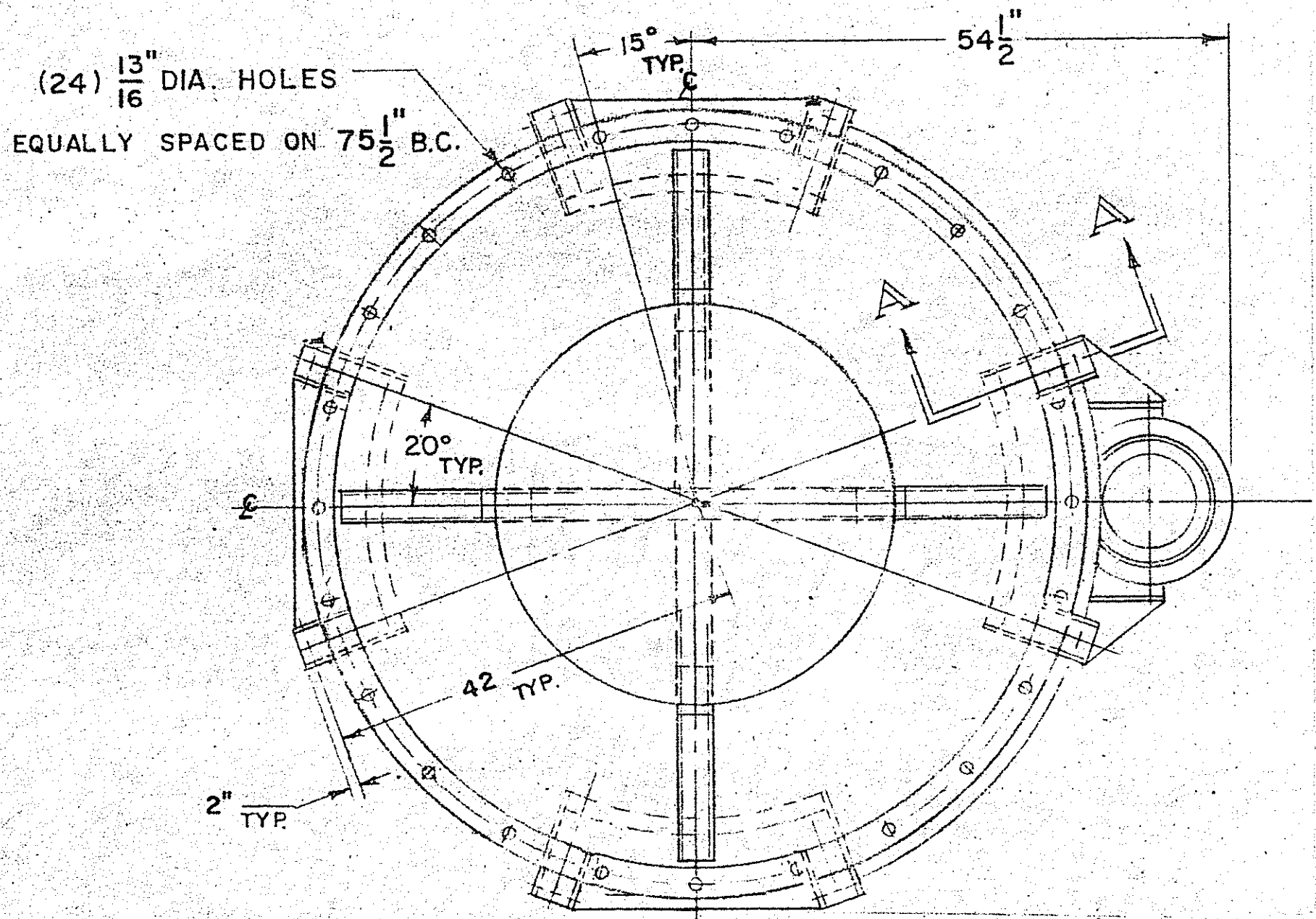


LET.	REVISIONS	DATE
A	OUTLET SIZE CHANGED, WAS 12" FLANGE DELATED, BEAD & FLEX SLEEVE ADDED, HEIGHT WAS 39 1/2" CERTIFICATION ADDED	6-6-72



CERTIFIED DIMENSIONS
VIBRA SCREW
SIZE 6'-0" DIA. BIN ACTIVATOR
DATE 6-6-72
BY: J. R. Lardot

- NOTES:
- CONTACT MATERIAL TO BE: 304 STAINLESS STEEL.
 - MOTOR TO BE: 2-HP. EXPL. PF., 1750 RPM
460/3/60 RELIANCE, CHEM TYPE, SERV. FACTOR: 1-15, FRAME: 182TDZ, CLASS: I, GROUP: D. CLASS II, GROUP: E, F, G.
 - ALL ELECTRICAL CONNECTIONS TO BE FLEXIBLE.
 - ALL CONNECTIONS TO BIN ACTIVATOR TO BE FLEXIBLE.
 - CARBON STEEL SURFACES TO BE SANDBLASTED & PAINTED (1) COAT PPG. METALHIDE 100 ZINC PRIMER 2.5 MIL. DRY MINIMUM.
 - METAL TAG. (304S.S.) "EQUIPMENT NO: H-4082-7"
 - HERCULES INC. P.O. NO: 336 026 35215 04 000 BPH.

MATERIAL: T.P.A. (TEREPHTHALIC ACID)

BULK DENSITY: 38-72 LBS/FT³

FLOW RATE: 60,000 LBS/HOUR

MOISTURE: DRY

TEMPERATURE: 200° F.

PRESSURE: ATMOSPHERIC

103994

THE RECIPIENT OF THIS DOCUMENT AGREES NOT TO REPRODUCE, COPY, TRANSMIT OR USE THIS DOCUMENT AND/OR THE INFORMATION CONTAINED IN THIS DOCUMENT IN WHOLE OR IN PART, FOR ANY PURPOSE, EXCEPT WITH THE WRITTEN PERMISSION OF VIBRA SCREW FEEDERS, INC.

Vibra Screw Feeders, Inc.		
755 UNION BLVD.		TOTOWA, N. J. 07512
TITLE 6'-0" DIA. BIN ACTIVATOR WITH BOLTED SEAL RING		
FOR: HERCULES INC.		
DWN. 5-18-72 F.H.	CHK. BY JR.	DWG. NO. BA721313
SCALE NONE	APP. BY	