

GENERAL TOLERANCES		Nominal measure									
Welded constructions (DIN 6910)	Precision class	>0,3 <-0,3		>0,6 <-0,6		>1,2 <-1,2		>2,5 <-2,5		>5 <-5	
		A	B	A	B	A	B	A	B	A	B
Machining (DIN 6910)	Tolerance class	±0,1	±0,2	±0,3	±0,5	±1,2	±2	±3	±4	±5	±6
		Medium									

<b>URS</b>	Project No.	30122	Date Received	4/28/2011
	Project Name	Clearfalls		
	Equipment No.	5111	Co. Print No.	33
	Equipment Tag(s)			

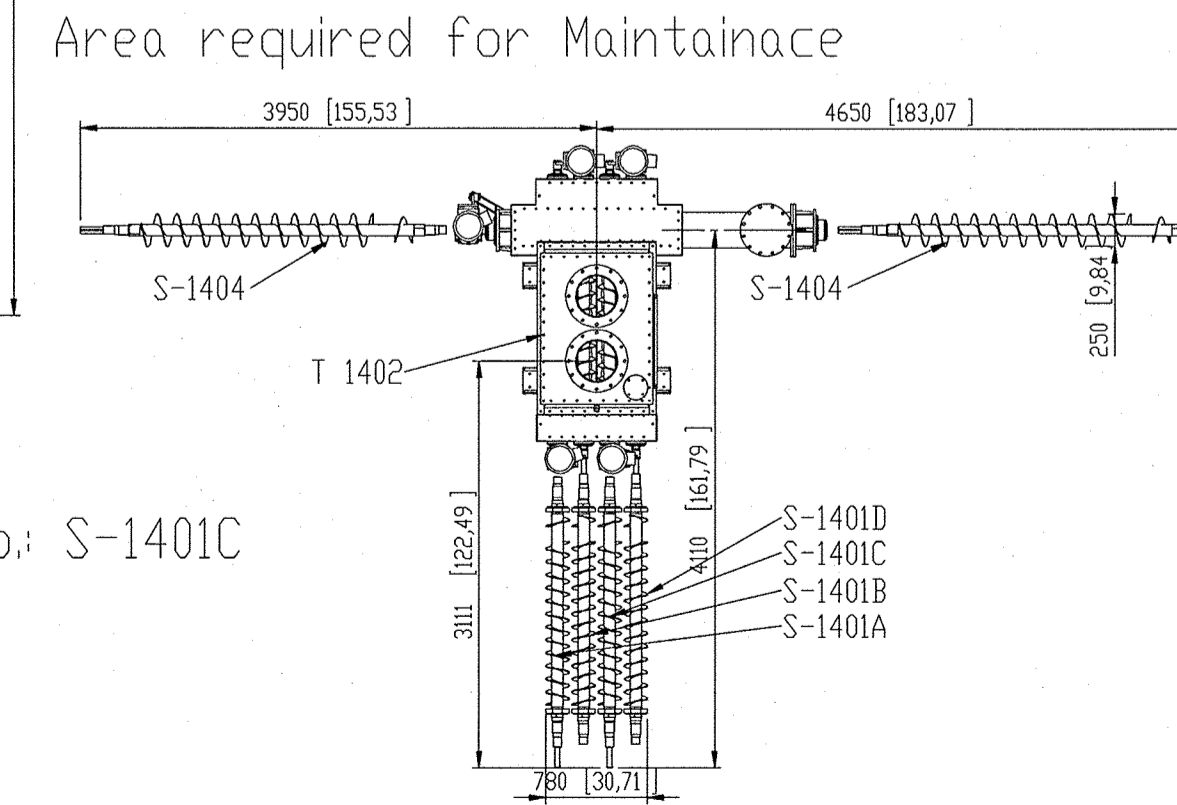
✓ NC-R = No Comments - Released for Fabrication  
 ✓ WC-R = With Comments - Released for Fabrication with Comments Incorporated  
 ✓ R = Rejected - Not Released for Fabrication  
 ✗ NR = Engineer's Review Not Required - Considered for Information Only  
 ✗ V = Void  
 ✗ Record Document Submittal Required

Note: Status (WC-R) and (R) require re-submission of affected documents with comments addressed. Status (NC-R) requires re-submission only if designated as "Record Document Submittal Required".  
 Date: 5/16/11  
 Signature: [Signature]

Item No	Material	Lenght mm	Widht mm	Height mm	Motor HP	Weight kg
T 1402	SA 240 304	2000	2955	1640	-	1283 kg
S1401 A-D	SA 240 304	2225	180	180	1 HP	176 kg/pc
S 1404	SA 240 304	2892	250	250	5 HP	260 kg
Total						2248 kg

Auslegungs und Betriebsdaten/Construction and working data			
Medium	Biomass		
Inhalt/Volum	Total	1300 l	
	Operating	600 l	
Zul. Betriebsüberdruck/Working pressure min/max	+0,2/-0,2	bar	
Zul. Betriebstemperatur/Working temp. min/max	100	°C	
Berechnungsüberdruck/Design pressure min/max	+0,2/-0,2	bar	
Berechnungstemp./Design temp. min/max	100	°C	
Probeldruck/Test pressure	-	bar	
Korrosionszuschlag/Corrosion allow	0		
Abnahme/Inspected by	-		
Fabr.-Nr./Serial-no.	2225/01		
Baujahr/Year of manufacture	2011		
Korrosionsschutz/Protection against corrosion	pickled and passivated		
Isolierung/Isolation	no		
Leergewicht/Weight empty	2248 kg	Betriebsgewicht/Operation weight	2400 kg
		Gefüllt/Gewicht/Full weight	2600kg
Hauptwerkstoffe/Main material	SA 240 T 304		

Stk	Stk.	Dim.	Norm	Beschreibung	Rohranschluss
Mark	Piece	DN PN	ANSI/DIN	Description	Tubedimension
AI/2	2	12" CL150	B16.5	Inlet	323,9 x 4
B	1	250	-	Outlet	273 x 4
C	1	250	-	Inspektion hole	273 x 4
D	1	600x600	-	Manhole	600x600
E1-4	4	3/4" NPT	-	Levelcontro (plugged)	-
F	1	3"	CL150 B16.5	Vent/blinded	88,9 x 4
G1-3	3	1" NPT	-	Prestrain in (plugged)	-
H1-2	2	1" NPT	-	Drain (plugged)	-
I1-2	2	1" NPT	-	Drain (plugged)	-
K1	1	1311 x 583	-	Cover Dischargescrew Tail End	Blindcover
K2	1	919 x 206	-	Cover Drive End	Blindcover



This document contains confidential and proprietary information of URS Consultants, Inc. It is intended solely for the use of the individual or entity to whom it is addressed. If you have received this document by mistake or are in doubt as to the correctness of the information herein, please do not disseminate it and notify the sender immediately by e-mail or telephone.

**SURGE HOPPER**  
**Equip. No.: T1402**  
**CONFORMS TO ISO STANDARDS**

Customer	APC	Basic Material Name	Basic Material Standard	Net Weight	kg
Customer	Customer Drawing No.	306 / 2396 L	SA 240	1283	
Product Type	Product Code	Description Line 1	Desig	Date	
Scale	Scale	Description Line 2	Desig	Date	
Revision	Revision	Description Line 3	Desig	Date	
Approval			Approval	Date	
Approval		Approval	Approval	Date	
SAP Mat. No./Variant	Reference Drawing			Rev.	Rev.
SAP Mat. No./Element	Reference Drawing			Rev.	Rev.
				701876977	E 1 A