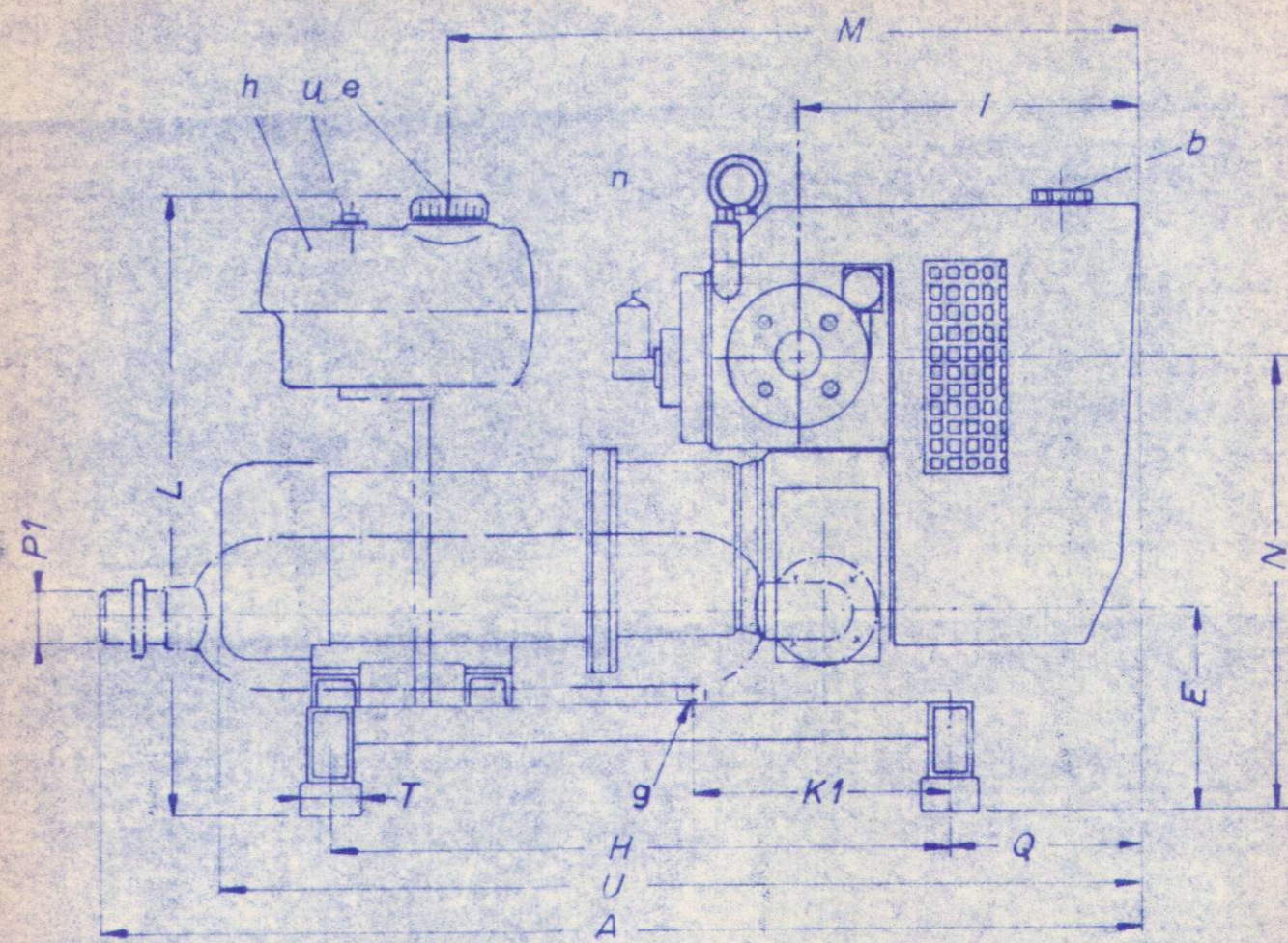
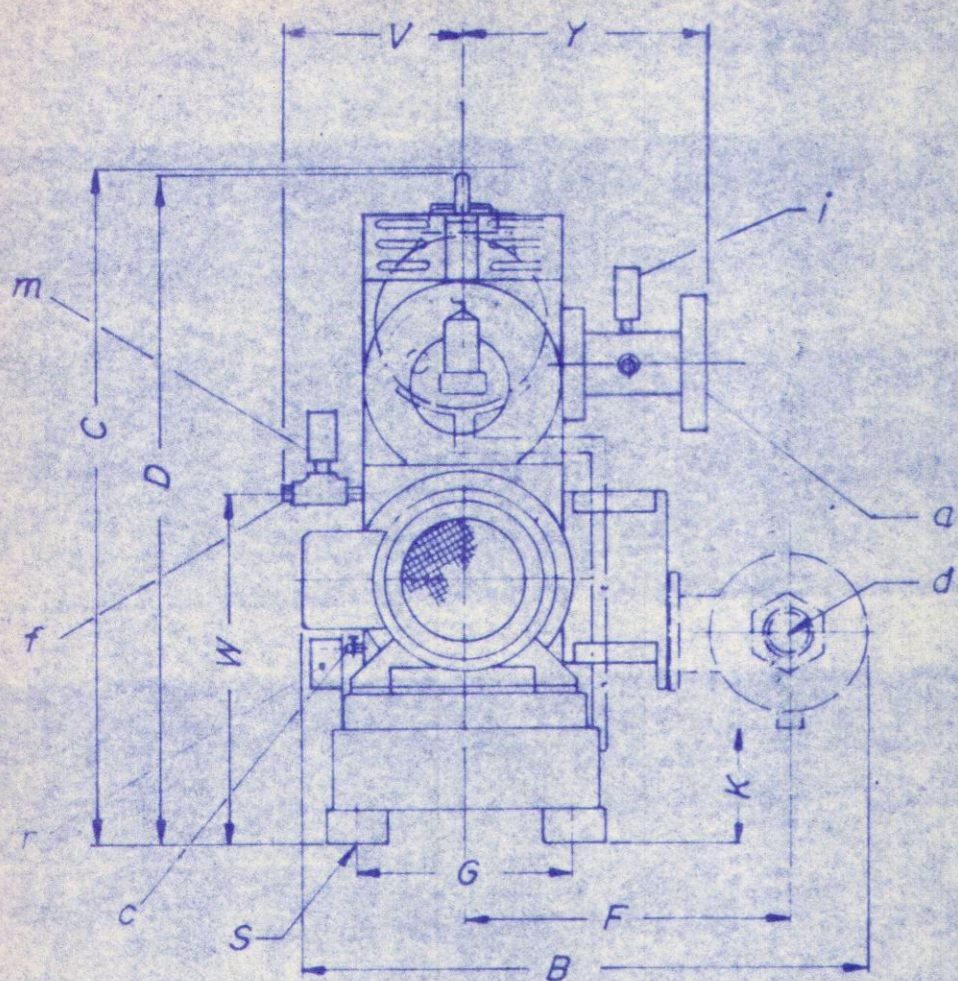
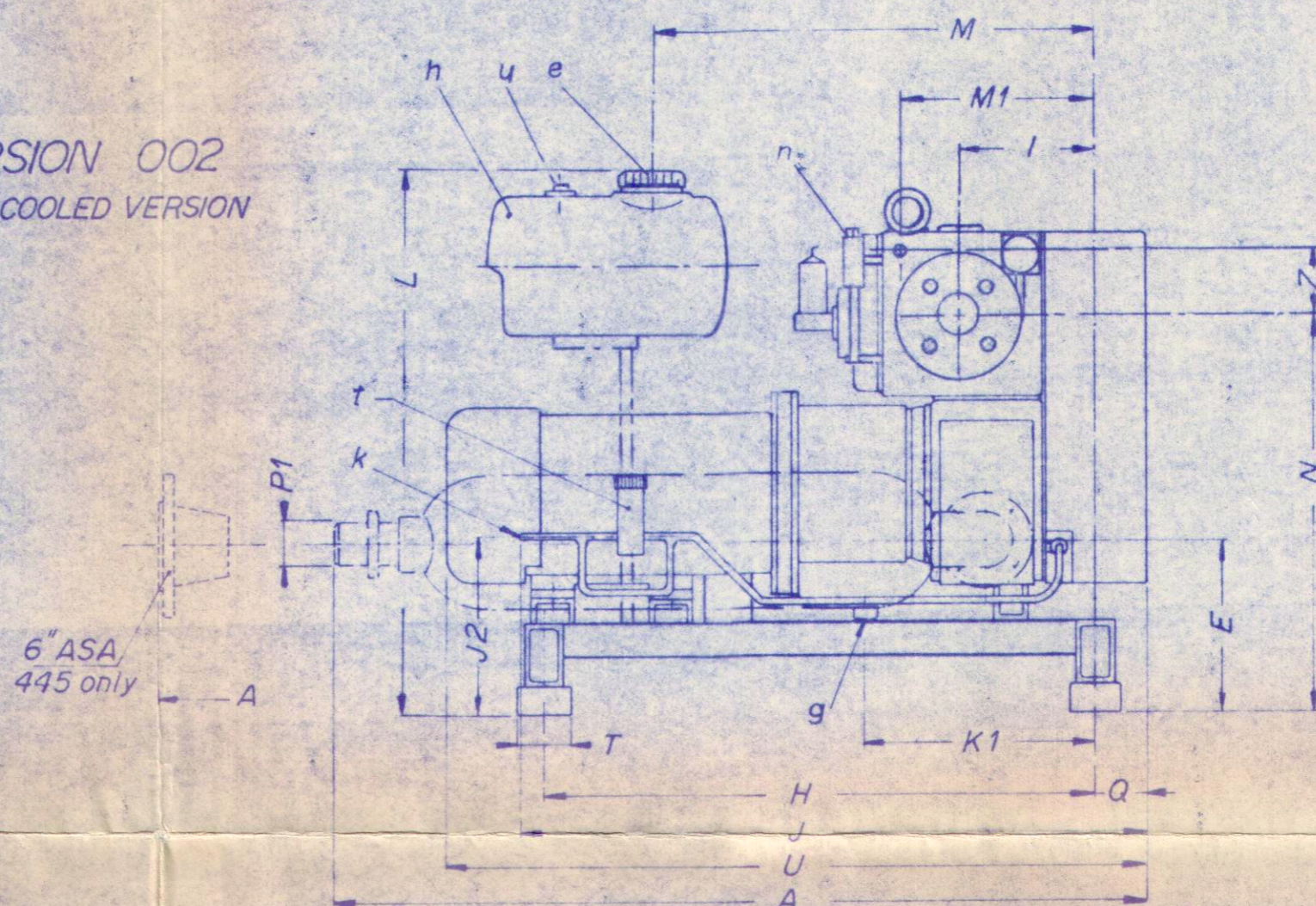
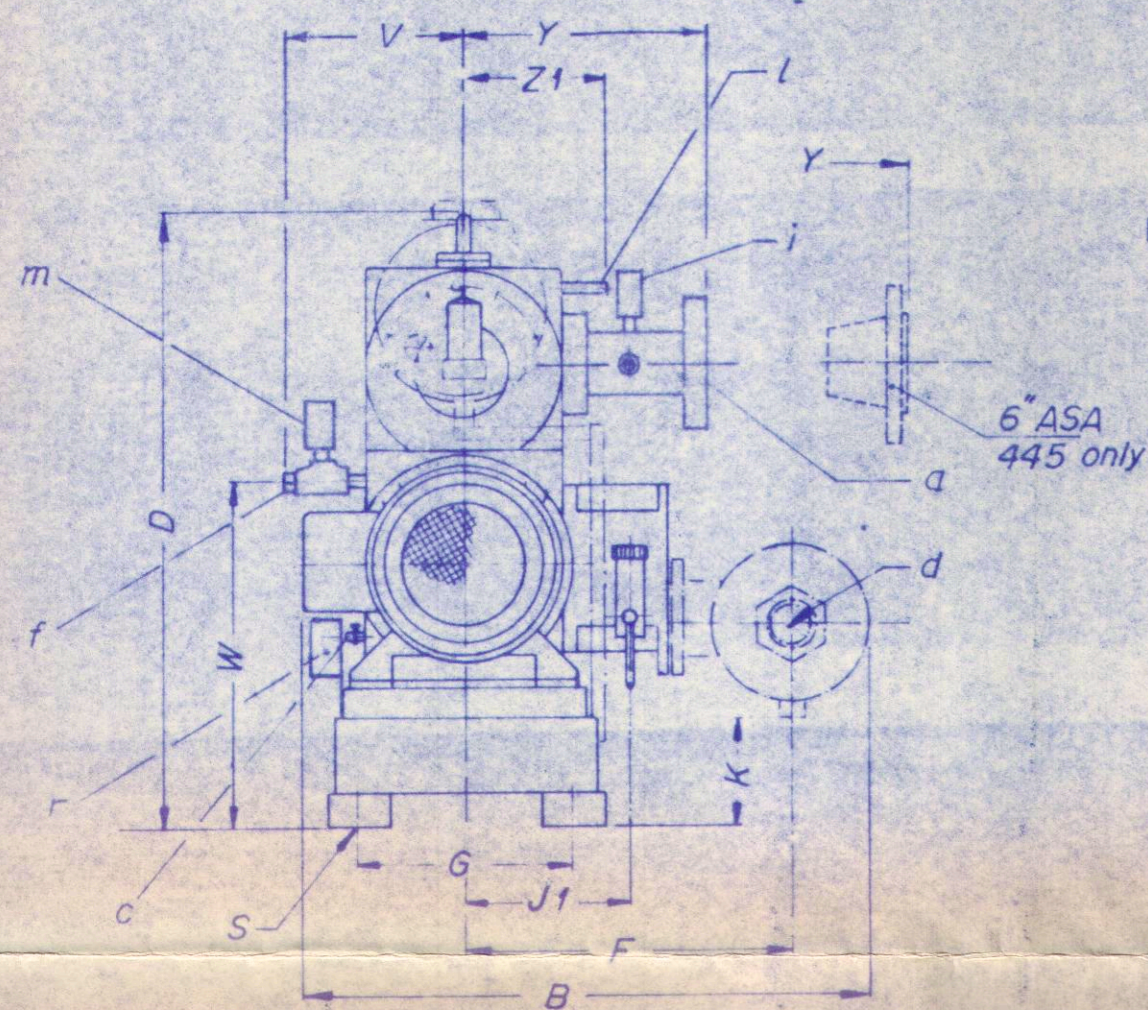


VERSION 014  
AIR COOLED VERSION



VERSION 002  
WATER COOLED VERSION



- a INLET
- b WATER FILL CAP
- c COOLING WATER DRAIN VALVE
- d EXHAUST
- e OIL FILL CAP
- f 2<sup>nd</sup> SUCTION CONN. (445 - 1 1/4")
- g OIL DRAIN PLUG 1/2 NPT.
- h OIL RESERVOIR
- i INLET PRESSURE SWITCH
- k COOLING WATER INLET (1/2 HOSE (3/4 FOR 445))
- l COOLING WATER OUTLET (SAME)
- m INTERSTAGE PRESSURE SWITCH
- n WATER LEVEL SWITCH
- r EXHAUST TEMPERATURE SWITCH
- t WATER CONTROL VALVE
- u OIL LEVEL SWITCH

Z1	Z1* for 445	-	4 1/2	-	5	-	7	-	9 7/8	11
Z	Z* for 445	-	6 1/2	-	4 1/8	-	9 1/8	-	6 5/8	5
Y		10 1/2	10 1/2	11	11	12 1/2	12 1/2	14 1/2	14 1/2	16
W		16 7/16	16 7/16	18 1/8	18 1/8	22 7/16	22 7/16	22 11/16	22 5/8	29 1/2
V		6 1/16	6 1/16	6 9/16	9 1/8	8 3/16	8 3/16	10	13 1/8	13 3/8
U		46 1/16	39 7/8	50 3/16	43 3/8	54 3/4	45 5/8	64 1/2	53 1/4	60 9/16
T	Dia.	3	3	3	3	3	3	3	3	4
S	METRIC THREADED HOLE	M 12	M 12	M 12	M 12	M 12	M 12	M 12	M 12	M 16
Q		7 11/16	0	10 1/2	4 3/4	10 1/2	1 1/8	15 9/16	6 7/8	1 1/4
P, P1	NPT (For 445, Flange Conn. 150")	2", 2"	2", 2"	2", 2"	2", 2"	3", 2"	3", 2"	3", 2"	3", 2"	6" ASA
N		23 3/8	23 3/8	24 3/16	24 3/16	30 7/16	30 7/16	31 1/8	31 1/8	43 1/8
M1	M1* for 445	-	12 13/16	-	11 13/16	-	16 3/4	-	16 13/16	26 3/4
M		36	28 1/4	37	26 1/2	43	34 1/2	40	34 1/2	45 1/4
L		31 5/16	31 5/16	32 7/8	32 7/8	41 3/4	41 3/4	41	44 3/4	48
K1		15 15/16	15 15/16	14	14	16 1/4	16 1/4	14 3/8	14 3/8	27 3/4
K		5 3/8	5 3/8	6	6	7 13/16	7 13/16	8 1/4	8 1/4	8 5/16
J2		-	11 1/4	-	11 1/4	-	12 13/16	-	13 13/16	13 3/8
J1		-	8 11/16	-	9 1/16	-	10 3/4	-	12 5/8	14 9/16
J		-	36 7/16	-	37 5/8	-	44	-	53 1/8	51 1/4
I		15 15/16	8 1/4	18 3/8	7 7/8	22 1/16	11 1/2	25 3/16	9 5/8	17 5/8
H		32 5/16	32 5/16	33 1/16	33 1/16	38 13/16	38 13/16	42 15/16	42 15/16	52
G		10 5/8	10 5/8	11 7/16	11 7/16	14 3/4	14 3/4	18 1/2	18 1/2	21 11/16
F		16 3/16	16 3/16	16 11/16	16 11/16	18 3/16	18 3/16	20 1/8	20 1/8	25 7/8
E		10	10	10 5/8	10 1/2	12 7/16	12 7/16	12 7/8	12 3/4	14 13/16
D		28 15/16	28 15/16	34 7/8	31 15/16	43 1/2	39 5/8	45 1/8	41 1/2	57 1/4
C	C* for 445	35 3/8	35 3/8	38	31	45 1/8	45 1/8	46 1/4	39 1/2	65 1/2
B		27 7/16	27 7/16	31 7/16	31 7/16	32 15/16	32 15/16	38 1/16	38 1/16	46 7/16
A		55 5/8	49 7/16	56 1/2	50 1/4	58 13/16	49 11/16	61 15/16	52 5/16	61 1/2
WEIGHT APPROX	lbs.	530	480	730	680	1270	1170	1800	1720	3400
MOTOR SPEED	R.P.M.	1800	1800	1800	1800	1800	1200	1200	900	900
MOTOR SIZE	HP	1.0	1.0	1.5	1.5	2.0	2.5	2.5	4.0	4.0
ULTIMATE PRESSURE	TORR	0.5	0.5	0.5	0.5	0.5	0.5	0.5	0.5	0.5
FREE AIR DISPLACEMENT	C.F.M.	1.25	1.25	2.00	2.00	3.10	3.10	5.00	5.00	7.80
TYPE		014	002	014	002	014	002	014	002	002
		429	433	437	441	445				

ALL DIMENSIONS ARE IN INCHES UNLESS OTHERWISE NOTED.

**BUSCH** Busch, Inc. HBO4

ROTARY VANE VACUUM PUMP

HUCKEPACK DIMENSIONAL OUTLINE

9.10.84

N.T.S.

SEP 26 1988

C1296C