

NOTES:

1. MAIN TERMINAL BOX IS FREE STANDING AND MUST BE SUPPORTED FROM BELOW BY CUSTOMER. APPROXIMATE WEIGHT OF BOX: 400 LB.
2. APPROXIMATE WEIGHT OF MOTOR: 5,150 LB. AND ROTOR 1089 LB.
3. THIS MOTOR IS SUITABLE FOR DIRECT CONNECTION ONLY.
4. THIS MOTOR IS SUITABLE FOR ROTATION IN EITHER DIRECTION.
5. WHEN LIFTING MOTOR, LIFT BY TWO DIAGONALLY OPPOSITE TRUNNIONS AT THE SAME TIME.
6. SHIMS MAY BE NECESSARY UNDER MOTOR FEET.
7. NON-DRIVE END BEARING IS INSULATED, INSULATE ANY CONNECTIONS TO THIS BEARING.
8. THE NORMALLY CLOSED THERMOSTATS IN THIS MOTOR SHOULD BE CONNECTED TO CAUSE THE STARTER TO OPEN WHEN THEIR PRESET TEMPERATURE IS REACHED. THE CONTACT RATING IS 360 VA @ 120-600 VOLTS AC.
9. FLOOD LUBRICATION DATA: .25 GPM PER BEARING AT 25 PSIG. .047 DIA. DRIFICE PROVIDED IN EACH OIL SUPPLY LINE TO REGULATE OIL FLOW.
10. CONSTANT LEVEL OILERS ARE FOR SELF LUBRICATION ONLY.

MOTOR DATA:
 ROTOR END FLOAT = .50"
 END FLOAT OF LTO END FLOAT CPLG = .19"
 OIL CAPACITY PER BEARING = 1.7 QT DRIVE END, 1.8 QT NON-DRIVE END.
 USE A HIGH QUALITY TURBINE OIL HAVING A VISCOSITY OF 300 TO 350 SUS @ 100°F (150 VG 68)
 FOR ALIGNMENT REQUIREMENTS SEE THE INSTRUCTION BOOK.

01 1-13-05

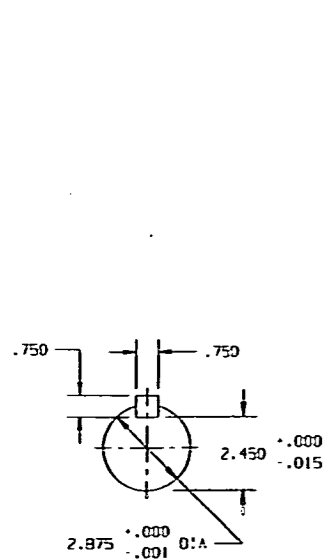
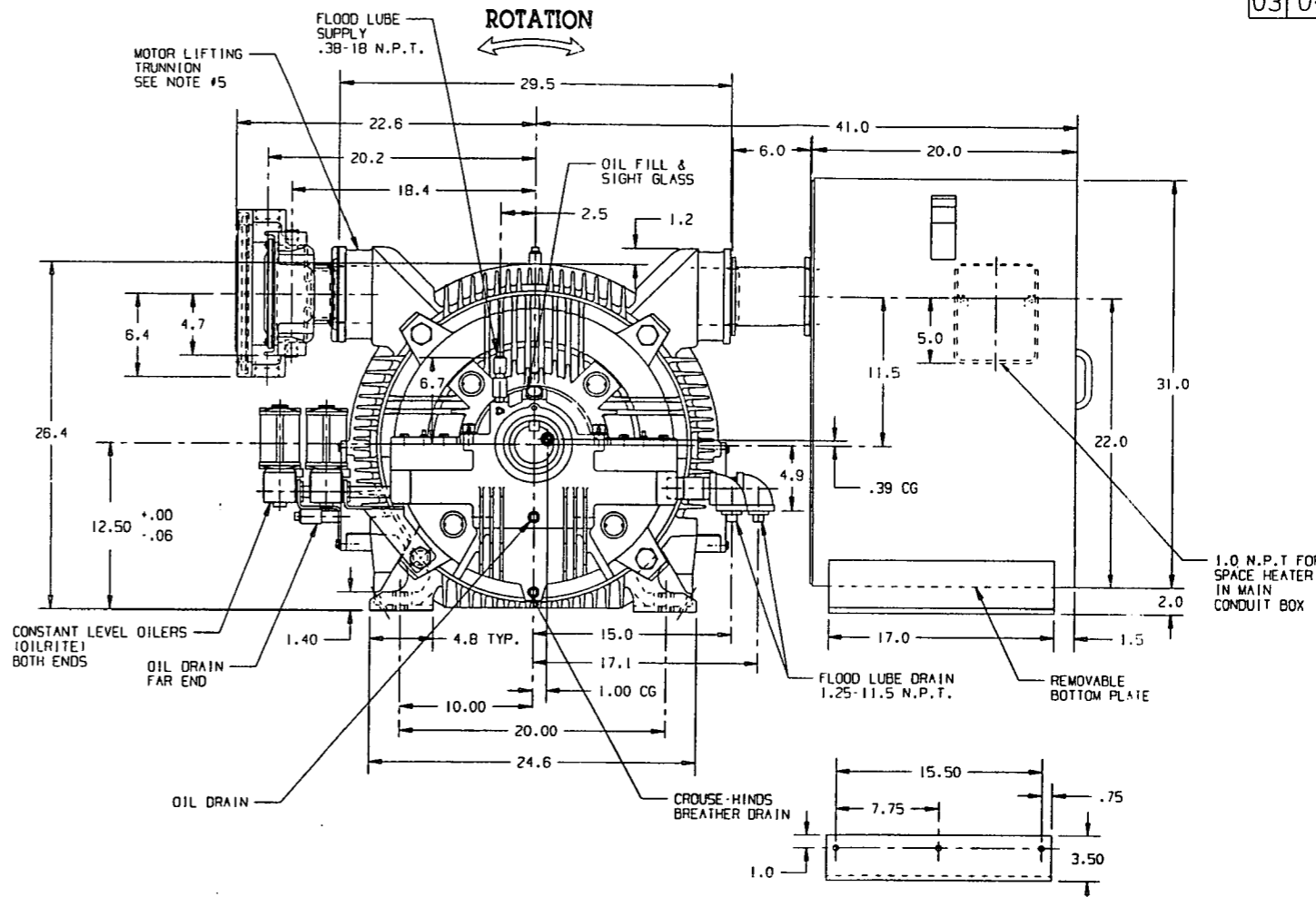
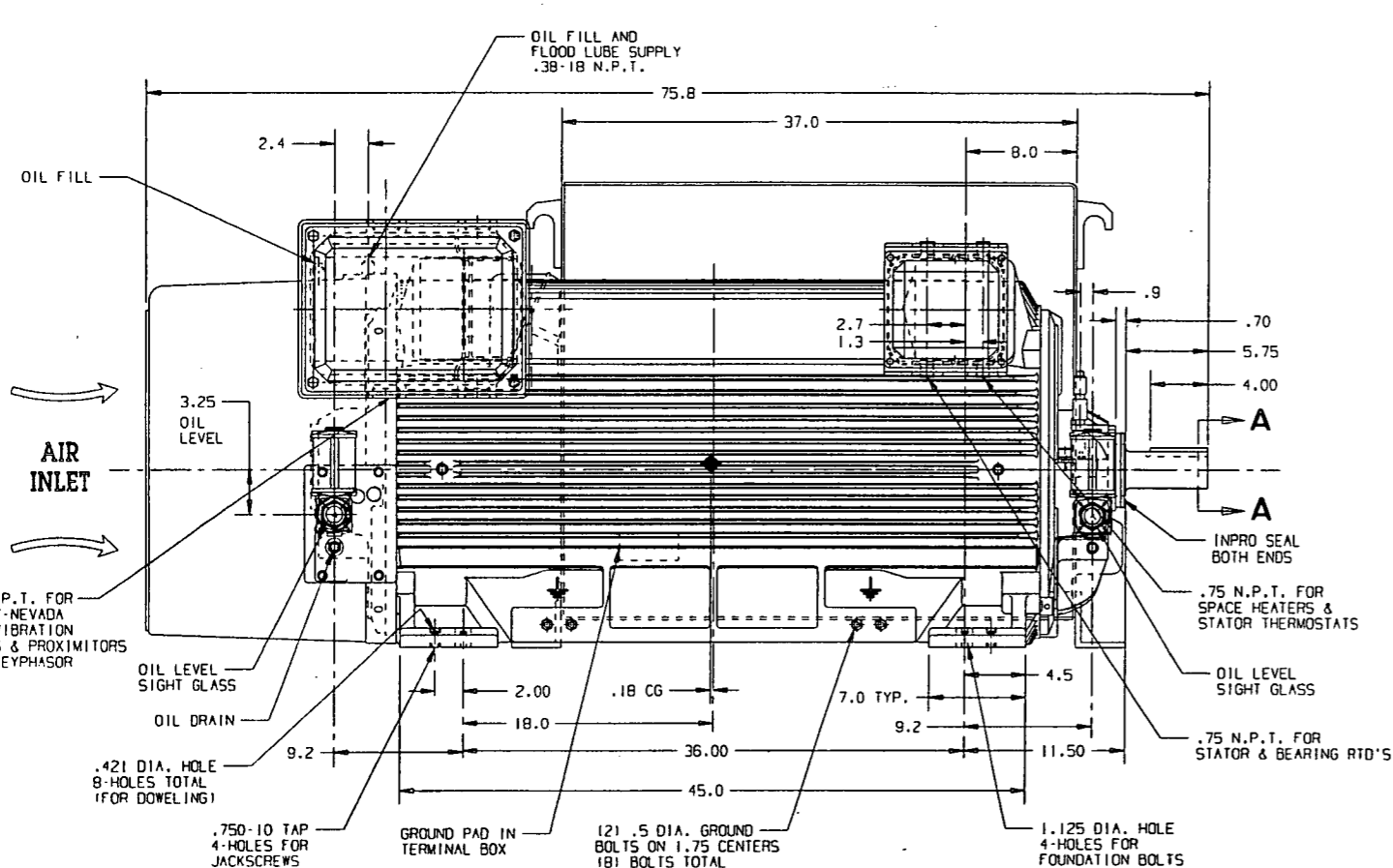
THIS IS A CAD DRAWING NO MANUAL CHANGES ARE ALLOWED

NOTE #1 WAS MAIN BOX MAY BE ROTATED IN STEPS OF 90°
 NOTE #2 WAS .15 GPM/PSIG .037" DIA DRIFICE
 OIL FILL LABEL ON NON-DRIVE END OF MOTOR ADDED
 MAIN TERMINAL BOX RE-DESIGNED COMPLETE 1 WAS BOX SIZE FAB21 FEET ADDED.

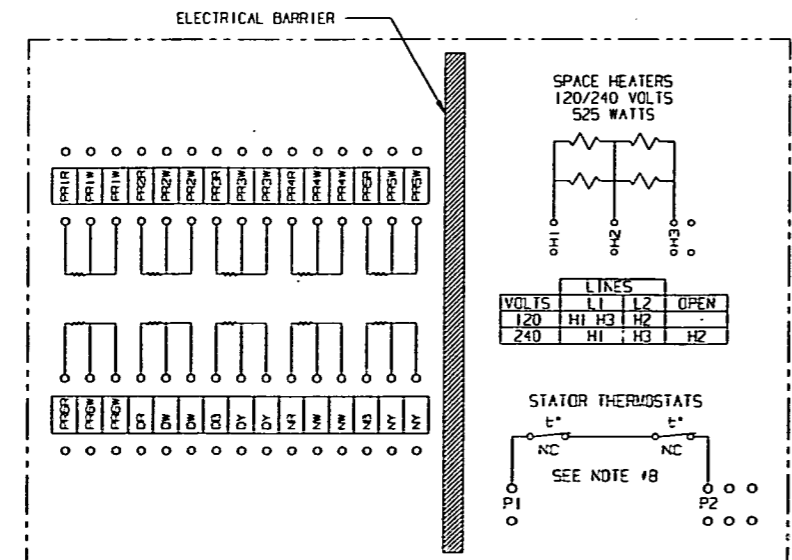
02 01-20-05 MB

18-101 SPACE HEATER CONN. DIAG. IN MAIN TERMINAL BOX UPDATED TO DUAL VOLTAGE.
 EFF. FUT. ESO

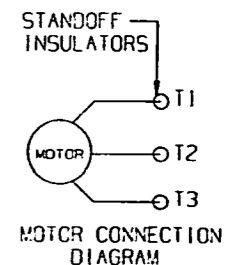
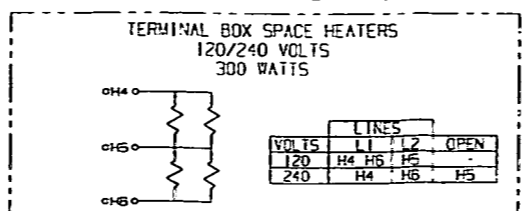
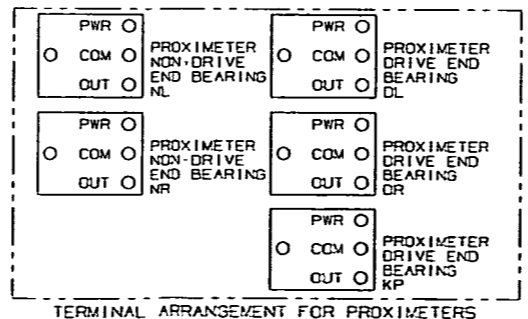
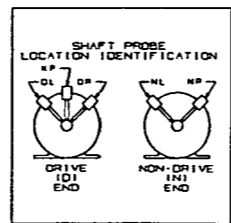
03 04-12-05 MB



SECTION A-A



TERMINAL BOARD ARRANGEMENT IN AUXILIARY BOX FOR SPACE HEATERS & STATOR THERMOSTATS, 100-OHM STATOR & BEARING RTD'S



SIEMENS
 CERTIFIED PRINT
 CUSTOMER DETAIL CHANGES MAY AFFECT PRICE AND DELIVERY. PRODUCTION WILL PROCEED ON THE BASIS OF THIS DRAWING.
 CUSTOMER ENGINEERING DESIGNS TRANSFER
 P.O. # 1003-ES-323
 E17880-01

HP	RPM	Frame	Type	Volts	Pb	Hr
453	1800	50115	CZ	4300	3	60

E17880-01
 CONFIDENTIAL - PROPERTY OF
Siemens Energy & Automation, Inc.
 POWER CONVERSION DIVISION
 NORWOOD PLANT

OUTLINE

STANDARD SHAFT EXTENSION 2.875 X 5.75 4-POLE SLV BRG

DR RGS 1-13-05	72-117-880-011	CZ 50115
AP ESO	SCALE .15	1 of 1
		72-117-880-011

72-117-880-011