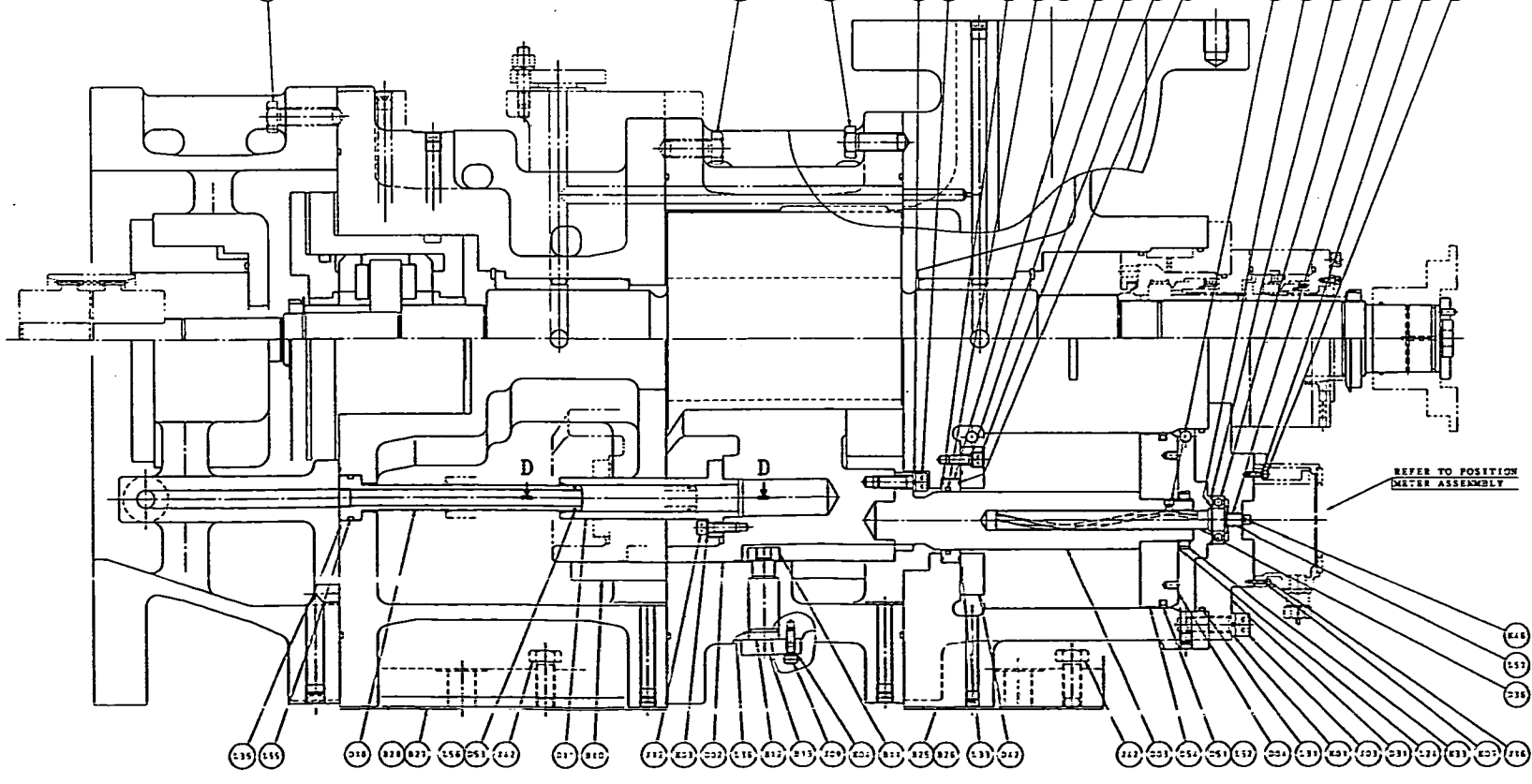
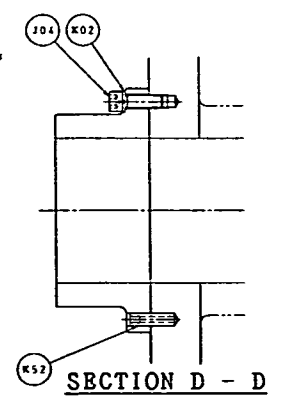
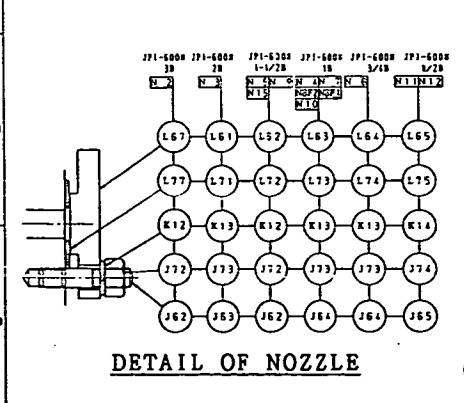
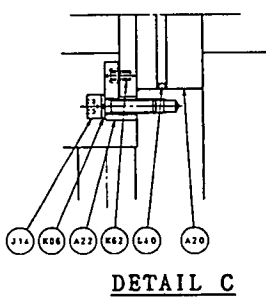
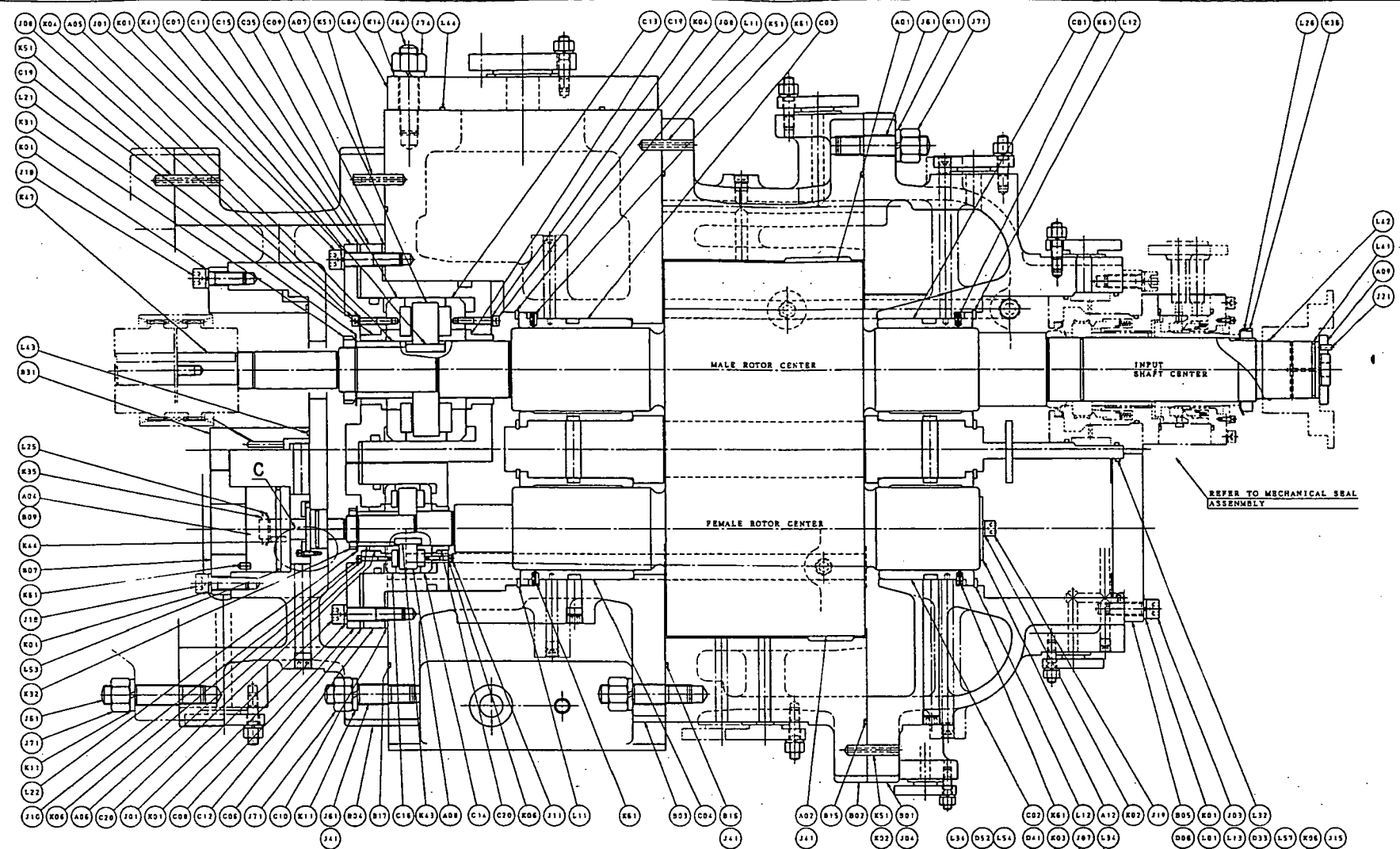


DRAFTING NOTES
O/HM



(1st stage)

REV. NO.		REV. DESCRIPTION	DATE	BY	CHECKED	APPROVED	DATE
1							
PART NO.		NAME	SCALE	QUANTITY		REVISIONS	
M3310:537		SECTION ASSEMBLY		K5315E3			
DRAWN BY		CHECKED	APPROVED	DATE		SCALE	
M3310:537						1:1	
MATERIAL		FINISH	QUANTITY	REVISIONS		DATE	
SCB						0A01778	