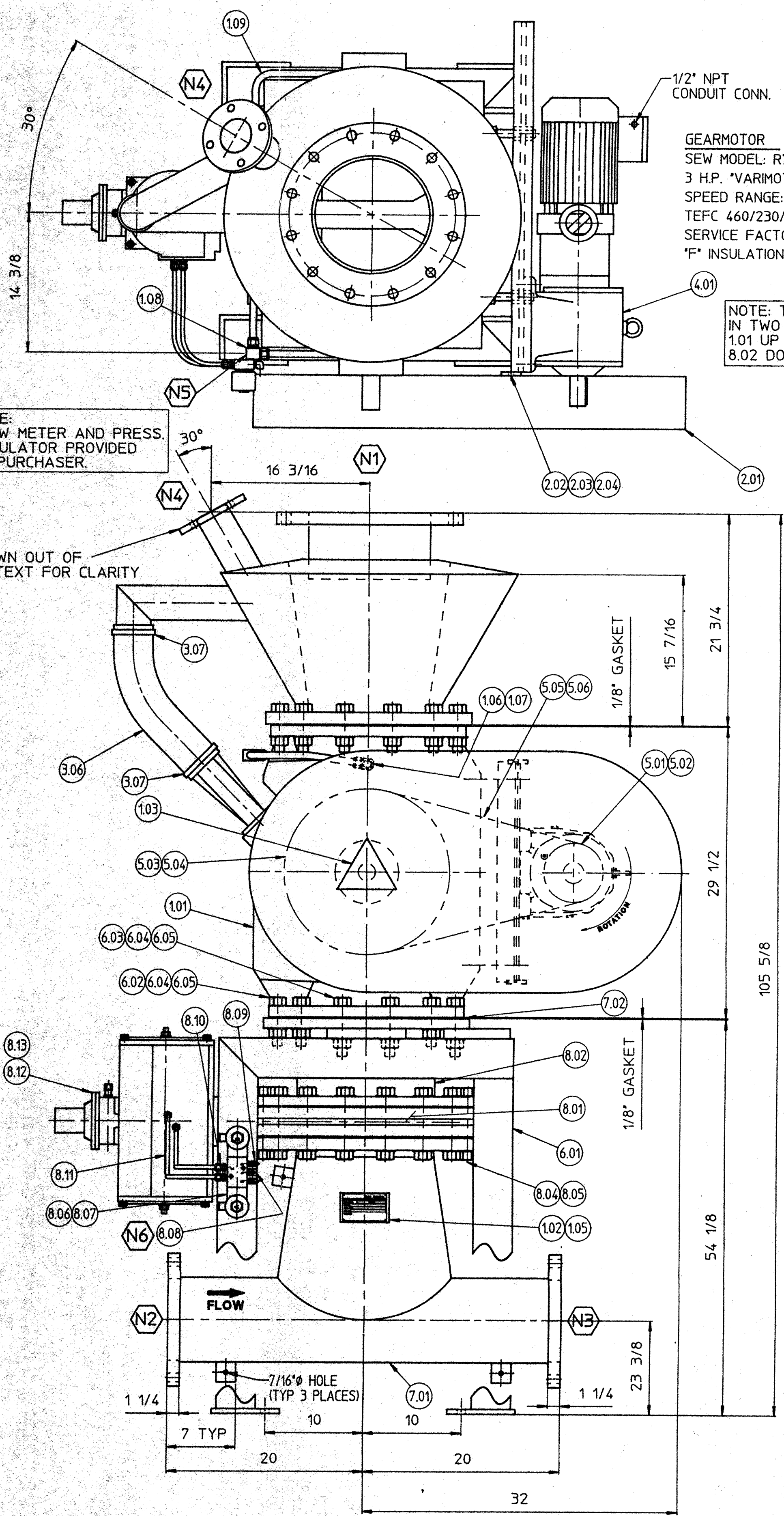


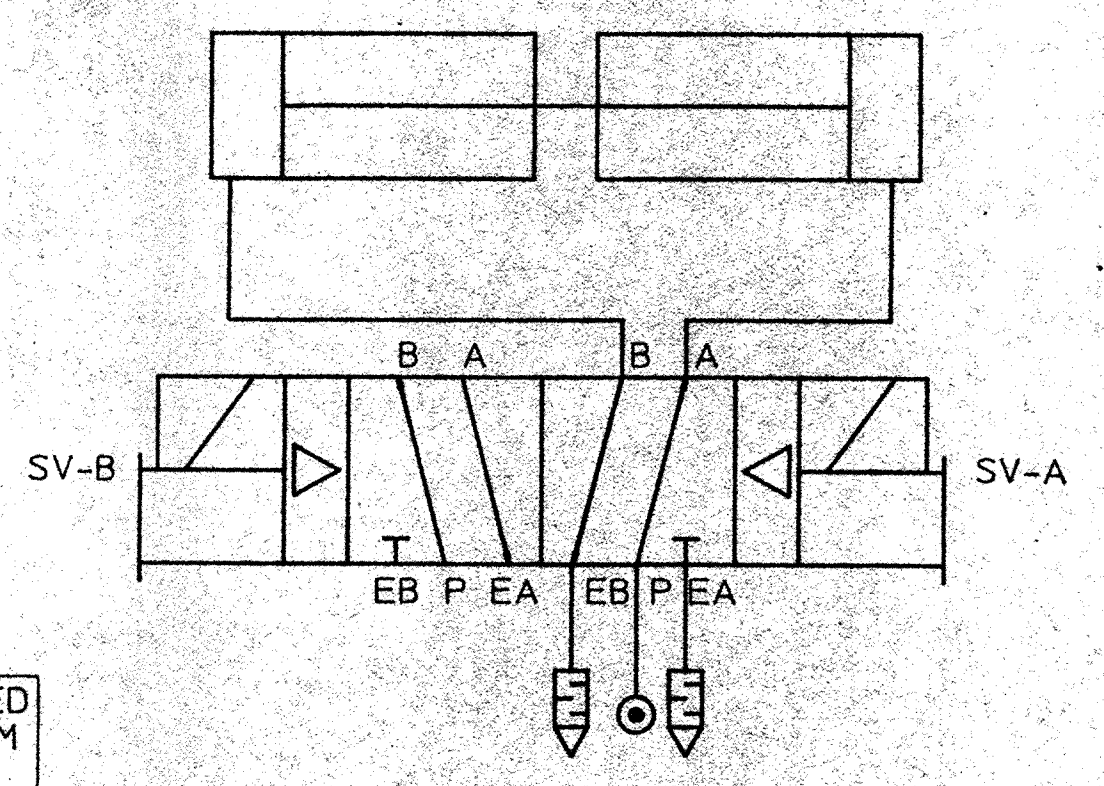
BILL OF MATERIAL



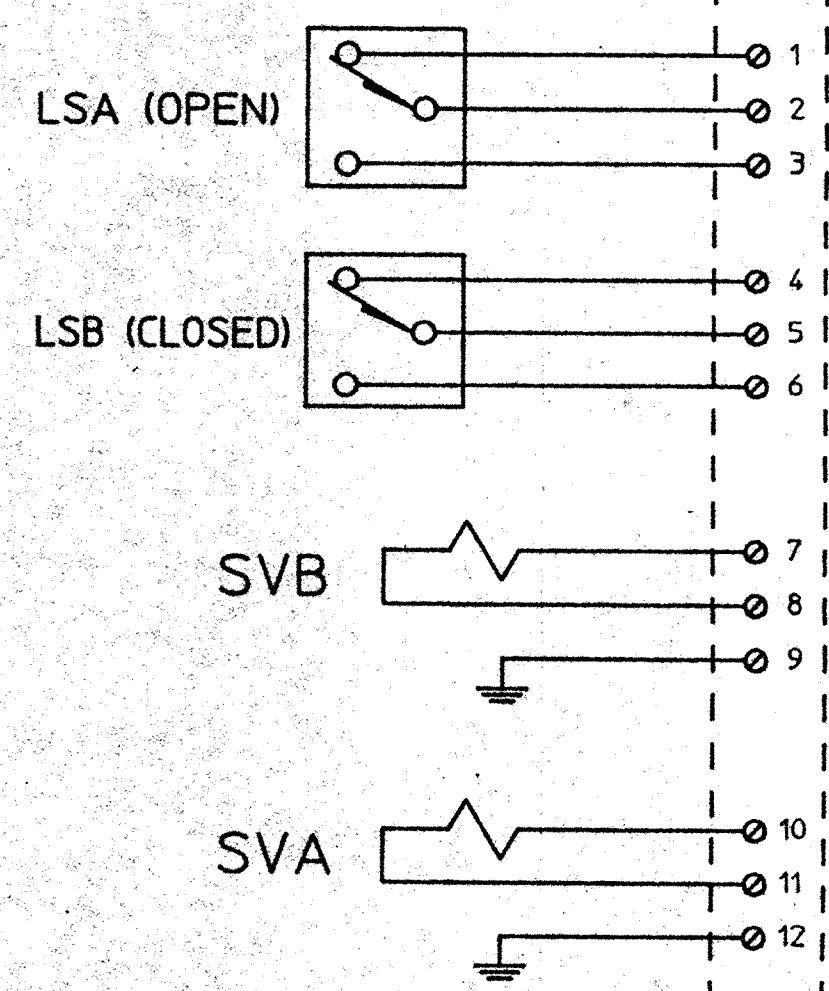
GEARMOTOR
 SEW MODEL: R73D25DT100LS4-KS
 3 H.P. "VARIMOT" VARI-DRIVE
 SPEED RANGE: 8.9-44 RPM
 TEFC 460/230/60/3 VAC
 SERVICE FACTOR: 1.15
 "F" INSULATION

NOTE: THIS ASSEMBLY WILL BE SHIPPED IN TWO PIECES, EVERYTHING FROM ITEM 1.01 UP AND EVERYTHING FROM ITEM 8.02 DOWN, DUE TO HEIGHT.

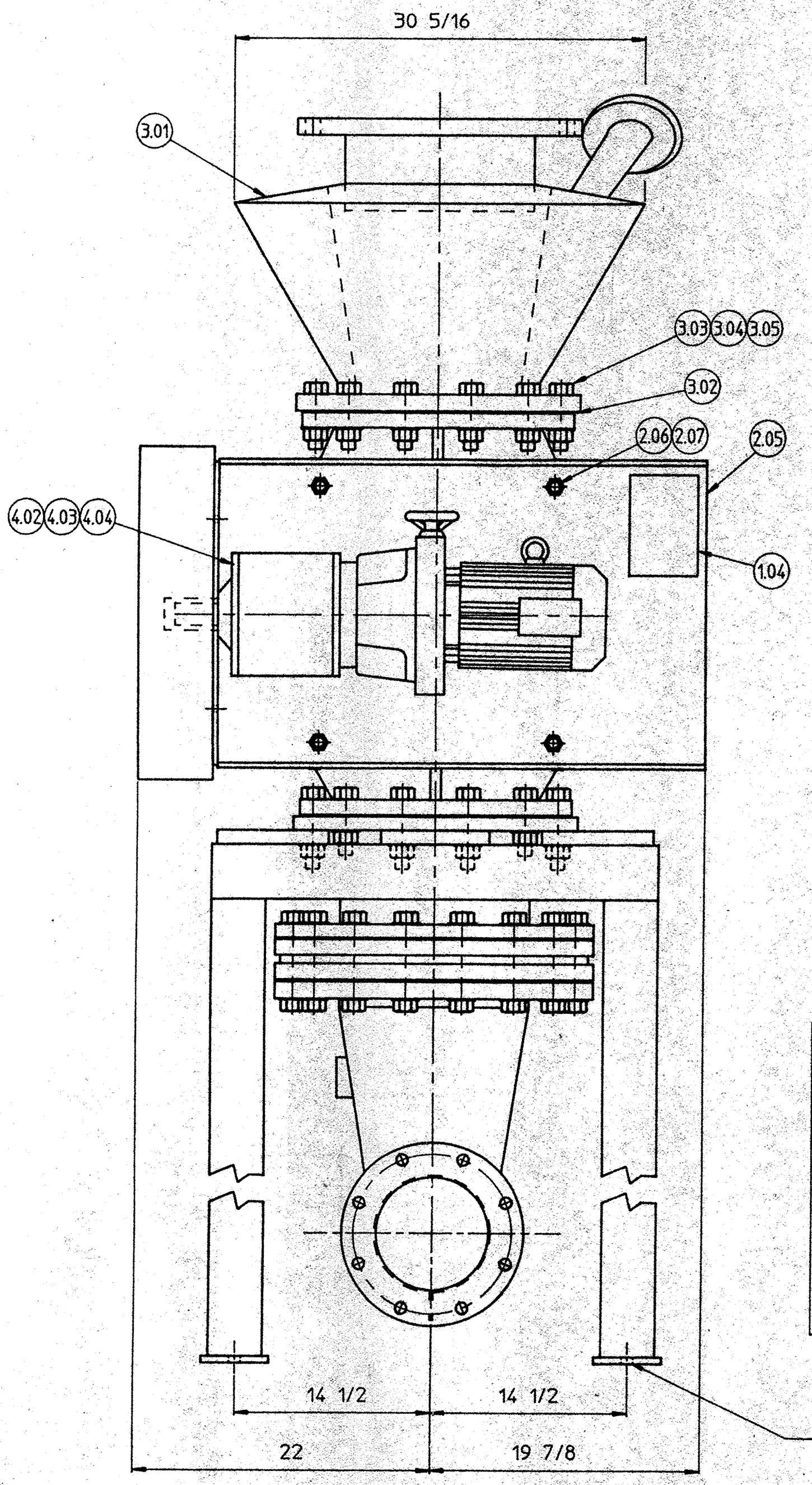
NOTE: FLOW METER AND PRESS. REGULATOR PROVIDED BY PURCHASER.



PIPING DIAGRAM



WIRING DIAGRAM



Buss America

B.A.I. PROJ. 4356 ITEM RCG-480

CLIENT M.W. KELLOGG / PSPC

PROJ. NO. J-6014-02

P.O. NO. 6014-02D1-V221-01

TAGGING: VALVE TAG#: PS2001-220000-34-5034
 WTT#: 3400759
 MOTOR TAG#: PS-2001-220000-30-5138
 WTT#: 30002722

NAMEPLATE DETAIL

SOLENOID VALVE DATA

ASCO TYPE EF55100085
 4-WAY 2-POSITION
 DUAL COIL 120 VAC, CLASS F
 NEMA 7 & 9

LIMIT SWITCH ASSEMBLY DATA

"GO" SWITCH SPDT
 ENCLOSURE: WESTLOCK ACCUTRAK 4040
 NEMA 4, 4X, 7 & 9
 CLASS I & II, DIV. 1 & 2, GROUP C, D, E, F & G

DESIGN DATA

DESIGN PRESSURE: 50 PSI
 ROTOR: 2.4 CU FT/REV @ 100% FILL EFFICIENCY
 INTERNAL SURFACE FINISH: STD
 DESIGN TEMPERATURE: 212°F
 ESTIMATED LEAKAGE: 300 SCFM MAX
 SHOP TEST: PER SPEC. V22-2E-6014 PARAGRAPH 4.2.3M
 ALUMINUM END PLATES
 HARD COAT ALUMINUM BODY
 ROTOR SHAFT DIAMETER: 60mm
 321 S.S. ROTOR
 AREA CLASSIFICATION: UNCLASSIFIED
 ESTIMATED WEIGHT: 2065 LBS
 ROTARY VALVE WEIGHT: 1050 LBS.

(4) 7/8" MTG. HOLES

ITEM	QTY	BAI PART NO.	DESCRIPTION	MATERIAL
100	1	SA.RV.0023	ROTARY VALVE SUBASSEMBLY	
101	1	03-211-0023	ROTOR VALVE, ZGH 480-1-670-AC	ALUMINUM
102	1	02-078-0003	NAMEPLATE, BAI EQUIPMENT TAG	S.S.
103	1	02-078-0015	NAMEPLATE, CAUTION - SYMBOL	S.S.
104	1	02-078-0018	NAMEPLATE, CAUTION - MACHINERY	S.S.
105	12	02-990-0260	DRIVE SCREW, #2X1/4, SS	S.S.
106	2	02-891-0366	TUBE ADAPTER, SS-8-TA-1-8R	S.S.
107	2	02-891-0169	TUBE UNION ELBOW, SS-810-9	S.S.
108	1	02-891-0233	FEMALE RUN TEE, SS-810-3	S.S.
109	3 FT	02-891-0439	PNEUMATIC TUBING, 1/2" X 20 GA.	S.S.
2.00	1	SA.DR.0008	DRIVE ACCESSORIES, 480, SERIES	
2.01	1	02-940-0008	DRIVE GUARD, SERIES 480	ALUMINUM
2.02	4	02-990-0020	HEX HEAD BOLT, 3/8-16 X 1 LONG	C.S. ZINC PLT
2.03	4	02-990-0042	HEX NUT, 3/8-16	C.S. ZINC PLT
2.04	8	02-990-0050	FLATWASHER, 3/8"	C.S. ZINC PLT
2.05	1	03-210-0005	MOTOR MOUNTING PLATE, 480 SERIES	C.S. GALV.
2.06	20 IN	02-990-0058	METRIC THREADED ROD, M20 X 2.5	S.S.
2.07	12	02-990-0061	METRIC HEX NUT, M20 X 2.5	S.S.
3.00	1	SA.LA.4551	LEAKAGE AIR ACCUMULATOR SUBASSEMBLY	
3.01	1	D.212.4551	LEAKAGE AIR ACCUMULATOR, RCG-480	S.S.
3.02	1	02-890-0036	FLANGE GASKET, 14" 150# ANSI	WHITE TEFLON
3.03	12		HEX HEAD BOLT, 1"-8 X 4 LONG	S.S.
3.04	12		HEX NUT, 1"-8	S.S.
3.05	12		FLATWASHER, 1"	S.S.
3.06	3 FT	03-370-0007	MATERIAL HANDLING HOSE, 3"	CLEAR PVC
3.07	2	03-370-0020	CLAMPS FOR 3" HOSE	S.S.
4.00	1	SA.GM.----	GEARMOTOR SUBASSEMBLY	
4.01	1	02-920-----	GEARMOTOR, SEW R73D25DT100LS4-KS	STD
4.02	4	02-990-0027	HEX HEAD BOLT, 5/8-11 X 2 1/2 LONG	C.S. ZINC PLT
4.03	4	02-990-0044	HEX NUT, 5/8-11	C.S. ZINC PLT
4.04	4	02-990-0052	FLATWASHER, 5/8"	C.S. ZINC PLT
5.00	1	SA.CH.080200.FH	CHAIN SUBASSEMBLY	
5.01	1	02-930-0088	SPROCKET, DRIVER, H80SK18	C.I.
5.02	1	02-930-0073	BUSHING, OD TYPE, SIZE SK, 1.625" BORE	C.S.
5.03	1	02-930-0065	SPROCKET, DRIVEN, 80SF40	C.I.
5.04	1	02-930-0074	BUSHING, OD TYPE, SIZE SF, 60mm BORE	C.S.
5.05	4 FT	02-930-0002	CHAIN SINGLE STRAND ROLLER, #80	C.S.
5.06	1	02-930-0006	CONNECTING LINK, #80	C.S.
6.00	1	SA.ST.0008	SUPPORT STAND SUBASSEMBLY	
6.01	1	C.980.4234	SUPPORT STAND, 480, 52 7/8" HIGH	C.S. GALV.
6.02	6		HEX HEAD BOLT, 1"-8 X 4 LONG	S.S.
6.03	6		HEX HEAD BOLT, 1"-8 X 5 LONG	S.S.
6.04	12		HEX NUT, 1"-8	S.S.
6.05	12		FLATWASHER, 1"	S.S.
7.00	1	SA.FS.4278	FEED SHOE SUBASSEMBLY	
7.01	1	D.260.4278	FEED SHOE, RCG-16" 7/8"	S.S.
7.02	1	02-890-0036	FLANGE GASKET, 14", 150# ANSI	WHITE TEFLON
8.00	1	SA.BV.0073	BUTTERFLY VALVE SUBASSEMBLY	
8.01	1	02-610-0073	BUTTERFLY VALVE, 16" NORRIS #R3040-22GG	STD
8.02	1	B.210.4280	TRANSITION PIECE, 14" TO 16"	S.S.
8.03				
8.04	32	02-990-	HEX HEAD BOLT, 1"-8 X 2 1/2 LONG	S.S.
8.05	32	02-990-	FLATWASHER, 1"	S.S.
8.06	1	02-720-0037	SOLENOID VALVE, ASCO, EF55100085	
8.07	2	02-990-0239	SOCKET HEAD CAP SCREW, #10-24 X 1 1/4 LONG	STD
8.08	1	02-893-0146	STREET ELBOW, 90°	C.S. ZINC PLT
8.09	2	02-891-0069	EXHAUST MUFFLER, WITH FLOW CONTROL	BRASS
8.10	5	02-891-0105	MALE CONNECTOR, SS-600-1-4	S.S.
8.11	6 FT	02-891-0438	PNEUMATIC TUBING, 3/8" X 20 GA.	S.S.
8.12	1	02-860-0045	LIMIT SWITCH, WESTLOCK ACCUTRAK 4040	STD
8.13	1	02-890-0051	MOUNTING KIT FOR ACCUTRAK, RPB	S.S.

NOZZLE SCHEDULE

NOZZLE	SIZE	TYPE	CLASS	DESCRIPTION
N1	12"	FF FLANGE	150# ANSI	PRODUCT INLET
N2	8"	FF FLANGE	150# ANSI	CONVEYING AIR INLET
N3	8"	FF FLANGE	150# ANSI	PRODUCT DISCHARGE
N4	3"	FF FLANGE	150# ANSI	VENT CONNECTION
N5	1/2"	FNPT		END PLATE PRESS. SEAL
N6	1/4"	FNPT		BFV OPERATOR SUPPLY

PERFORMANCE DATA

MATERIAL HANDLED: POLYPROPYLENE PELLETS
 BULK DENSITY: 31.2 LBS/CU. FT.
 PRODUCT TEMPERATURE: 140 - 176° F
 OPERATING PRESSURE: INLET-ATM DISCHARGE -TBD
 FEEDER CAPACITY: 60,000 LBS/HR
 ROTOR SPEED: 18 RPM

NOTE: ALL DIMENSIONS ARE IN INCHES.

TAGGING DATA

DESCRIPTION	ITEM #	WTT #	DESCRIPTION	ITEM #	WTT #	DESCRIPTION	ITEM #	WTT #
ROTARY VALVE	PS-2001-220000-34-5034	34000759	ROTARY VALVE	PS-2001-220000-34-5035	34000760	ROTARY VALVE	PS-2001-220000-34-5036	34000761
MOTOR	PS-2001-220000-30-5138	30002722	MOTOR	PS-2001-220000-30-5139	30002723	MOTOR	PS-2001-220000-30-5140	30002724
BUTTERFLY VALVE	YV-53690	43013991	BUTTERFLY VALVE	YV-53691	43013993	BUTTERFLY VALVE	YV-53692	43013995
OPEN SWITCH	ZSO-53690		OPEN SWITCH	ZSO-53691		OPEN SWITCH	ZSO-53692	
CLOSED SWITCH	ZSC-53690		CLOSED SWITCH	ZSC-53691		CLOSED SWITCH	ZSC-53692	
SOLENOID VALVE	YY-53690A & YY-53690B		SOLENOID VALVE	YY-53691A & YY-53691B		SOLENOID VALVE	YY-53692A & YY-53692B	
FEED SHOE	FN-5505		FEED SHOE	FN-5504		FEED SHOE	FN-5503	
LEAKAGE AIR ACC	PS-2001-220000-95-5102	95002058	LEAKAGE AIR ACC	PS-2001-220000-95-5103	95002059	LEAKAGE AIR ACC	PS-2001-220000-95-5104	95002060

BAI PROJECT: 4356
 CLIENT: M.W. KELLOGG/PSPC
 SITE: PASADENA, TX USA
 PROJECT: J-6014-02
 P.O. #: 6014-02D1-V221-01

THE DRAWING NUMBER MUST BE STAMPED, CAST, OR ETCHED ON EVERY PART, ON AN EXPOSED SURFACE THAT WILL NOT INTERFERE WITH ITS FUNCTION.

SURFACE ROUGHNESS UNLESS OTHERWISE SPECIFIED MACHINE ALL SURFACES TO:

TOLERANCES UNLESS OTHERWISE SPECIFIED DECIMALS ARE:
 .125 ± .015 .125 ± .010 .125 ± .005 ANGLES ± 1° FRACTIONAL DIMENSIONS ± 1/64
 ALL DIAMETERS TO BE CONCENTRIC WITHIN .005 T.I.R. OR AS SPECIFIED

THIS DRAWING AND ITS CONTENTS ARE CONFIDENTIAL AND THE PROPERTY OF BUSS (AMERICA), INC.

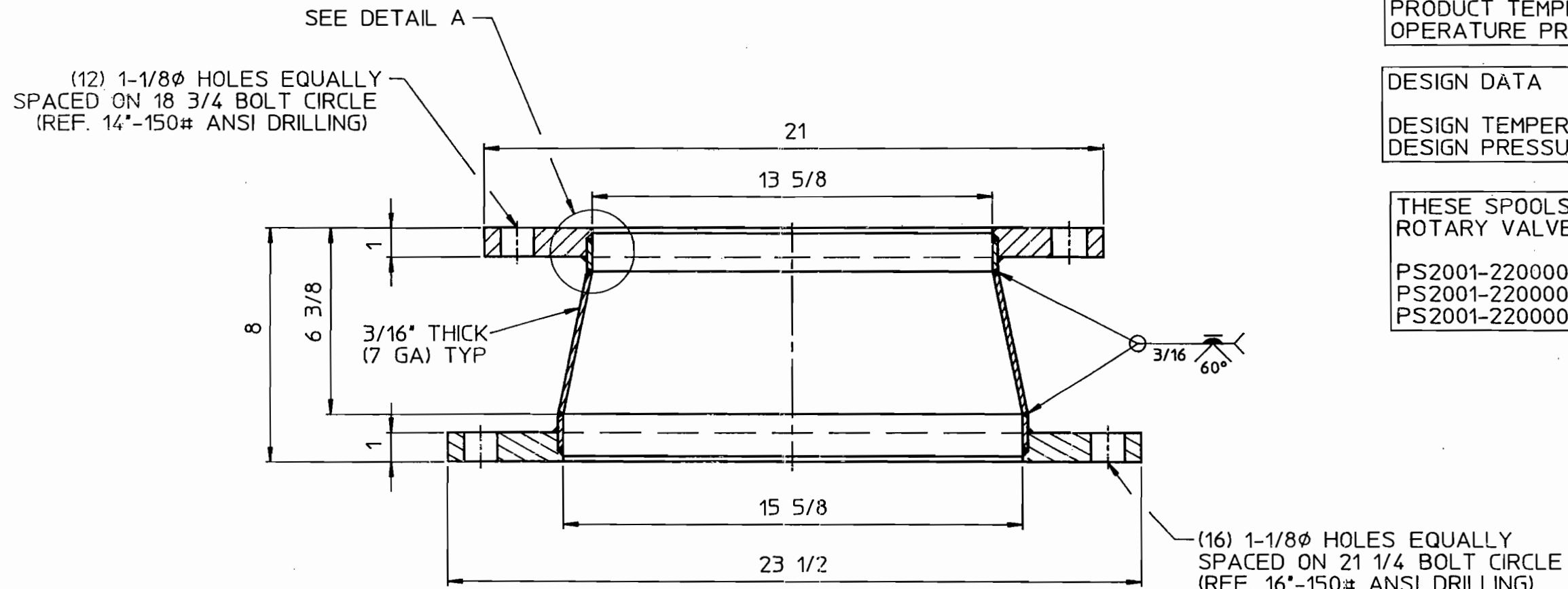
Buss America

Rotor Conveyor Assembly
 RCG-480 W/BUTTERFLY VLV.
 AND LEAKAGE AIR ACCUM.

REF. DWG.: B.A.I. BUSS

DRAWN BY: PNP
 DATE: 9-14-94
 APPROVED:
 SCALE: 1/8"=1"
 DRAWING NUMBER: D 270 4232 3

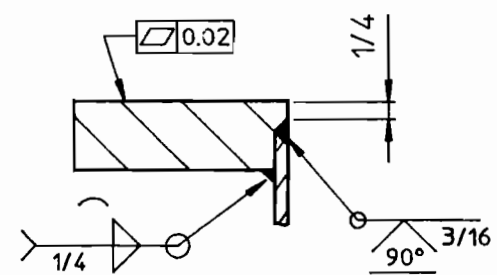
CERTIFIED



OPERATING DATA
 PRODUCT TEMPERATURE: 140°-176° F
 OPERATURE PRESSURE: TBD

DESIGN DATA
 DESIGN TEMPERATURE: 212° F
 DESIGN PRESSURE: 50 PSIG

THESE SPOOLS WILL BE USED WITH
 ROTARY VALVE TAG NUMBERS:
 PS2001-220000-34-5034
 PS2001-220000-34-5035
 PS2001-220000-34-5036



DETAIL A
 TYPICAL 2 PLACES

NOTES:
 1. MATERIAL: 304 S.S.
 2. ALL INTERNAL WELDS TO BE GROUND SMOOTH.
 3. REMOVE ALL BURRS, BREAK SHARP EDGES AND CORNERS.
 4. BOLT HOLES TO STRADDLE SAME CENTER LINE.
 5. ESTIMATED WEIGHT: 132 LBS.

909T

ACCEPTANCE FOR ENGINEERING USE

THIS DOCUMENT IS:

ACCEPTED (AC)
 ACCEPTED WITH COMMENTS (AC-C)
 NOT REVIEWED-ACCEPTED (NR)
 NOT ACCEPTED (NAC)

ACCEPTANCE DOES NOT RELIEVE VENDOR FROM FURNISHING MATERIAL IN CONFORMANCE WITH ORDER. REFER TO VDR-1 FOR FULL DEFINITION OF ACCEPTANCE CONDITIONS.

TECHNOLOGY *ST* SIGNED *[Signature]* DATE *4/20/95*

CERTIFIED

REF. DWG.: D-270-4232
 B.A.I.
 BUSS

THE DRAWING NUMBER MUST BE STAMPED, CAST, OR ETCHED ON EVERY PART, ON AN EXPOSED SURFACE # THAT WILL NOT INTERFERE WITH ITS FUNCTION.

THIS DRAWING AND ITS CONTENTS ARE CONFIDENTIAL AND THE PROPERTY OF BUSS (AMERICA), INC.

SURFACE ROUGHNESS
 UNLESS OTHERWISE SPECIFIED MACHINE ALL SURFACES TO- MICROINCHES

TOLERANCES
 UNLESS OTHERWISE SPECIFIED DECIMALS ARE:
 .X = ±.1 .XXX = ±.010
 .XX = ±.05 ANGLES = ±1°
 FRACTIONAL DIMENSIONS ± 1/64

ALL DIAMETERS TO BE CONCENTRIC WITHIN .005 T.I.R. OR AS SPECIFIED

REV	DATE	BY	DESCRIPTION
1	3/22/95	EEO	CHANGED FLG'S, ADDED NOTES PER CLIENTS COMMENTS

Buss America Buss (America), Inc.
 230 Covington Drive
 Bloomington
 Illinois 60108

DRAWN BY: EEO
 DATE: 3/22/95
 APPROVED:
 SCALE: 1/4 = 1
 DRAWING NUMBER: B 210 4280 1

SPOOL 14" TO 16"