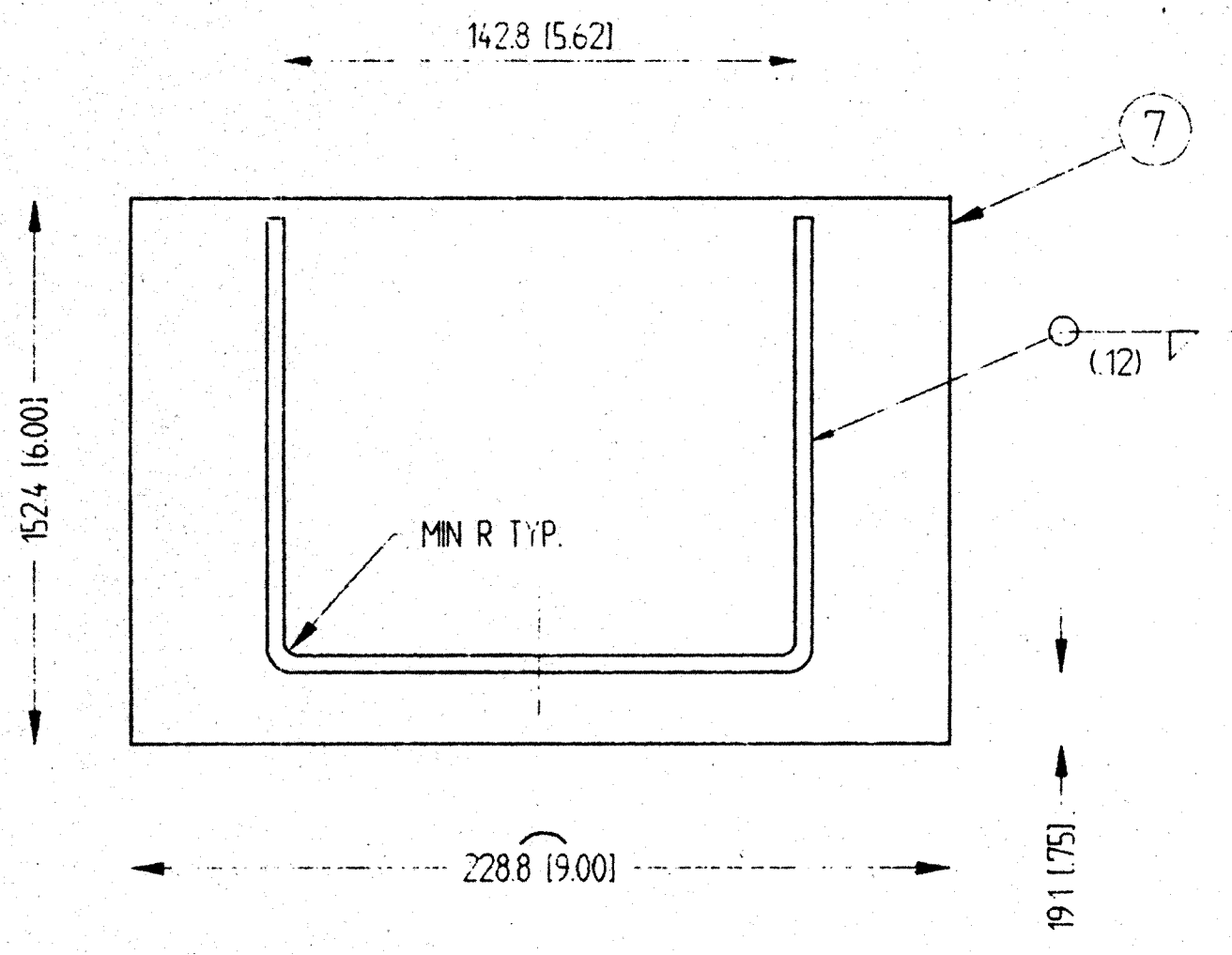
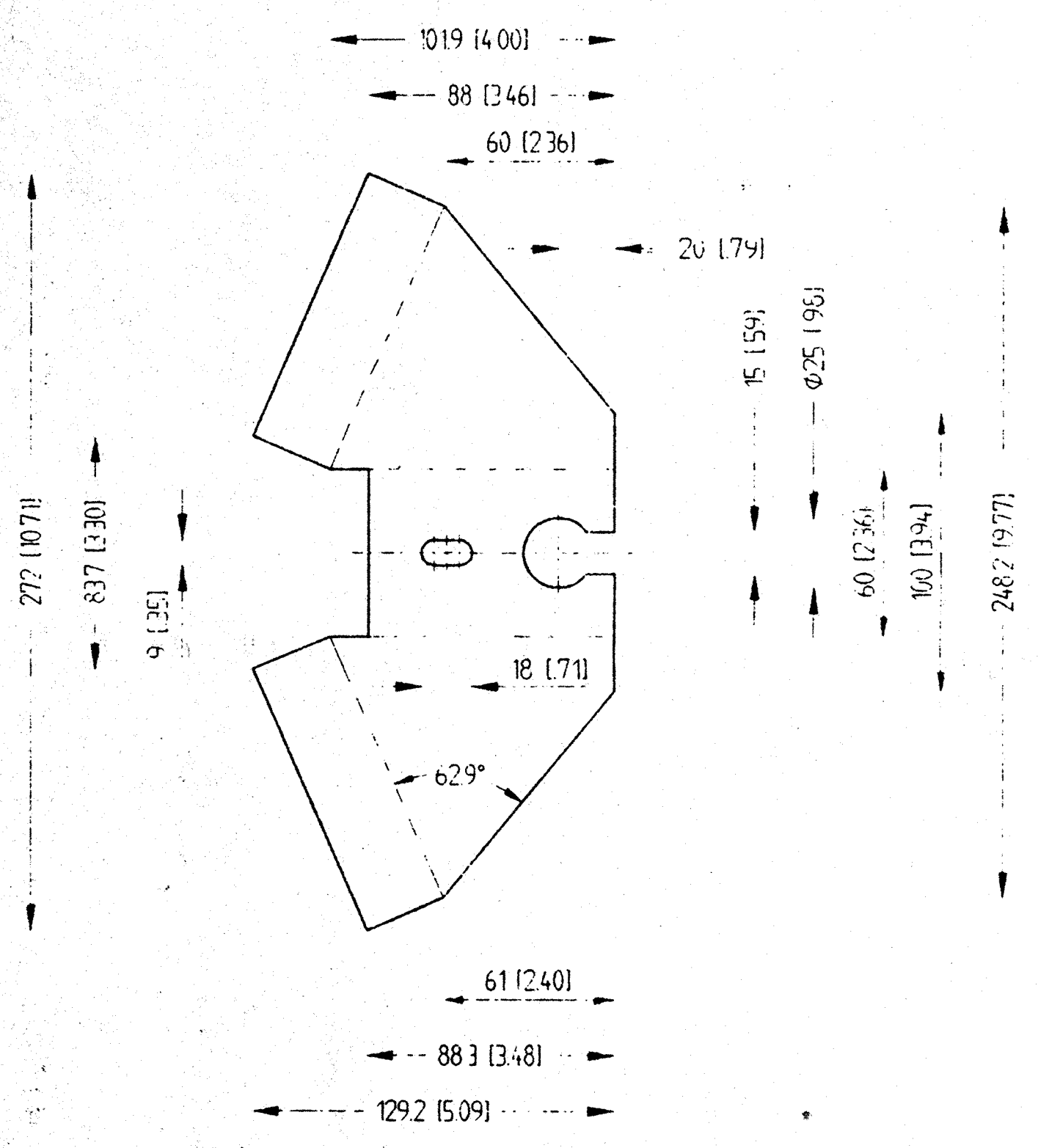
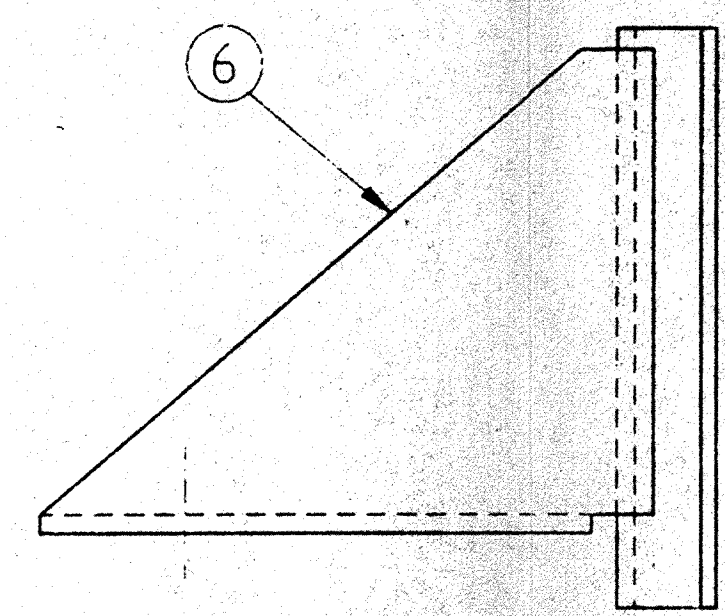


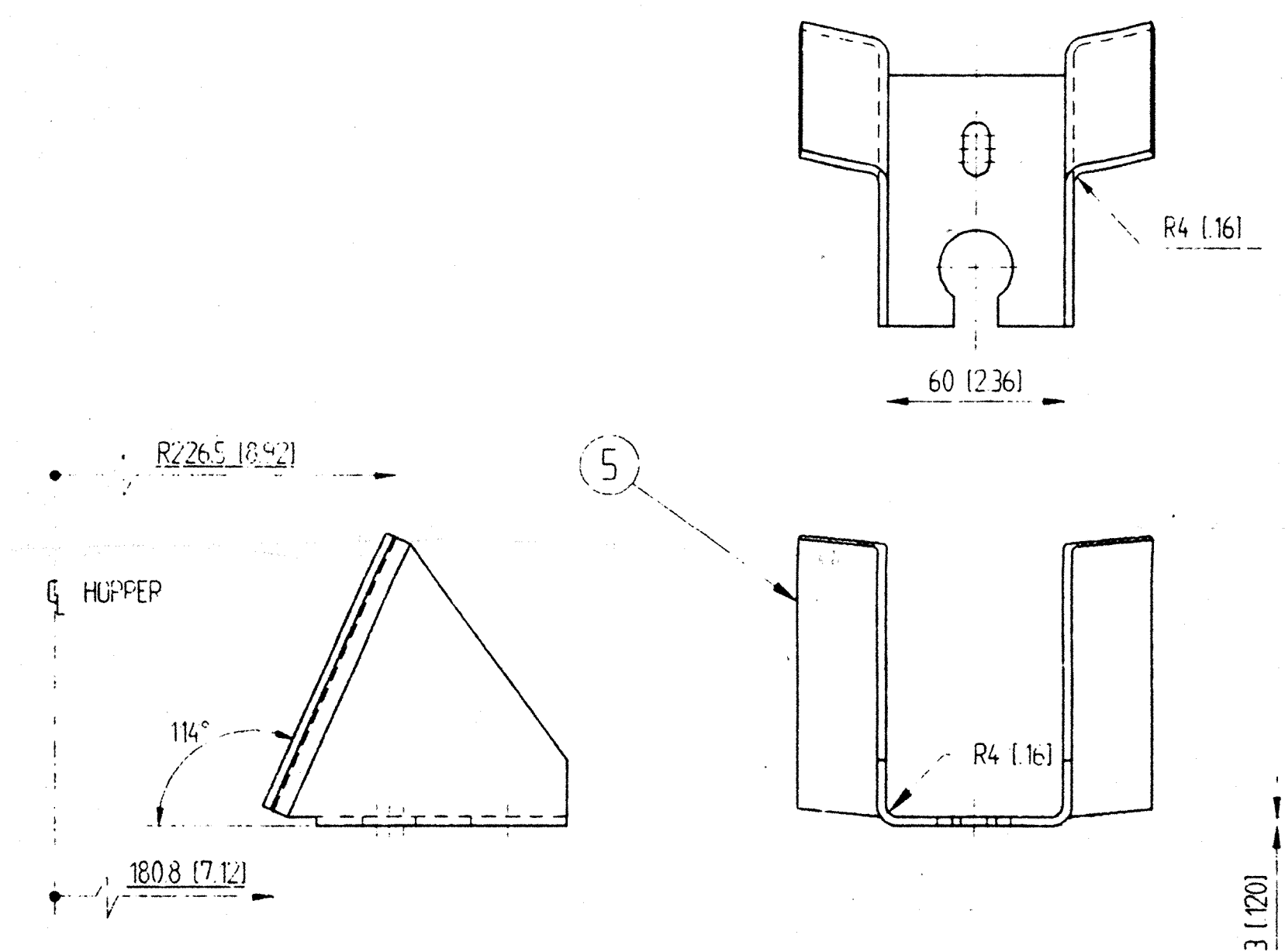
DEVELOPMENT SEQ. #6



DETAIL F
 4X
 SCALE 12



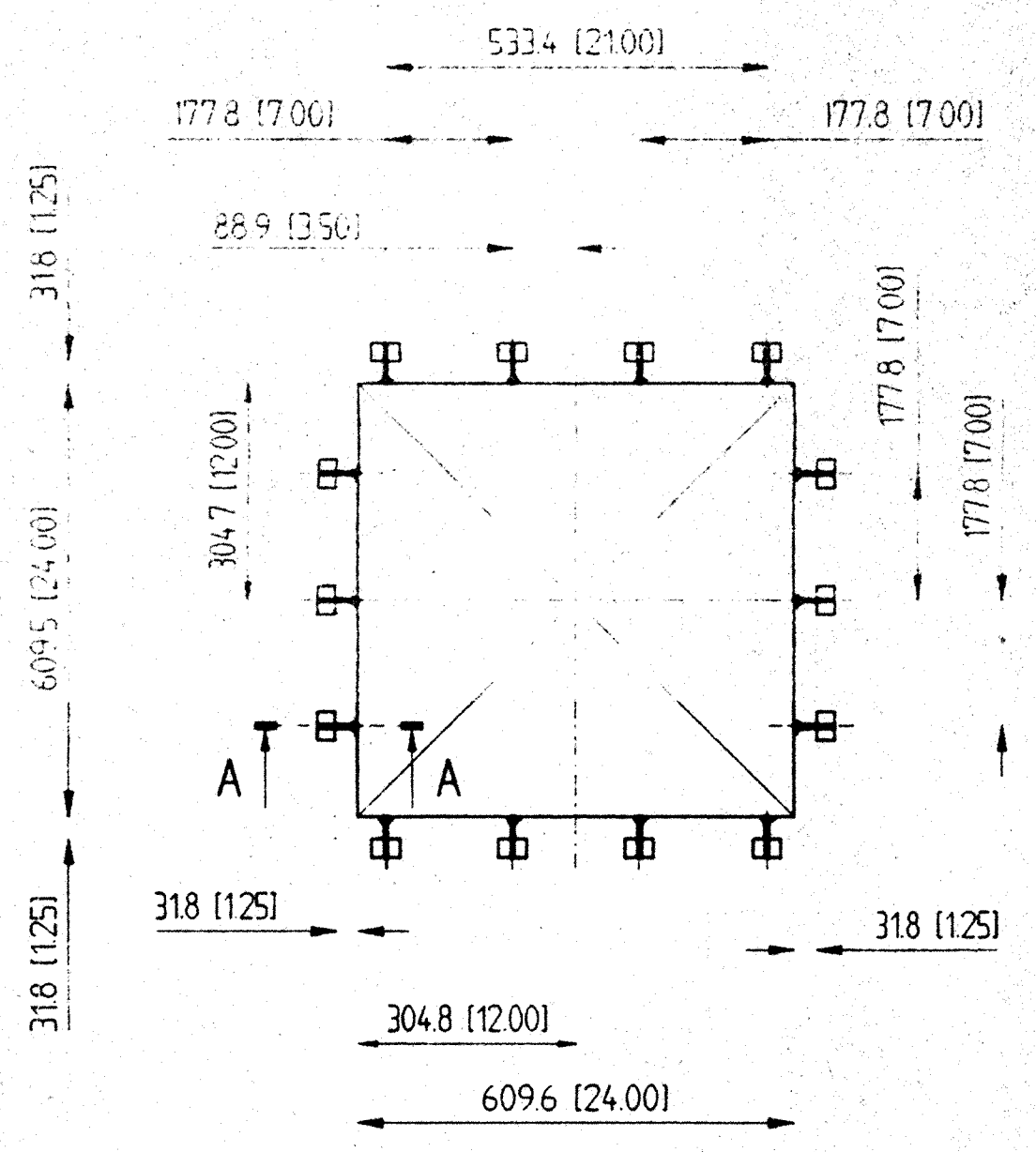
DEVELOPMENT



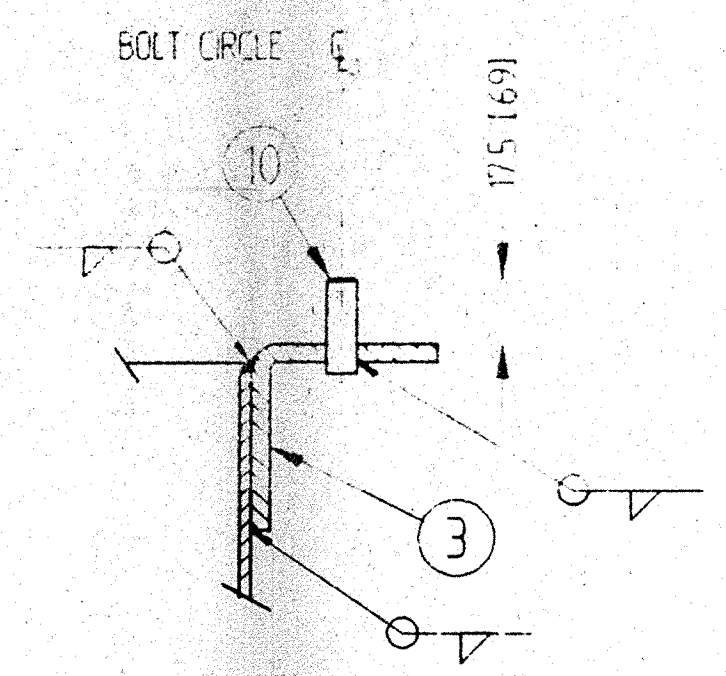
HINGE DETAIL
 SCALE 12

THE INFORMATION HEREIN IS THE PROPERTY OF K-TRON INTERNATIONAL AND IS TO BE USED IN CONFIDENCE ON THE UNDERSTANDING THAT ITS USE SHALL BE LIMITED TO PURPOSES AUTHORIZED IN WRITING BY K-TRON INTERNATIONAL. COPYRIGHT © 1999

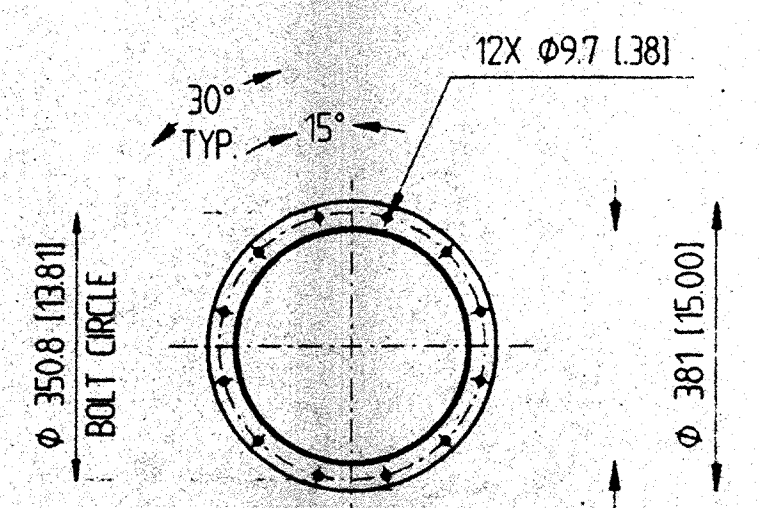
1014-0201-V390-01		ISS# 95-5074		DRAWING REF.	
REV	QTY	ITEM NUMBER	DESCRIPTION	REPLACED BY	
COPIES FROM:			REPLACES:	TOLERANCES	
R	EST 1209	DATE	OWN/CHK/APD	D	EST 1209
A	EST 1209	94103			950622
B	EST 1209	950131			04L 04L 11GM
C	EST 1209	950412			04L 04L 11GM
K2V5100				SCALE	
HOPPER ASYM 3965L (140CF)				DRAWN 04L 94-11-03	
W/24" SQ. ACCESS. (2) 2"-150# FLS. (4) MOUNTING BRACKETS				CHECK 04L 94-11-03	
FILE NO. 0209005D				APPD	
WEIGHT				KG	
LANGUAGE E				SHEET 3 OF 4	
K-TRON NORTH AMERICA				D 13209005	
ROUTES 55 & 553				R	
PITMAN, NJ 08071 USA				D	



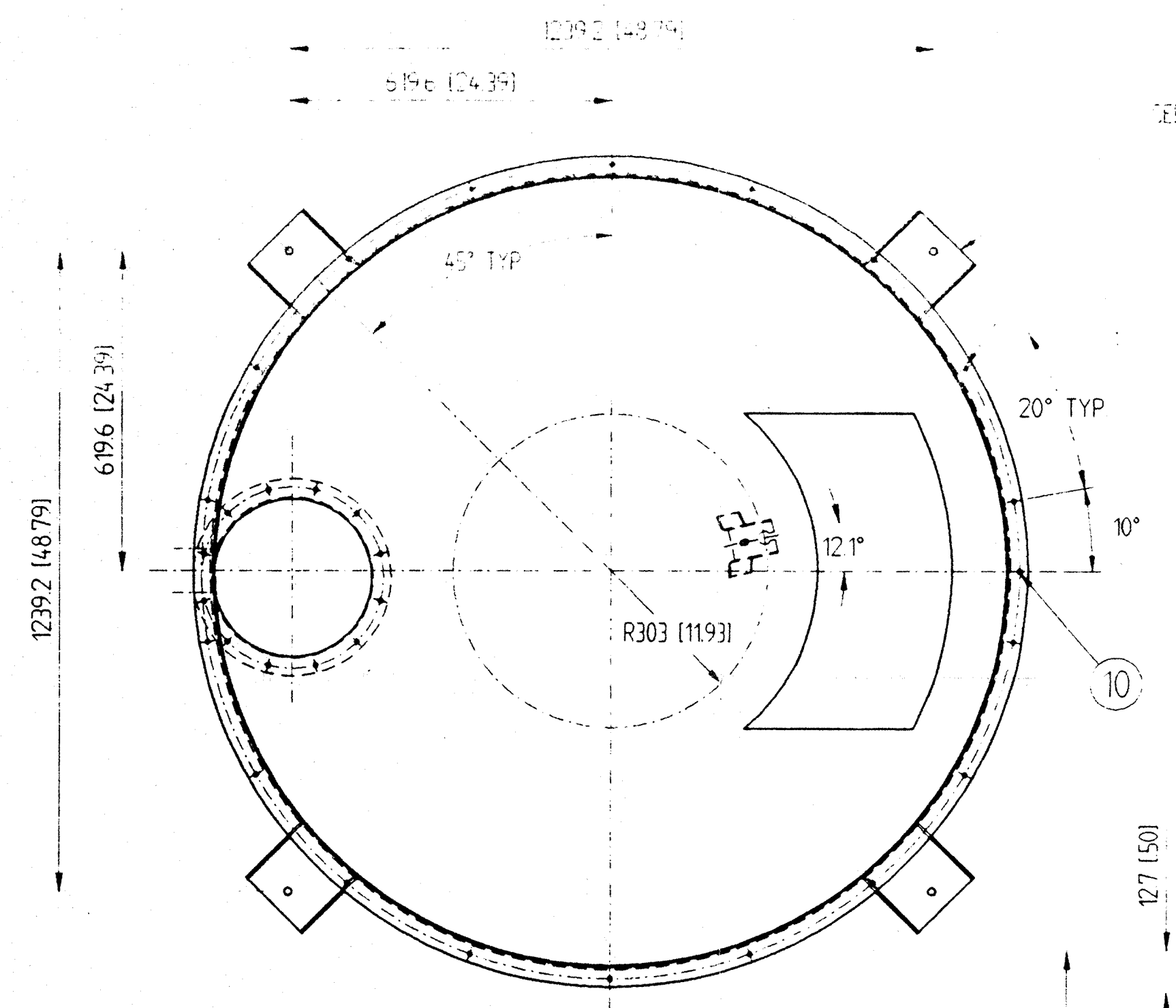
VIEW B
SCALE 12



DETAIL C
SCALE 12

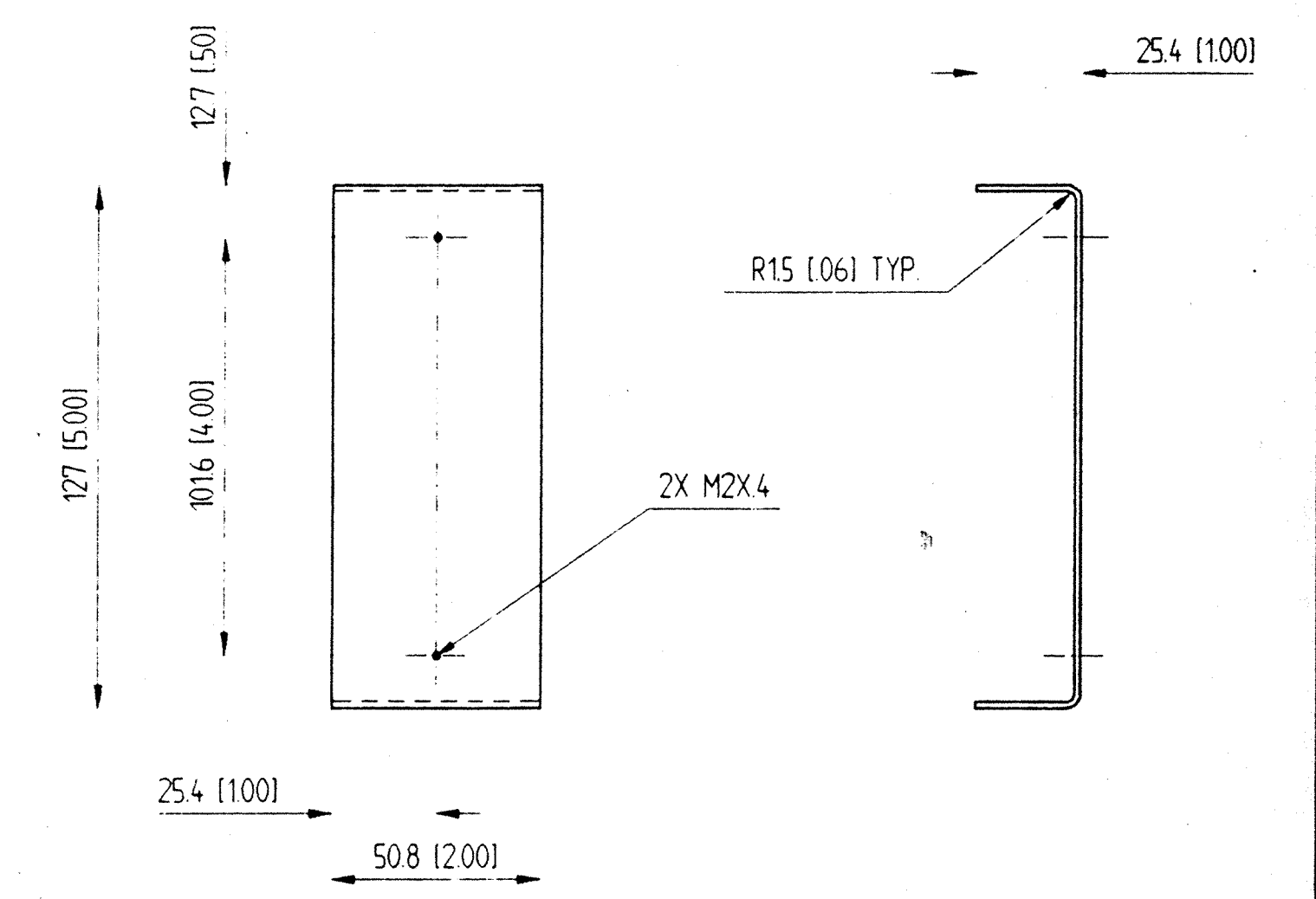


VIEW E-E
SCALE 12

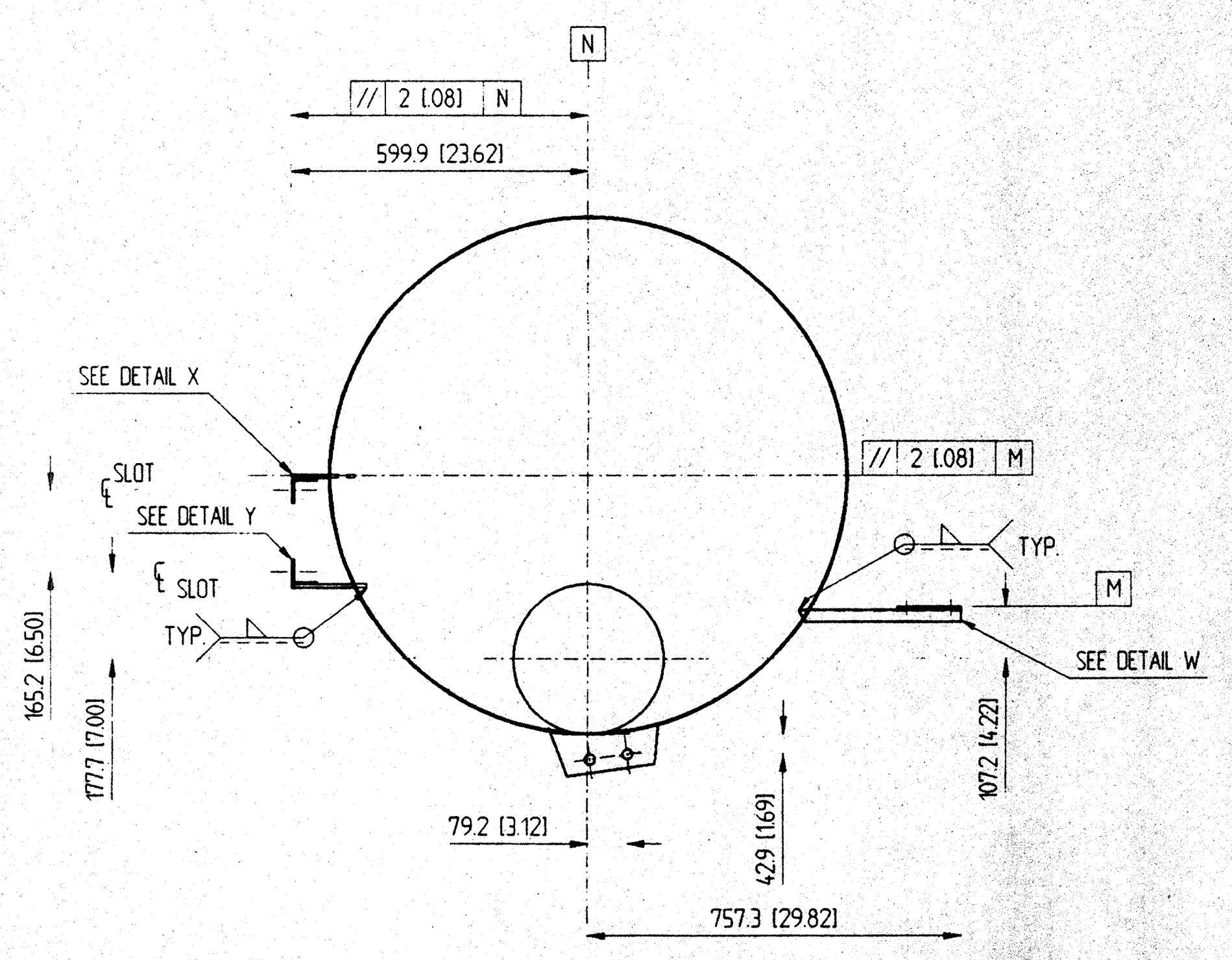


VIEW H-H

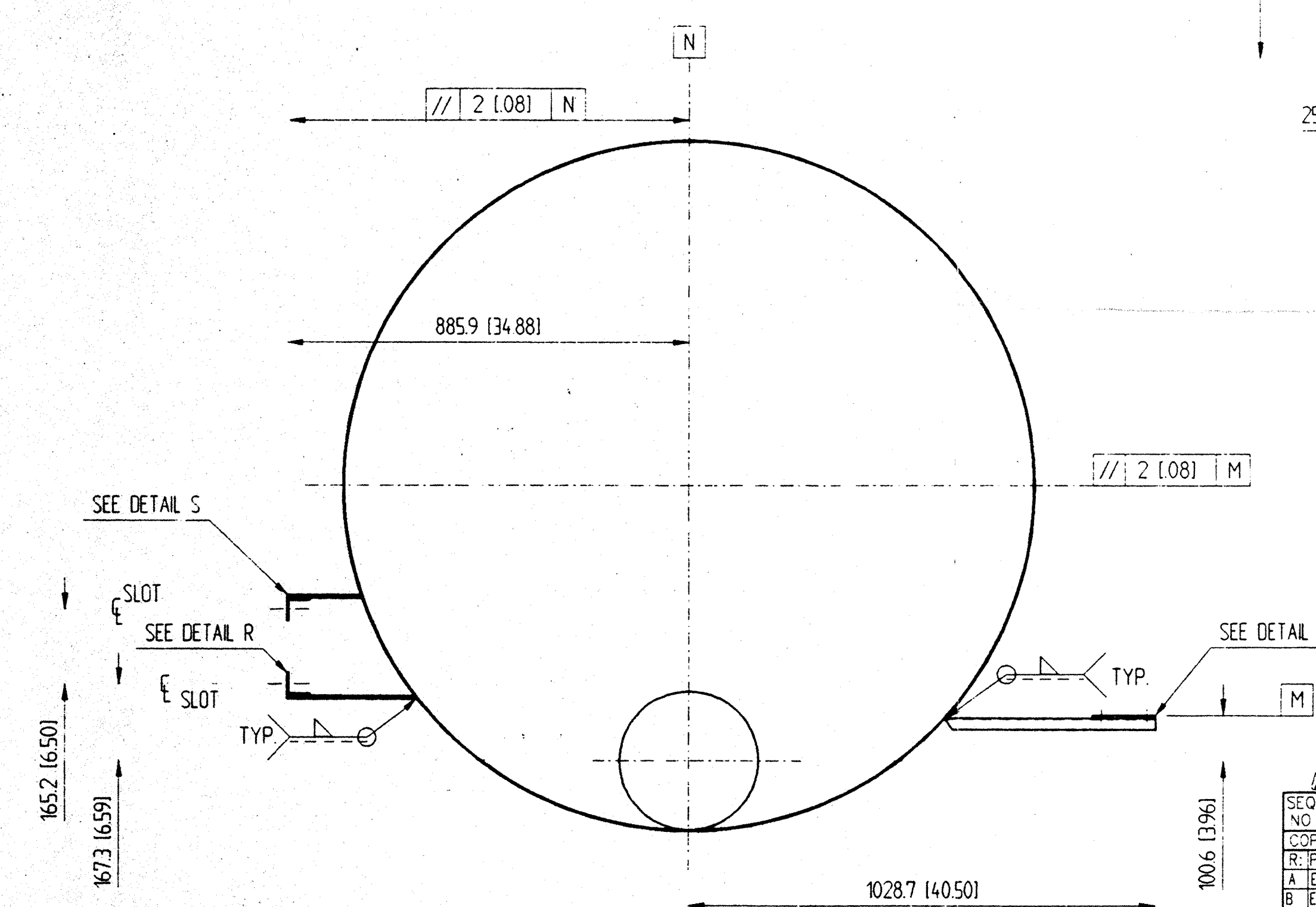
SEE DETAIL P
16 HOLES EQUALLY SPACED ON A Ø 574.8 (22.63) BOLT CIRCLE



DETAIL SEQ. #12
SCALE 12



VIEW K-K



VIEW L-L

6014-0251-V390-01 16cm 23-5014

SEQ NO	QTY	ITEM NUMBER	DESCRIPTION	DRAWING REF.
A	ES13209	94103		
B	ES13209	95031		
C	ES13209	95042		

SCALE	DRAWN	DATE	BY
1:10	DL	94-11-03	

FILE NO	WEIGHT	LANGUAGE
02090050	KG	E

K-TRON NORTH AMERICA
ROUTES 55 & 553
PITMAN, N.J. 08071 USA

D 13209005 R D