

MATL.	WT. LBS. ROUGH	WT. LBS. FIN.	QTY	SYMBOL	DESCRIPTION	PT.	MATL.	WT. LBS. ROUGH	WT. LBS. FIN.	QTY	SYMBOL	DESCRIPTION	PT.
			2	319429	HOLDER	48					HJ-4200	HJ-TURBINE ASSEMBLY	1
			2	319430	GROUNDING BRUSH	49							
			1	HJ-4260	STEAM CHEST BRKT. ASSY.	1							
			1	HJ-2080AS	ROTOR ASSEMBLY	2							
			1	HJ-4223	NOZZLE RING ASSEMBLY	3							
			1	HJ-4253	DIAPHRAGM ASSEMBLY	4							
			1	HJ-4241	SEAL LABYRINTH ASSEMBLY	5							
			1	HJ-4248	HYDRAULIC TRIP ASSEMBLY	6							
			1	HJ-4280	GOVERNOR DRIVE ASSEMBLY	7							
			1	HJ-4270	TILTING PAD BEARING ASSY.	8							
			1	HJ-4270A	TILTING PAD BEARING ASSY.	9							
			2	HJ-4288	OIL GUARD ASSEMBLY	10							
			1	HJ-4288A	OIL GUARD ASSEMBLY	11							
			2	HJ-4288B	OIL GUARD ASSEMBLY	12							
			1	HJ-4275	RING RETAINING ASSEMBLY	13							
			1	HJ-4275A	RING RETAINING ASSEMBLY	14							
			1	PM-1184A	THRUST BEARING ASSEMBLY	15							
			1	HJ-4210	INSTRUMENTATION ASSEMBLY	16							
			3	012086	PIPE PLUG SQ. HD. 1/8-27N.P.T.	17							
			24	001041	NUT SFASH 1.50-8	18							
			24	GP-586G	WASHER	19							
			4	003050	SCREW CAP GO. 50-13x1.50	20							
			2	010213	PIN STRAIGHT .375 DIA. x1.00	21							
			2	PD-402CF	NUT CAP	22							
			12	001042	NUT SFASH 1.75-8	23							
			14	GP-586H	WASHER	24							
			50	001092	NUT FAS 1.00-8	25							
			12	004634	STUD CONT. THD. 1.00-8x6.25	26							
			5	012113	PLUG ROUND HD. .50	27							
			1	012090	PLUG SOL. SQ. HD. .75	28							
			1	HJ-549CN	COVER	29							
			12	005049	BOLT HEX FAS .50-13x1.25	30							
			1	320052	PKG. SHT. 18.50 SQ. X.010	31							
			6	014234	KEY 1/4x3/8x9/16 LG	32							
			12	010172	PIN STRAIGHT 1/8 DIA. x 5/16 LG	33							
			4	003139	SCR SET SQ. HD. F. DOG. 125-74-00	34							
			4	003181	SCR SET CUP PT. .25-20x.25	35							
			2	310021	PIN SPG. SLOT .25 x .50	36							
			1	010193	PIN STRAIGHT .250 x .62	37							
			2	003187	SCR SET. SOC CUP. 3/16-18 x .50	38							
			2	010211	PIN STRAIGHT .380 x .75	39							
			4	003126	SCR SET SQ. HD. F. DOG. 75-10-3-00	40							
			2	003135	SCR SET SQ. HD. F. DOG. 100-8-4-50	41							
			1	311332	RELIEF VALVE LOWER LCT-20.75 SET 5	42							
			1	KJ-588DJ	GUARD	43							
			2	GP-586F	WASHER	44							
			2	00104C	NUT SFASH 1.25-8	45							
			2	KJ-298BT	SHIM	46							
			1	320052	PKG. SHT. 5.50 DIA. X.010	47							

**NOTES:**

- DESIGNED TOTAL DIAMETRICAL AND AXIAL CLEARANCES ARE INDICATED IN TABLE EXCEPT INTERSTAGE AND GLAND SEAL LABYRINTHS. THEY ARE SHOWN ON DELAVAL DWG. HJ-4241. + INDICATES CLEARANCE.
- TOTAL DESIGNED END PLAY IS .160 (COLD).
- FOR LIFTING ARRANGEMENT OF TURBINE UPPER HALF AND ROTOR ASSEMBLY SEE DRAWINGS LISTED.

ORDER NO.	DWG.
707078-79	HJ-4295
707084-85	HJ-4295A
708219-20	HJ-4295 H
708223-24	HJ-4295 J

BY	DATE	PT.	DESCRIPTION	DATE	BY	CHK	WHY
B/M	7	PT. #48 & 49 ADDED	3-2-82	KEEJ		F-180	
A-B	7	NOTE REVISED	11-18-81	JCP		F-413	
B/M	GA	QTY. PT. #42 WAS 2	9/18/81	JJO		H-1	
B/M	G	ADDED PTS. #44 THRU #47	1-10-77	NES		214	G
#115	A-B	TRIP SETTING WAS .120	7-25-75	AB		214	R
B/M	H	PT. #42 ADDED	7-25-75	AB		214	R
B/M	3A	PT. #10 QUANTITY WAS 1	5-2-75	B.K.		214	R
B/M	3	PTS. #36 THRU #41 ADDED	5-2-75	B.K.		214	R
B/M	2C	PT. 3E ADDED	4-8-75	WES		214	R
C-5	2B	.120 CLEARANCE ADDED	4-8-75	B.K.		214	T
A-B	2A	TRIP SETTING ADDED	4-8-75	B.K.		214	J
B/M	2	PT. #34 ADDED	4-8-75	B.K.		214	J
B/M	1	ADDED DTL. F & PT. NOS 32 & 33	1/23/75	F.A.S.		214	J
E.C.Q.NO.	ZONE	CHG	ALTERATION	DATE	BY	CHK	WHY

CERTIFIED FOR CONSTRUCTION

SEE DE3 E6.16.2 FOR TOL'S ETC NOT SPECIFIED

FEDERAL CODE IDENT NO. 16712

TRENTON, N. J. 08602 221

TITLE HJ-TURBINE ASSEMBLY

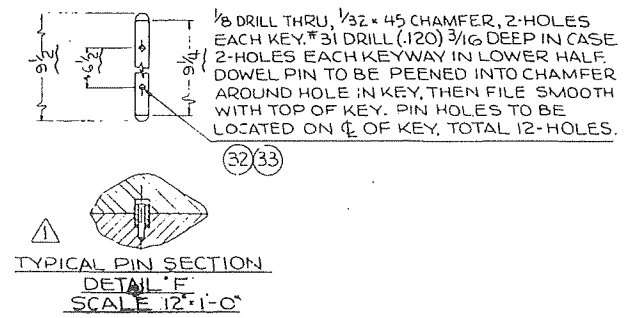
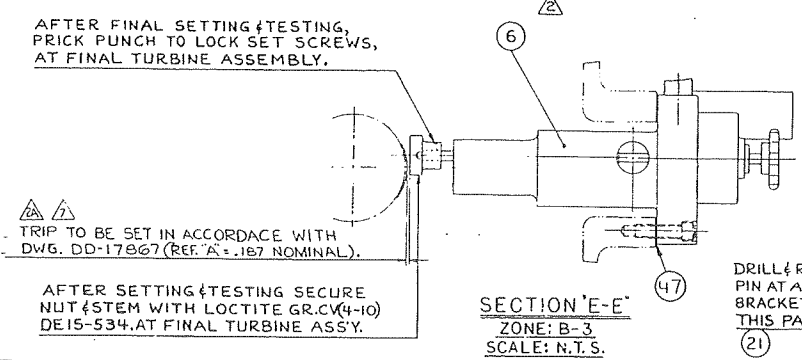
SCALE: 3"=1'-0" AS NOTED 1ST ORDER 707078-9

DRAWN B.K. 11-4-74 SHEET NO. 1 OF 1

CHECKED [Signature] 11-15-74

ISSUED [Signature] 11-22-74

SYMBOL HJ-4200



AFTER FINAL SETTING & TESTING, PRICK PUNCH TO LOCK SET SCREWS, AT FINAL TURBINE ASSEMBLY.

AFTER SETTING & TESTING SECURE NUT & STEM WITH LOCTITE GR. CV (4-10) DE15-534. AT FINAL TURBINE ASSY.