

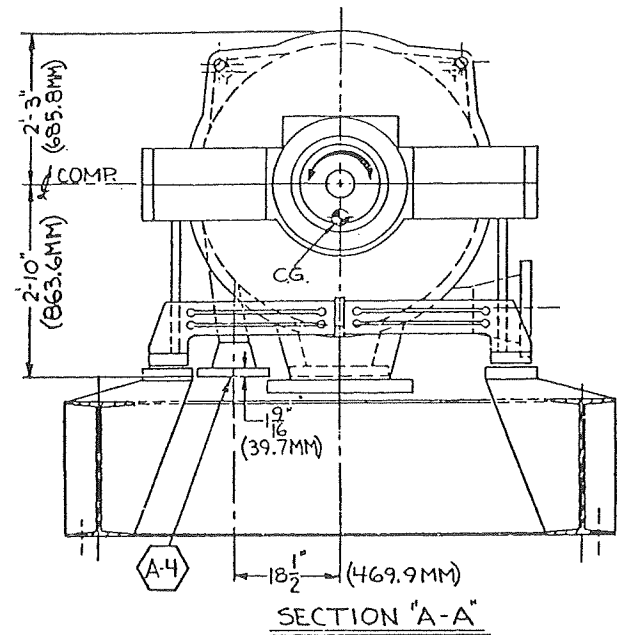
- REF. DWGS.
- UNIT PIPING TGD-4421 BG
 - UNIT OIL & CONTR. DIAG. TGA-4421 BL
 - ST. SEAL DIAG. TGB-4421 BH
 - WIRING DIAG. TGF-4421 BH
 - INSULATION TGA-4422 BL
 - MAX. ALLOW. PRESS. & MOMENT. DD-20534
 - FLUID PROP. CORRECTING DIAG. DD-20538
 - THERMAL STRESS DD-20536
 - LIFTING ARRGT. AJ-4295H

EST. LIFTING WEIGHTS
 1" & 2" NOZZLE VALVE 1350 LBS

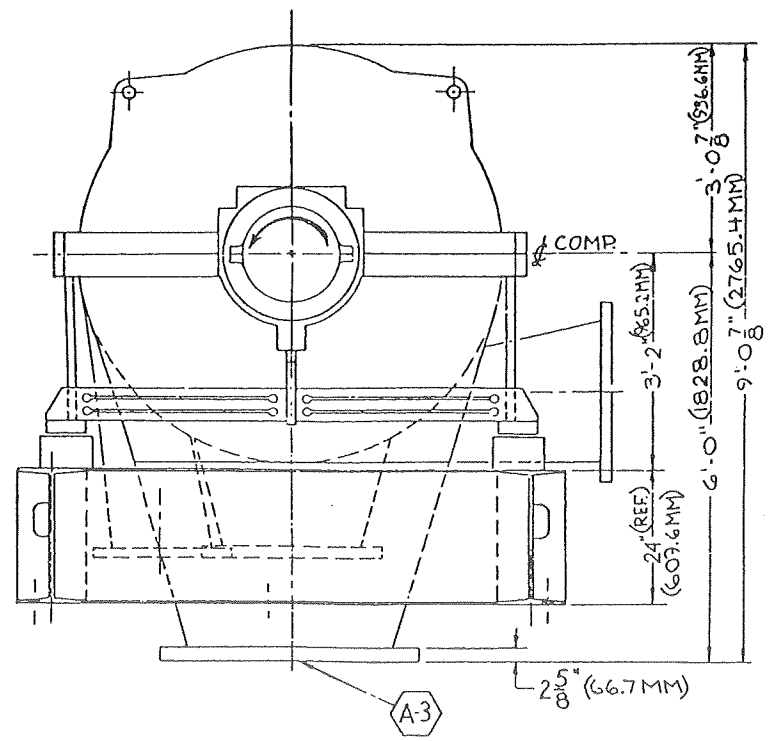
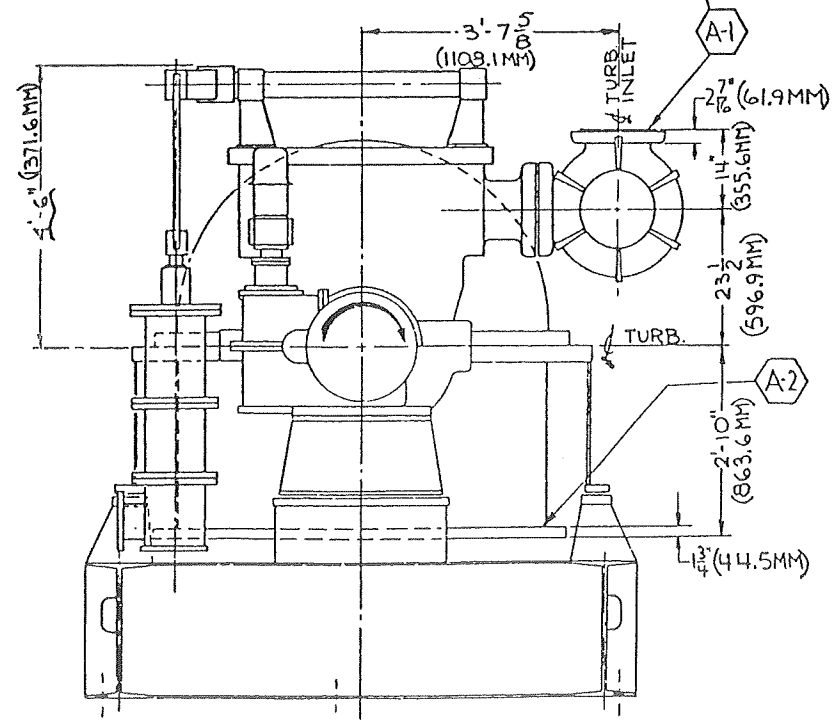
ZONE	CHG	ALTERATION	DATE	BY	CHK	WHY

CERTIFIED FOR CONSTRUCTION 1/29/92-1/1
 SEE DD-20014 FOR T.O.I.'S ETC NOT SPECIFIED
 SEE DD-20019 FOR IDENTIFICATION MARKINGS
 OEP 22.5
Transamerica Delaval
 TRENTON, N.J. 08650
 TITLE: OUTLINE TURBINE
 SCALE: 1"=1'-0" AS NOTED 1ST ORDER
 DRAWN: 9/1/87 CC/CS
 CHECKED: 9/1/87 64/CS
 ENG. APP: 9/1/87 JS
 ISSUED: 9/2/87
 SHEET NO. 1 OF 1
 SYMBOL: TGA-4425 AV
 2 SHEETS TO 707075 AIR

QTY	MAKE FROM	MATL	WT LBS		QTY	SYMBOL	DESCRIPTION	PT
			ROUGH	FIN.				



SPRING SUPPORT FOR VALVE NOT SUPPLIED BY DELAVAL, INCLUDE WT. OF VALVE IN PIPE HANGER CALCULATION WEIGHT - 1350 LBS.



M.W. KELLOGG
 THIS DOCUMENT APPLIES TO:
 T.O. 30. 605586 & 605587
 M.W.K. JOB NO.: 6239-01 OR 6239-02
 ITEM NO.: 101 J
 SERVICE: AIR
 CLIENT: PEMEX
 JOB LOC.: SALINA CRUZ OR CAMARGO MEX
 M.W.K. REQ. NO. 6239-01-J21-101 OR 6239-02-J21-101
 PEMEX NO. Q-182-41-01 OR Q-780-41-02
 WE CERTIFY THIS IS A DUPLICATE DRAWING / DOCUMENT OF THAT SUPPLIED ON JOB 5302.

A-2	IC	ADDED CUST. I.D.	7/29/81	R/C	R/C	C-246
ZONE	CHG	ALTERATION	DATE	BY	CHK	WHY

CERTIFIED FOR CONSTRUCTION
 SEE DD-20014 FOR TOL'S ETC NOT SPECIFIED
 SEE DD-20019 FOR IDENTIFICATION MARKINGS



TITLE		OUTLINE	
SCALE 3/4" = 1'-0"		1ST ORDER	
DRAWN	ECM	7/20/81	605586-87
CHECKED	R/C	7/23/81	SHEET NO. 4 OF 4
ENG. APP.	M/H	7/23/81	SYMBOL
ISSUED	WRS	7/24/81	CG-4099FV

FEDERAL CODE IDENT. NO. 16712

DWG D-73-16B

D
C
B
A